

Installation Instructions

APARTMENT DOOR KNOCKER WITH VIEWER

FOR USE ON EXTERIOR OR INTERIOR DOORS OF HOMES,
CONDOMINIUMS, APARTMENTS AND OFFICES

USE TEMPLATE
BELOW FOR EASY
INSTALLATION OF
DOOR KNOCKER.

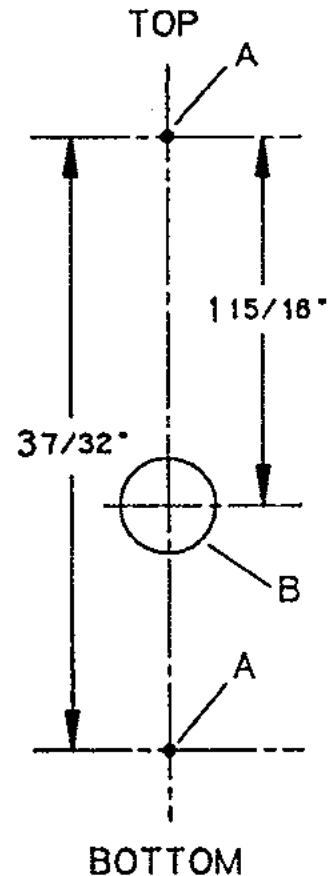
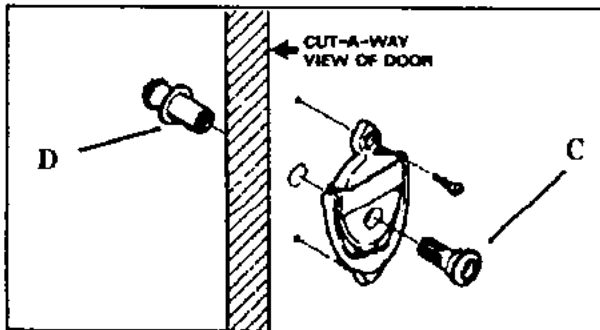
02-31221-605 (BRIGHT)
02-31221-609 (ANTIQUE)
02-31221-612 (BRONZE)
02-31221-613 (DK. BRONZE)
02-31221-626 (CHROME)

02-31241-605 (BRIGHT)
02-31241-609 (ANTIQUE)
02-31241-612 (BRONZE)
02-31241-613 (DK. BRONZE)
02-31241-626 (CHROME)

INSTALLATION INSTRUCTIONS

TOOLS REQUIRED: Drill, 1/16" and 1/2" drill bits, awl and screwdriver.

1. Position template (right) centered from side to side 60" above threshold. Tape template to outside of door.
2. Mark centers with awl (or nail) and drill holes (A) with 1/16" drill bit.
3. Drill hole (B) for viewer completely through door from outside with 1/2" drill bit.
4. Mount door knocker and secure.
5. Insert viewer (C) through knocker from outside. Insert receiver tube (D) from inside and tighten. See illustration.



NOTE: Check product against template before installing.

MAINTENANCE INSTRUCTIONS

H.B. IVES solid brass products have a clear, protective lacquer coating which helps prevent discoloration. Do not use abrasive waxes or cleaners.

ASK FOR OTHER FINE DECORATIVE HARDWARE BY H.B. IVES



DOOR
KNOCKERS



MAIL SLOTS



DOOR
VIEWERS



HOUSE
NUMBERS

