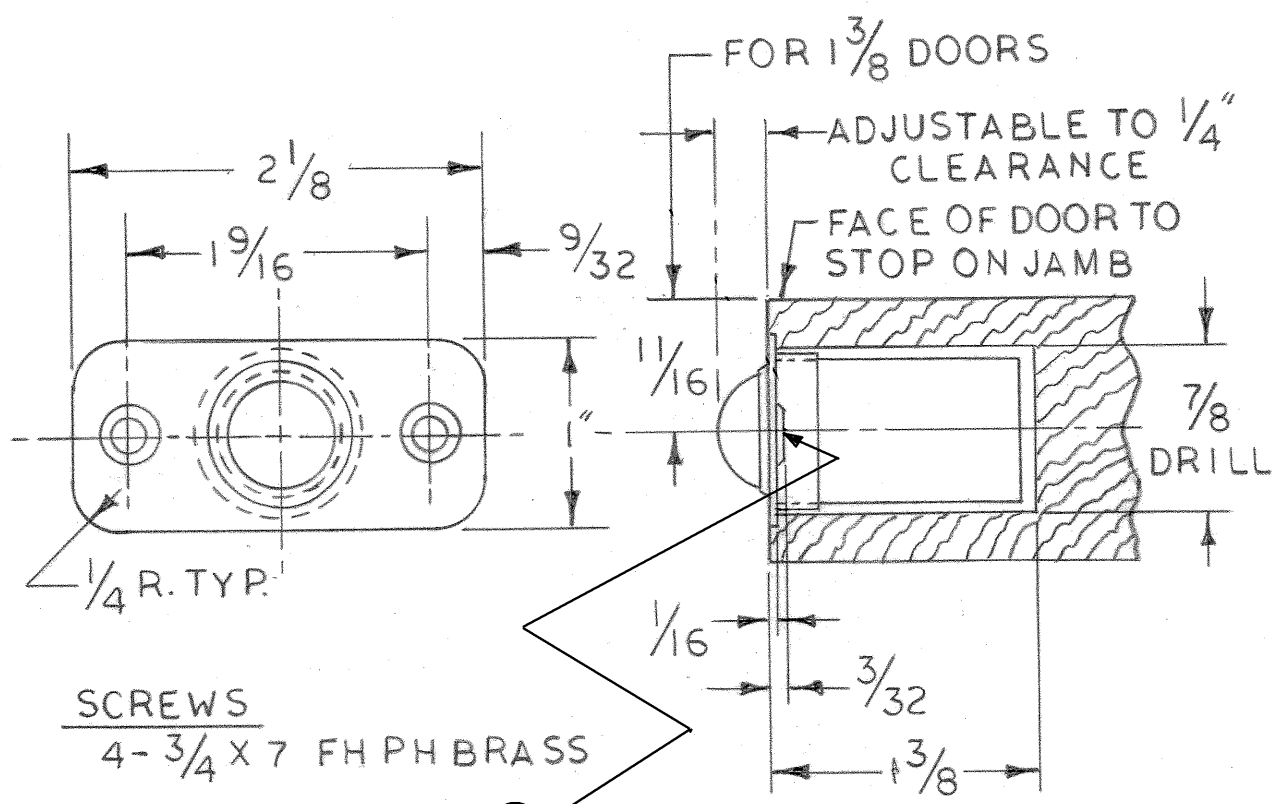
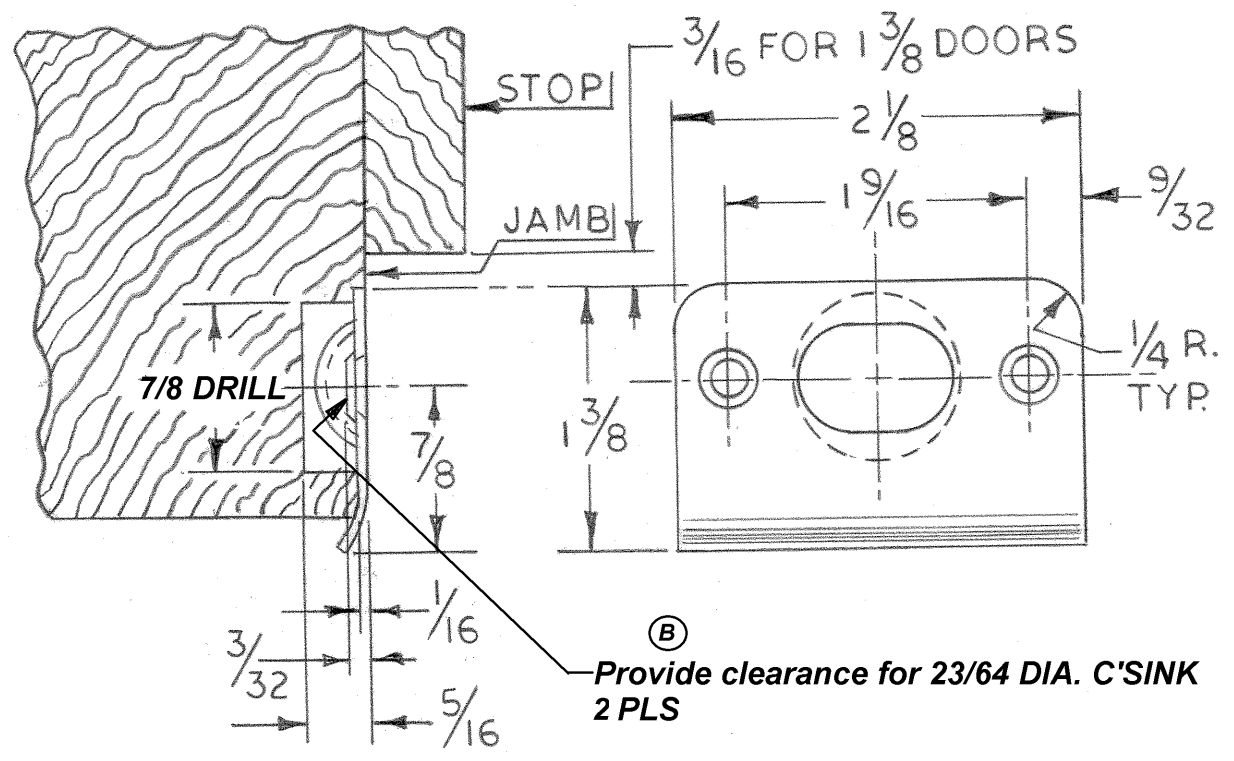


TEMPLATE DRAWING-

349
 CATCH MOUNTED IN DOOR



SCREWS
 4- 3/4 X 7 FH PH BRASS



349 BALL CATCH

TEMPLATE NO. HB-349-95
 DRAWN BY: FJH DATE: 1-4-90

THE H. B. IVES CO.
 P.O. BOX 1887, NEW HAVEN, CONN. 06508