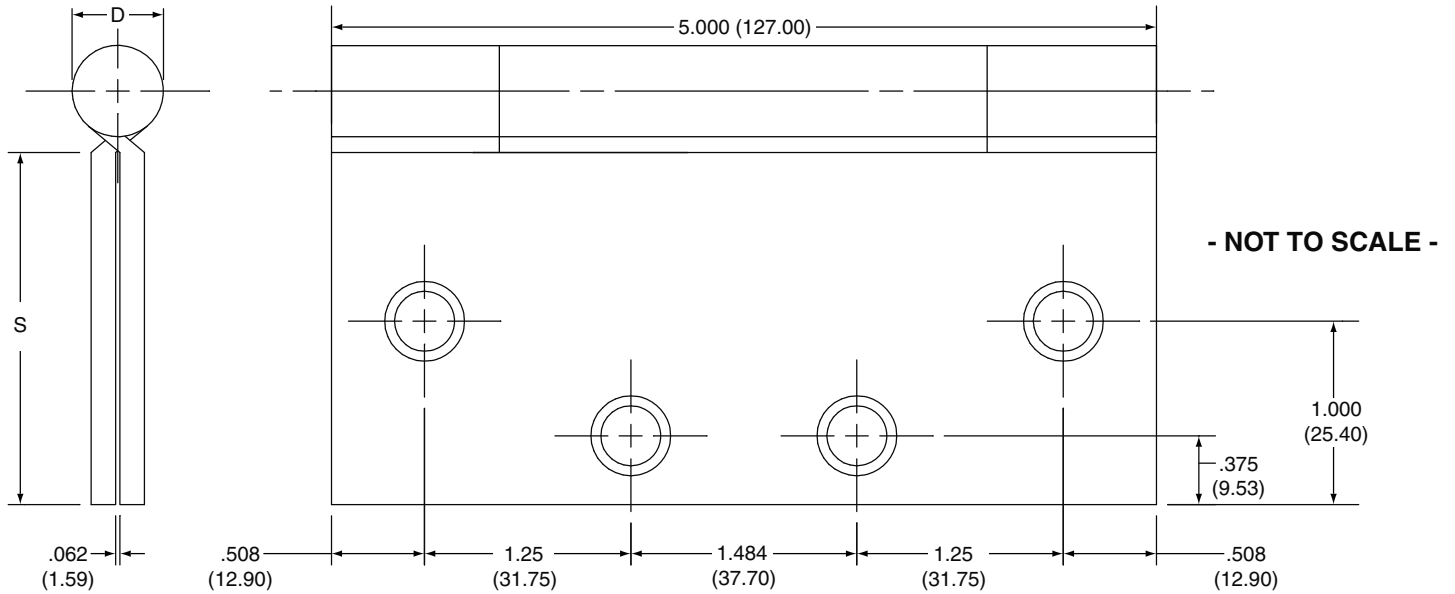
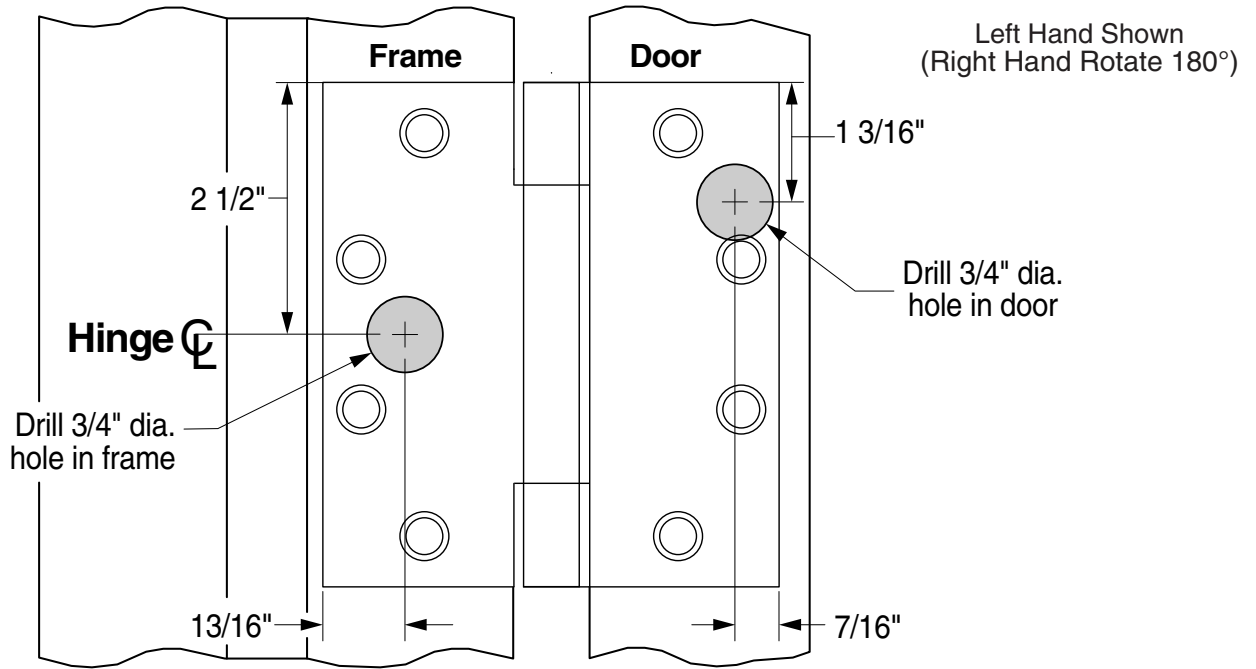


For use with: 3CB1 and 3CB1HW suffixed TW4(M)-CON, TW8(M)-CON, TW12-CON or MON



TW4, TW8 and TW12



Hinge Model	Hinge Weight	Metal Gauge	(D) Knuckle Diameter	(S) Distance From Edge of Leaf to Swage Line	
				5 x 4 1/2 (127.00 x 114.30)	5 x 5 (127.00 x 127.00)
3CB1	Standard	.146 (3.71)	.609 (15.48)	1.875 (47.63)	2.000 (50.8)
3CB1HW	Heavy Weight	.190 (4.83)	.703 (17.86)	1.812 (46.04)	2.062 (52.39)

For TW4M, TW8M, and MON only see page 2.

Machine Screw Size: 12-24 x 1 1/2" F.H.
Wood Screw Size: #12 x 1 1/4" F.H.

- Notes:** 1. Round Corners (RC) application will have 1/4" (6.35) and 5/8" (15.88) radius corners, but will conform to template as shown above the other radius corners.
2. Hospital Tip (HT) and Wide Throw (WT) applications will conform to template as shown above.

Customer Service
1-877-671-7011 www.allegion.com/us

IVES HINGES ARE MADE IN SIZE, GAUGE AND WITH SCREW HOLES LOCATED TO CONFORM TO ANSI - A156.7.

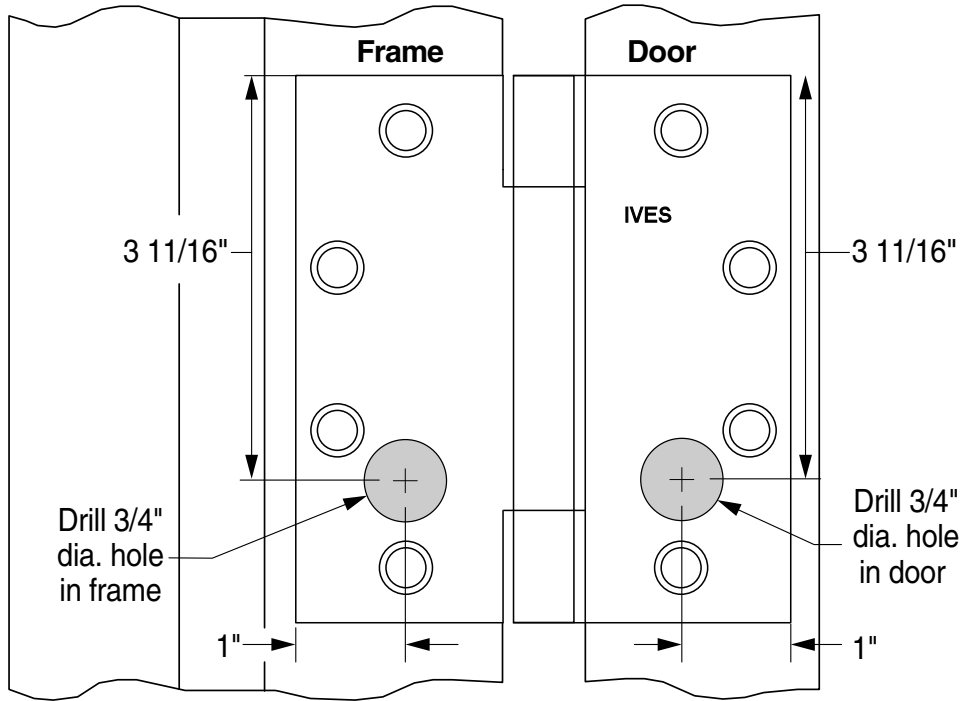
IVES 3 Knuckle 5" Electric Full Mortise Hinge Template

ALLEGION
Template Number **INST.5-3KEHG_d**

Pg. 1 of 2
© 2020 Allegion
INST.5-3KEHG
Rev. 09/20-d

Note: Dimensions in () are millimeters

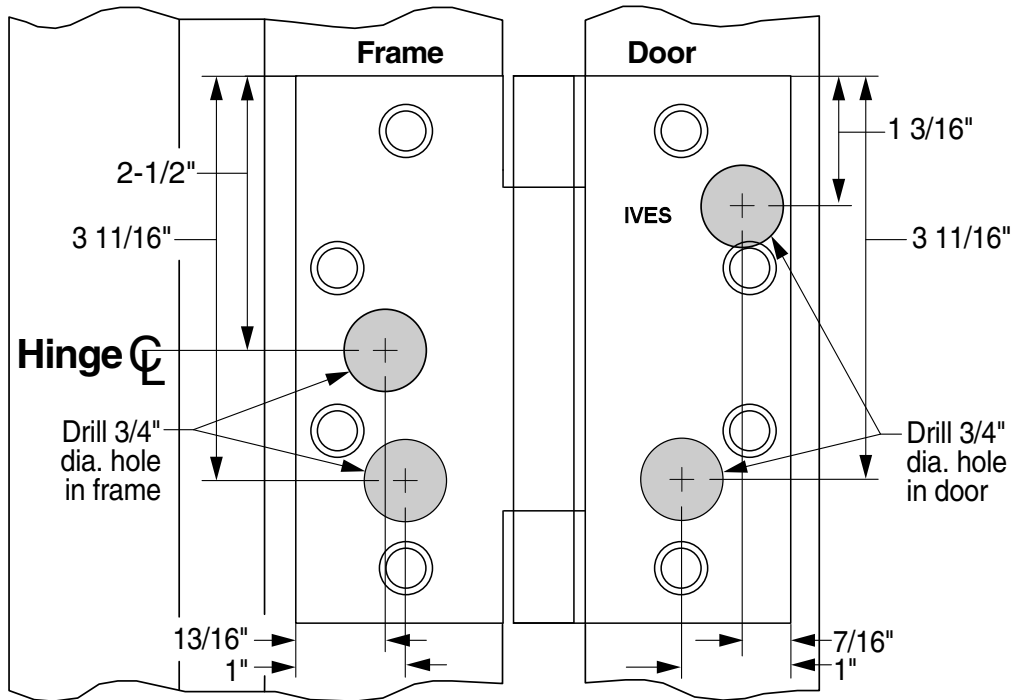
Hinges with Monitor Only (MON)



Left Hand Shown
(Right Hand Rotate 180°)

TW4M and TW8M

- NOT TO SCALE -



- Notes:** 1. Round Corners (RC) application will have 1/4" (6.35) and 5/8" (15.88) radius corners, but will conform to template as shown above the other radius corners.
2. Hospital Tip (HT) and Wide Throw (WT) applications will conform to template as shown above.

Customer Service

1-877-671-7011

www.allegion.com/us

IVES HINGES ARE MADE IN SIZE, GAUGE AND WITH SCREW HOLES LOCATED TO CONFORM TO ANSI - A156.7.

IVES

3 Knuckle 5" Electric
Full Mortise Hinge Template



Pg. 2 of 2

© 2020 Allegion
INST.5-3KEHG
Rev. 09/20-d

Note: Dimensions in () are millimeters

Template
Number

INST.5-3KEHG_d