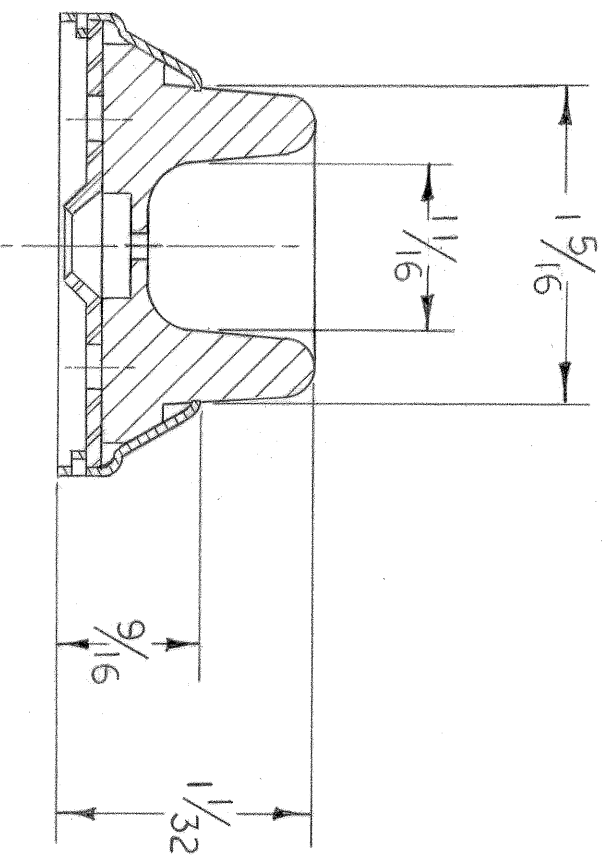
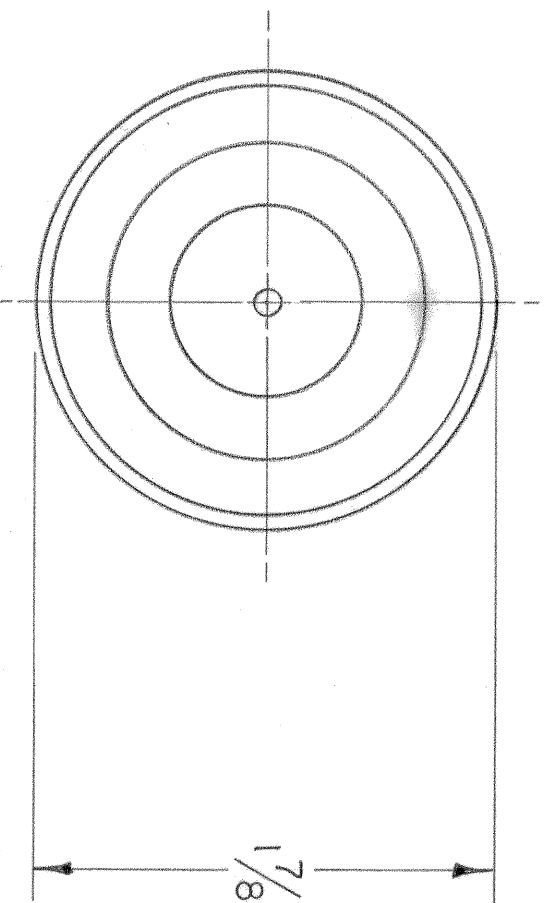


# TEMPLATE DRAWING

DWG # 2236 A  
Rev A, new drawing #  
10/5/99



INSERT (1)  $\frac{1}{4}$ " # 8 PHILLIPS OVAL HEAD WS THROUGH  
HOLE IN RUBBER. DRILL  $\frac{5}{16}$ " DIAMETER HOLE FOR  
PLASTIC ANCHOR -  $\frac{1}{4}$ " DEEP IF IN SOLID MASONRY.

**IVES**

409 1/2 WALL BUMPER

TEMPLATE NO. HB-409 1/2 - 63

DRAWN BY: F.J.H DATE: 7-1-83

THE H. B. IVES CO.  
P.O. BOX 1887, NEW HAVEN, CONN. 06508