

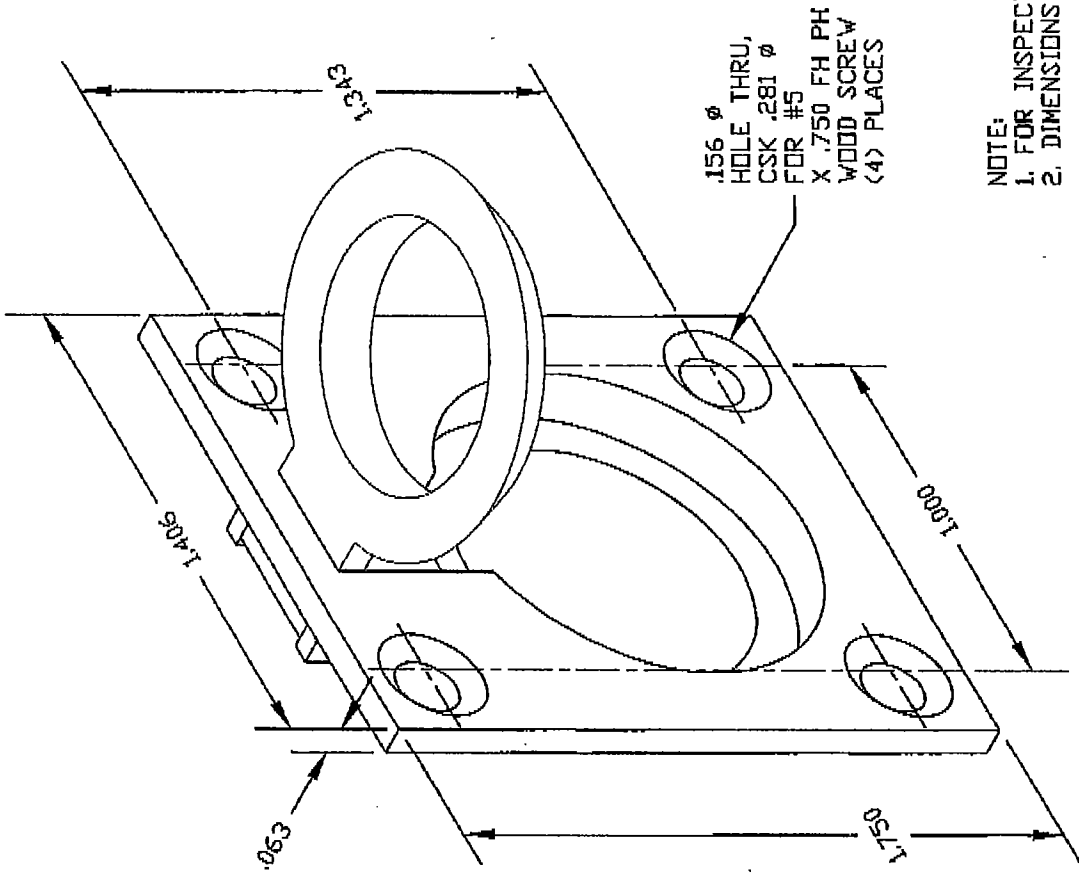
420

888-371-7331


DWG. NO. 2096

IVES PART No. 139406

This document is the property of H.B. Ives Co. and contains PROPRIETARY and CONFIDENTIAL information. All recipients hereof agree to the foregoing, and agree not to make any duplication thereof or to use it for any purpose other than that for which it is loaned without the express written consent of H.B. Ives Co., and to return the document upon demand.



NOTE:  
1. FOR INSPECTION PURPOSES ONLY.  
2. DIMENSIONS ARE NOMINAL.

MATERIAL		BRASS		PRODUCT AND NAME		420 FLUSH RING PULL HOBBYIST HARDWARE	
DIMENSIONAL TOLERANCES UNLESS OTHERWISE SPECIFIED		XXX	XX	FRAC	ANG	DRAWN	DATE
N/A	N/A	N/A	N/A	N/A	N/A	RSN	2/4/98
SCALE		NTS		CAD FILE NAME:		APPROVED	DATE
				2096.DRW			
NEW DRAWING TO CONFIRM PRODUCT							
SYM	DESCRIPTION	DATE	DWN.				
	REVISIONS						
 H.B. IVES A HARRON COMPANY P.O. BOX 1887, NEW HAVEN, CONN. 06508							