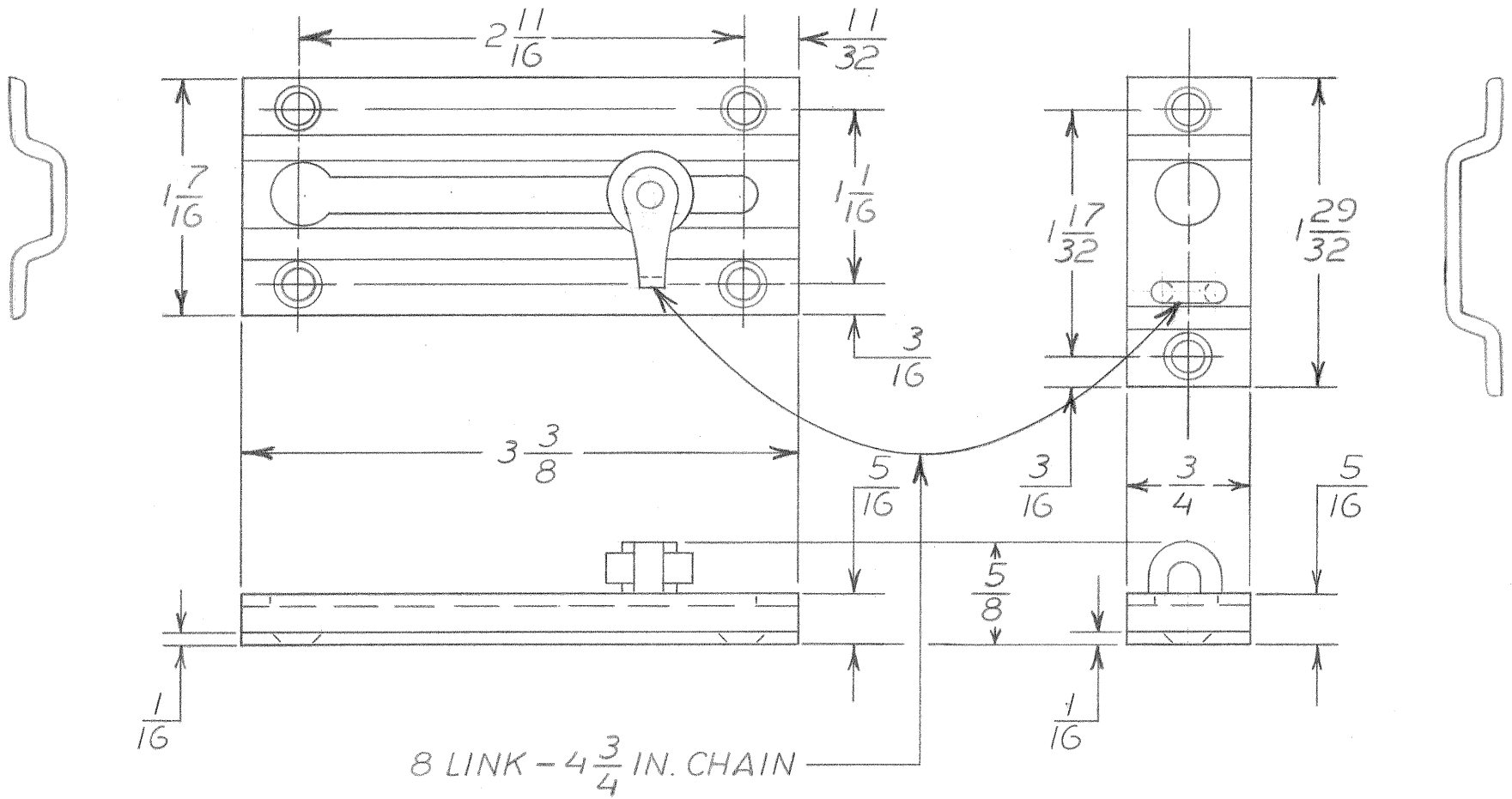


# TEMPLATE DRAWING

DWG. NO. 554



USE [6]  $\frac{3}{4}$ " X #6 O.H. SHEET METAL SCREWS

481 CHAIN DOOR GUARD		
LETTER	CHANGE	DATE
A		
B		
C		
R.C.K 11-9-62 FULL SIZE		
<b>IVES DIVISION</b> <b>LEIGH PRODUCTS, INC.</b> P. O. BOX 1887, NEW HAVEN, CONN. 06508		