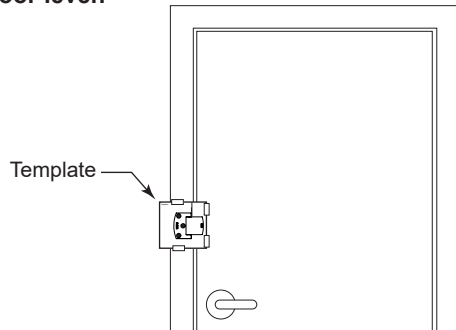


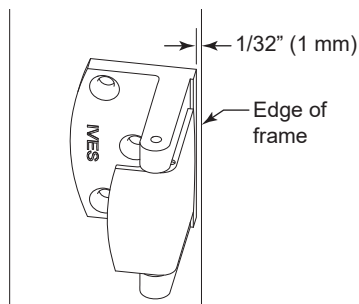


47834618

1. Cut out the Template below and tape to frame at desired door height. Recommend 10" to 12" above interior door lever.

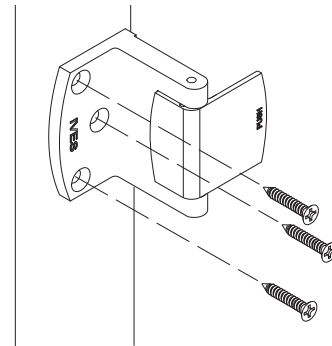


2. Make sure that the template is placed so that the edge of door guard will be offset 1/32" from edge of frame.



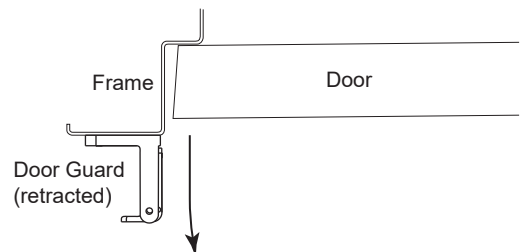
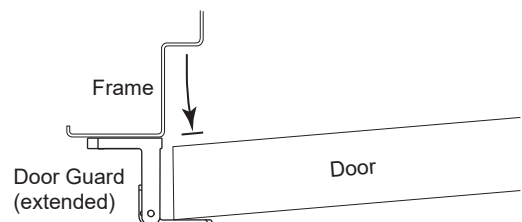
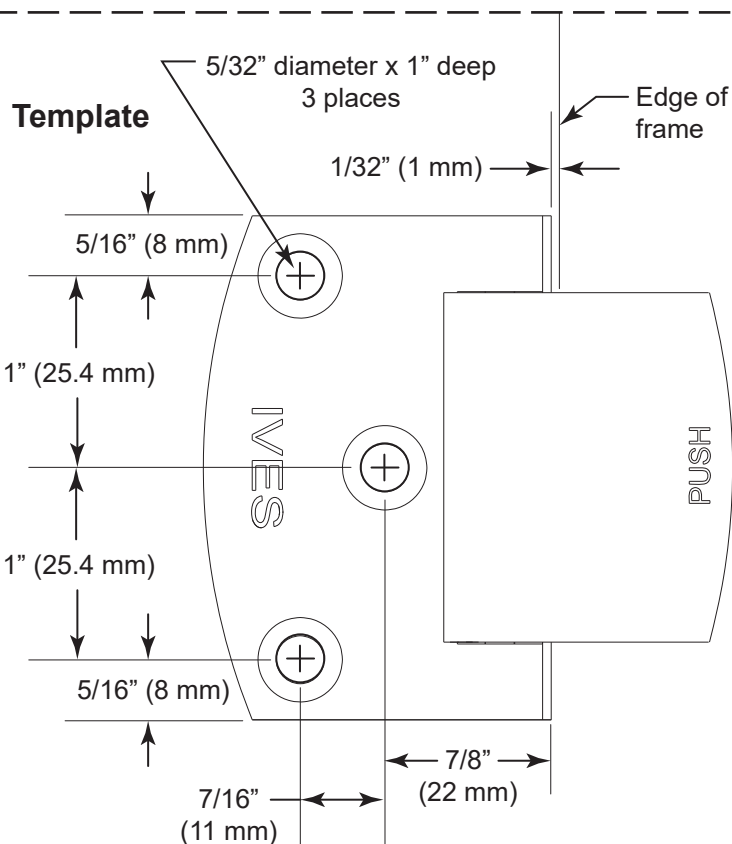
3. Mark and drill 3 pilot holes 5/32" diameter by 1" depth at the marked template hole locations.

4. Install the 3 provided sheet metal screws through the door guard to secure it to frame.



5. Test function of door guard.

- a. Flip the door guard lip out so that it is extended and verify that the door will not open.
- b. With the door closed, retract the lip and verify that the door will open.



Customer Service

1-877-671-7011 www.allegion.com/us

