

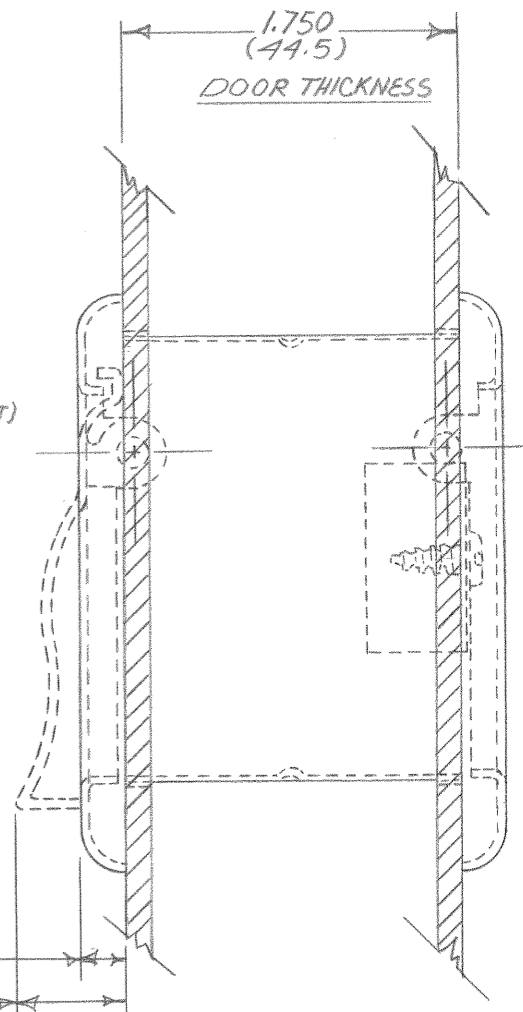
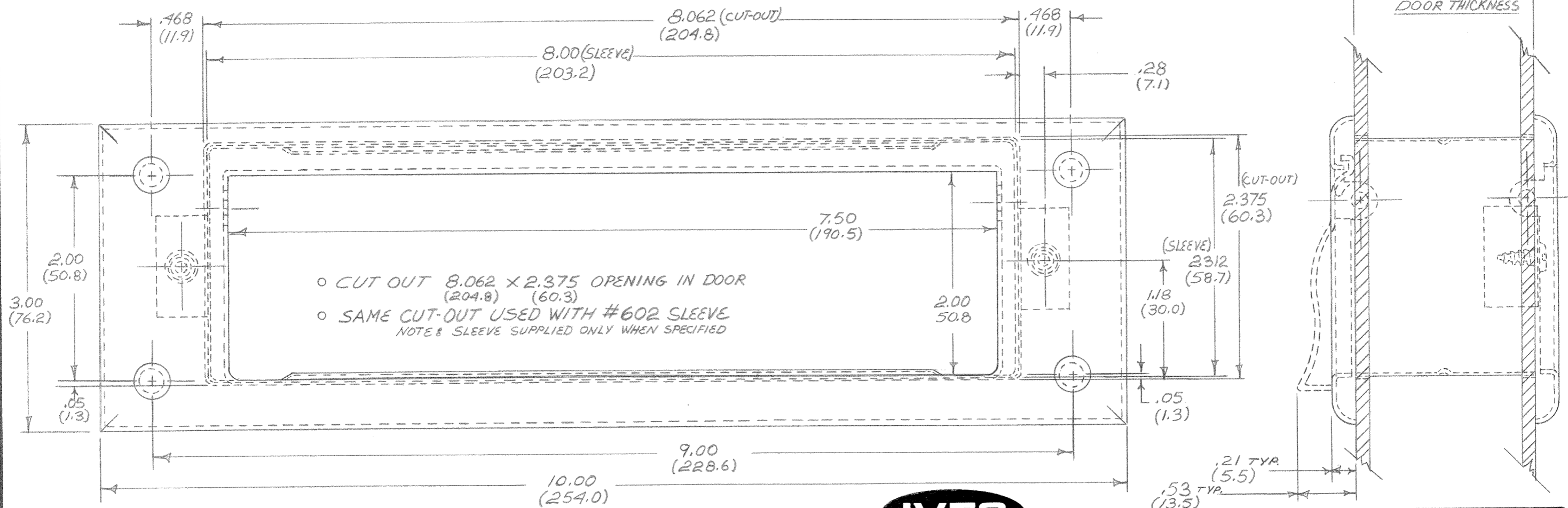
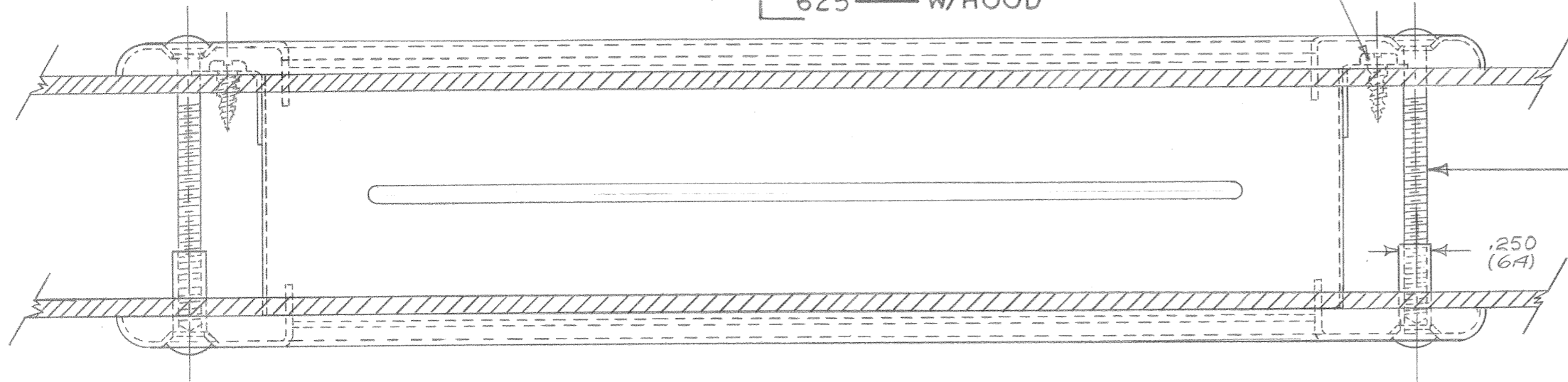
TEMPLATE DRAWING

DWG # 2179A
Rev A, new drawing #
10/5/99

USE FOR

602	SLEEVE
618 1/2 623	-W/STD. BACK PLATE
619 1/2 624	-W/COVERED BACK PLATE
625	-W/HOOD

- (2) .375 (9.5) X #8 BINDING HEAD SHEET METAL SCREWS FOR SLEEVE INSTALLATION
- (8) .750 (19.1) X #8 O.H. SHT. METAL SCREW FURNISHED WITH STANDARD FRONT & BACK PLATES
- .750 (19.1) X #8-32 O.H. MACHINE SCREWS FURNISHED WHEN SPECIFIED
- (4) 1.750 (44.5) X #8-32 O.H. MACHINE SCREWS FOR 1.750 (44.5) DOOR SEX-BOLT INSTALLATION - FURNISHED WHEN SPECIFIED



NOTE: [(00.0)] INDICATES METRIC EQUIVALENTS (M.M.)

DO NOT SCALE

IVES

618/619/623/624/625 LETTER BOX PLATES

TEMPLATE NO. HB-623-42

DRAWN BY: D.C.

DATE: 11-10-78

IVES DIVISION
LEIGH PRODUCTS, INC.
P. O. BOX 1887, NEW HAVEN, CONN. 06508

STB