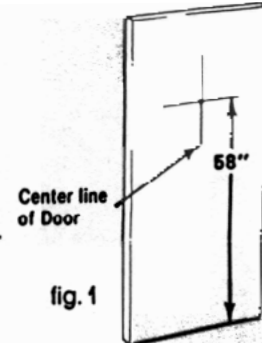


Installation Instructions

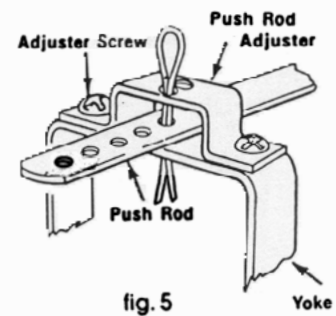
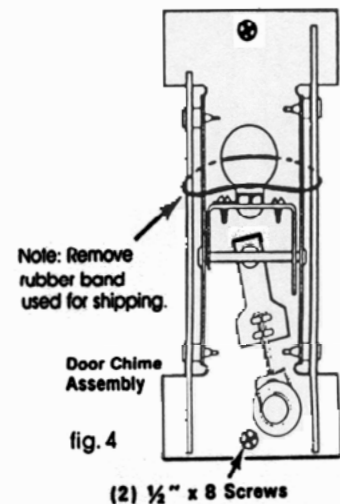
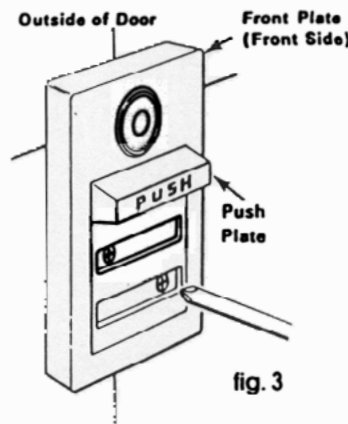
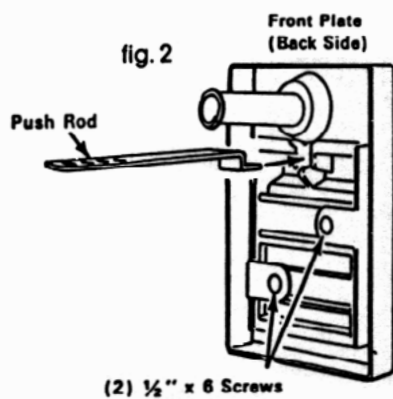
- Tools Required:**
- Hand or electric drill
 - #2 point Phillips screwdriver
 - Drill bits: 1" , 3/32" , 7/64"

STEP 1 Mark horizontal reference line on OUTSIDE of door at convenient eye level (recommended 58 inches up from bottom of door). Mark vertical line on door centered from left to right. (See fig. 1) Align template reference lines with lines on door and mark location of 3 holes labeled "OUTSIDE ⊕" on door. Drill hole through door with 1 inch drill. Drill both bottom holes 1/2 inch deep with 3/32 inch drill.

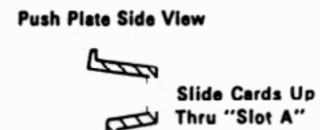


STEP 2 Mark horizontal and vertical lines on INSIDE of door through center of 1 inch hole. Place template over reference lines. Mark location of the 2 holes labeled "INSIDE ⊙" on door. Drill both holes 1/2 inch deep with 7/64 inch drill.

STEP 3 For installation on 1-3/4 inch doors, use Push Rod as is. For 1-5/8 inch doors, break at 1st hole, for 1-1/2 inch doors, break at 2nd hole and for 1-3/8 inch doors, break at 3rd hole. Insert stepped end of Push Rod into slot in Push Plate. (See fig. 2) From the OUTSIDE of door insert Viewer and Push Rod into 1 inch hole. Fasten Front Plate to door using (2) 1/2" x 6 screws. (See fig. 3)

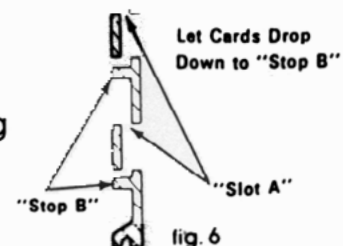


STEP 4 Install Chime Assembly on INSIDE of door using (2) 1/2" x 8 screws. (See fig. 4) Install bent end of Push Rod into slot in Push Plate and other end between Push Rod Adjuster and Yoke. (See fig. 5) Take play out of Push Rod by pulling Push Rod Adjuster toward you while pushing Push Rod away. Install cotter pin in the hole that allows the least play.



STEP 5 Hang Case over tab on Chime Assembly and tighten screw in slot on bottom of Case.

STEP 6 Print name and number on cards provided. Center printing top to bottom and left to right. Insert cards in Push Plate. (See fig. 6)



Note: Cards also serve to cover screws fastening Front Plate to door