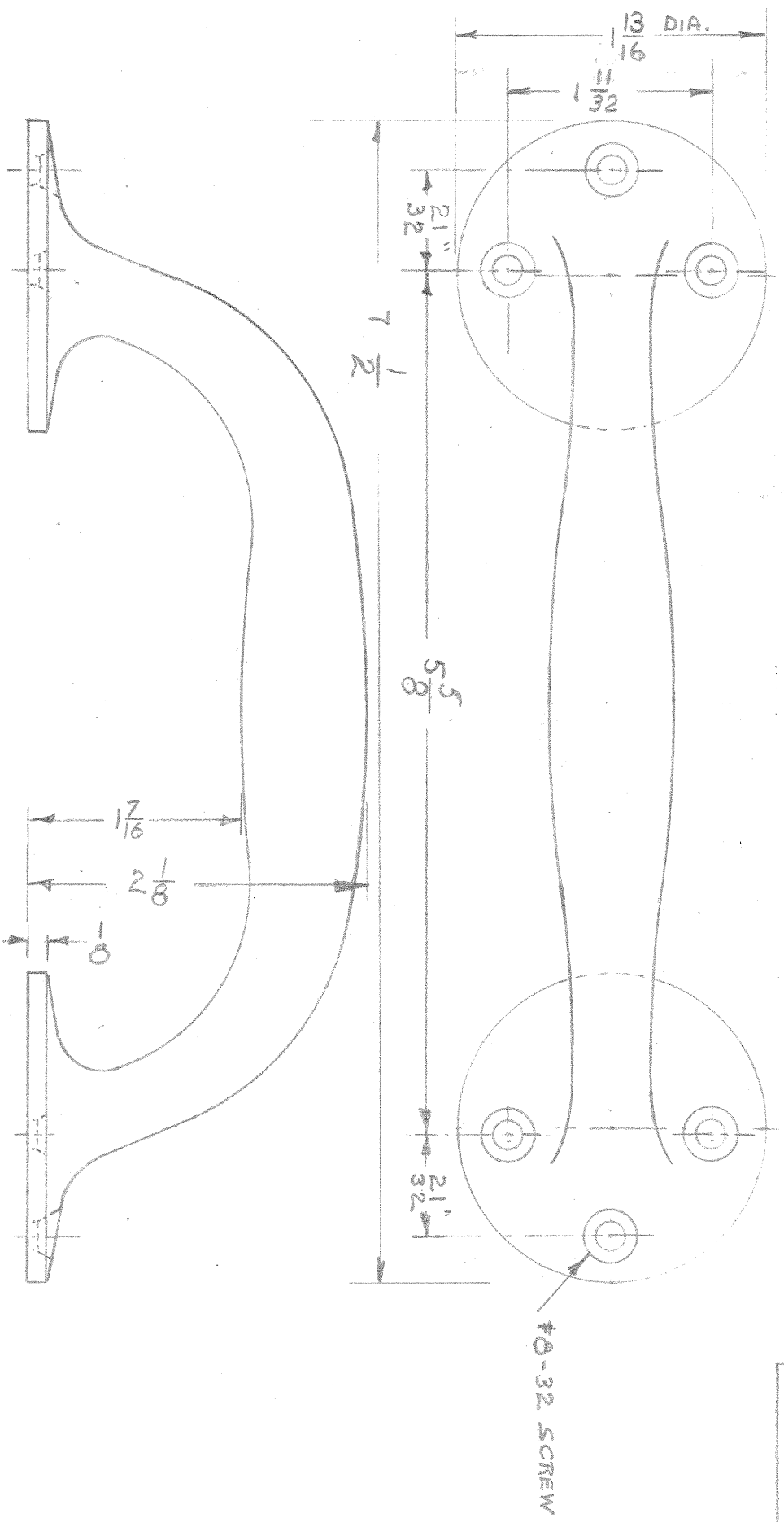


TEMPLATE DRAWING

DWG. NO. 219B



BOX A		BOX B	
FROM	TO	FROM	TO
7 1/5/16	7 13/32		
1 15/16	1 13/16		
2 3/16	2 1/8	FROM	TO
5 9/16	5 1/2	7 13/32	7 1/2
1 3/8	1 1/16	5 1/2	5 5/8

FULL SIZE

S.A.H.-9-3-49

8112 DOOR PULL
(WAS 12)

LETTER	CHANGE	DATE
A	SEE BOX 'A' AT LEFT <small>REV</small>	6-13-62
B	SEE BOX 'B' AT LEFT <small>REV</small>	1-30-63
C		

IVES DIVISION
LEIGH PRODUCTS, INC.
P. O. BOX 1887, NEW HAVEN, CONN. 06508