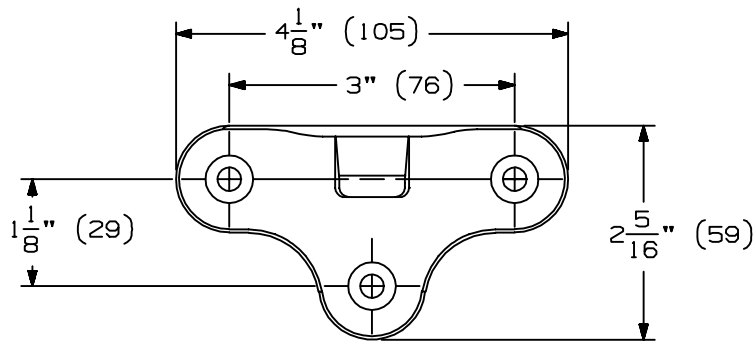


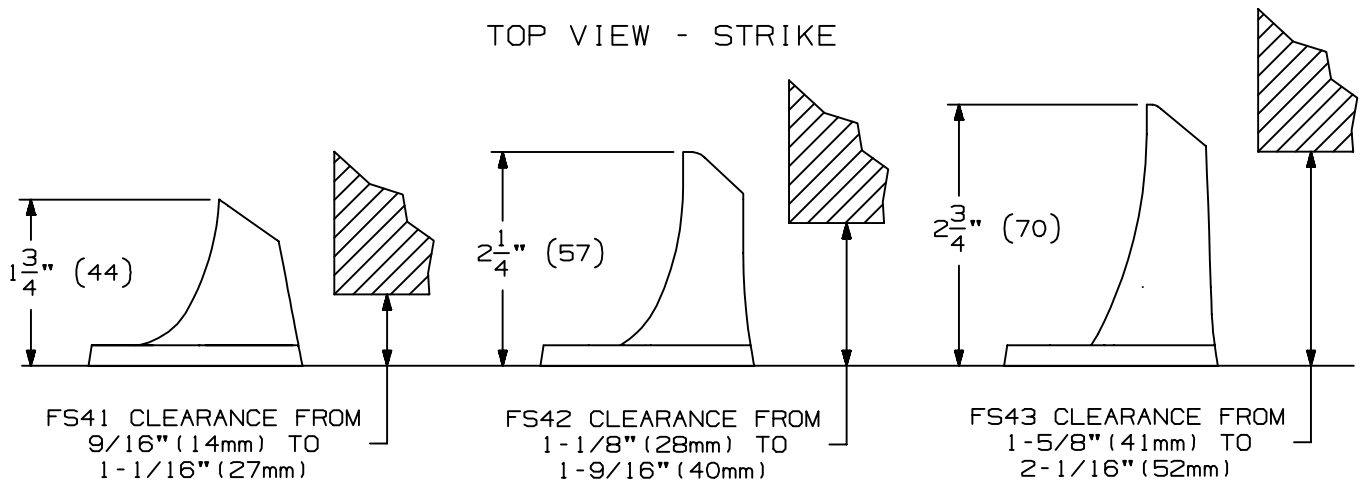
FRONT VIEW - BODY

SIDE VIEW - BODY

FS40 MAXIMUM DOOR CLEARANCE



TOP VIEW - STRIKE



INSTRUCTIONS:

1. OPEN DOOR TO DESIRED POSITION.
2. PLACE STRIKE ON FLOOR AND HOLDER BODY ON DOOR AS ILLUSTRATED. ROLLER MUST ENGAGE STRIKE SQUARELY.
3. LOCATE THE MOUNTING HOLES.
4. PREPARE MOUNTING HOLES AS NECESSARY.
5. INSTALL STRIKE AND HOLDER BODY.

NOTES:

1. METAL DOORS SHOULD BE PROPERLY REINFORCED WITH $\frac{3}{16}$ " (5) MINIMUM THICKNESS PLATE.

	QTY	SCREW DETAILS
BODY	4	#14 X 1-1/4" TRPHSMS
BODY	3	#14 X 1-1/4" FPHSMS
	3	PLASTIC EXPANSION SHIELD



FS40, FS42, & FS43 AUTOMATIC DOOR HOLDER INSTALLATION TEMPLATE



NOTE: DIMENSIONS IN () ARE MILLIMETERS.

TEMPLATE NUMBER: INST.FS40-43_0

DATE: 09-01-01