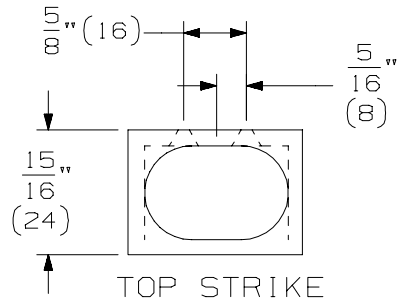
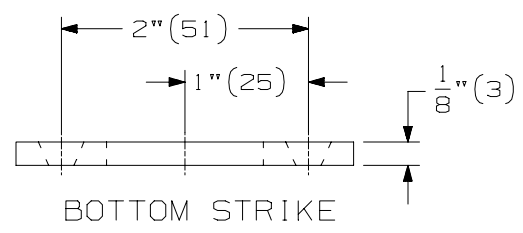


STOP SIDE MOUNTED (PUSH SIDE)

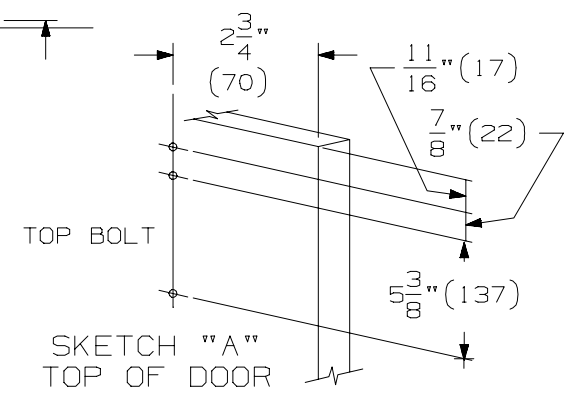
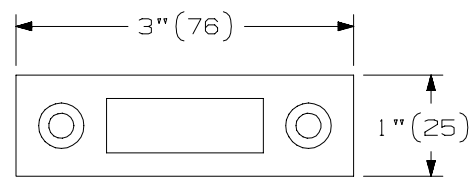
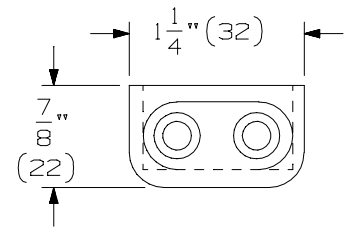
HINGE SIDE MOUNTED (PULL SIDE)



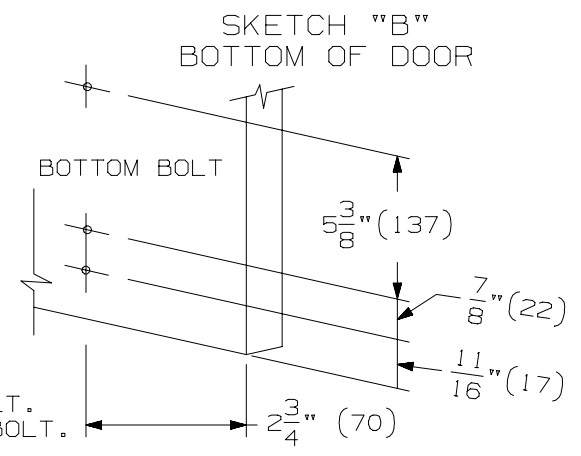
TOP STRIKE



BOTTOM STRIKE



SKETCH "A" TOP OF DOOR



SKETCH "B" BOTTOM OF DOOR

INSTRUCTIONS:

1. DETERMINE SIDE OF DOOR TO WHICH BOLTS ARE TO BE APPLIED.
2. DRILL AND TAP MOUNTING HOLES IN DOOR FOR BOLT. SEE SKETCH "A" FOR TOP BOLT AND SKETCH "B" FOR BOTTOM BOLT.
3. DISASSEMBLE GUIDE FROM BOLT BY SLIDING GUIDE OUT OF BOLT.
4. ATTACH BOLT GUIDE TO DOOR.
5. SLIDE BOLT OVER GUIDE WHICH IS ATTACHED TO DOOR.
6. INSERT END PLUG INTO BOLT.
7. INSERT END PLUG STUD THROUGH THE END OF BOLT AND END PLUG.
8. SELECT EITHER BOTTOM STRIKE OR TOP STRIKE.
9. ALIGN STRIKE WITH BOLT AND ATTACH.

NOTE :

1. HOLLOW METAL DOOR & FRAME SHOULD BE PROPERLY REINFORCED WITH 3/16" (5) MINIMUM THICKNESS PLATE.

	QTY	SCREW DETAILS
BOLT GUIDE (STANDARD)	3	12-24 X 1" FPHMS
	3	#12 X 1 1/4" FPHSMS
BOLT GUIDE (SEX BOLTS)	3	1/4"-20 X 1 3/4" FPHMS
	3	Ø 3/4" X 1 9/16" SEX BOLT
STRIKE	2	12-24 X 1" FPHMS
	2	#12 X 1 1/4" FPHSMS
	2	PLASTIC EXP. SHIELD

IVES
SB1600M1 OR M2 SERIES SURFACE BOLT INSTALLATION TEMPLATE

IR Security & Safety®

NOTE: DIMENSIONS IN () ARE MILLIMETERS.

TEMPLATE NUMBER: INST.SB1600M_1 DATE: 11/11/02