

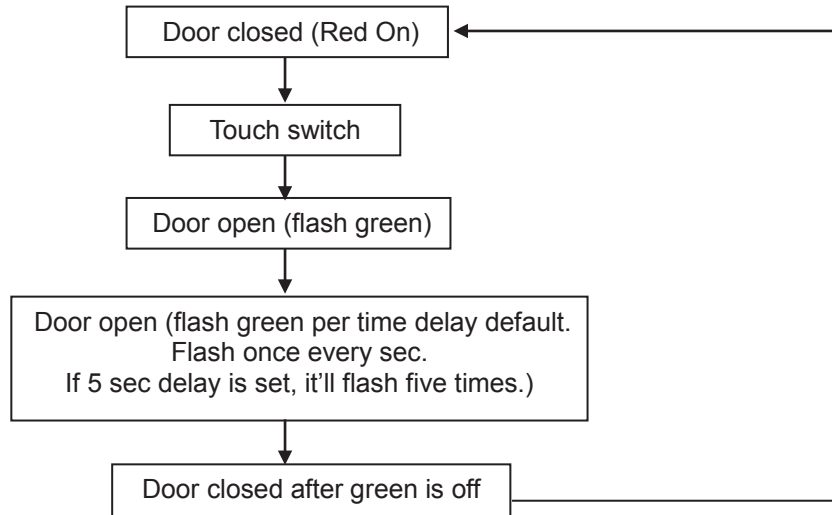
Programming Manual

Ⓐ Normal Mode

In locked status : light in red (default in red)

Operating:

Door closed (Red On) → Touch the switch → door is open and light flashes green (time delay adjustable by Software Settings or dip switch. Flash once every second.)
→ door is closed (light in red, door is locked)

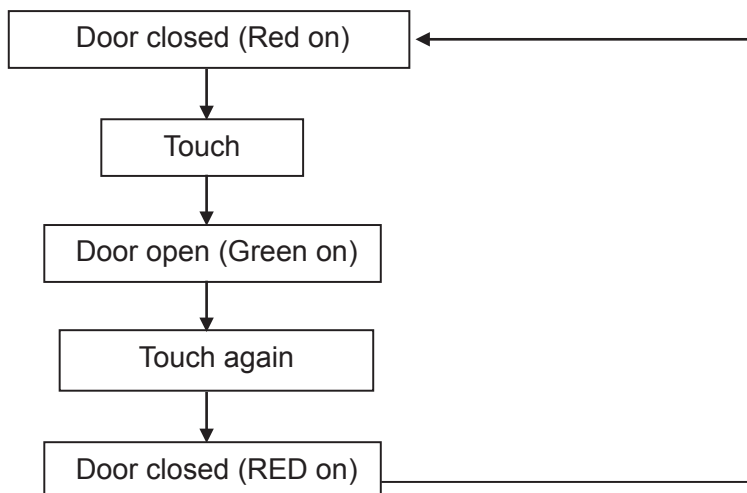


Ⓑ Not Regression Mode (Switch 1.2.3PIN of dip switch to ON)

In locked status: light in red (default in red)

Operating:

Door closed (Red On) → Touch switch → Door open → Green on
Door closed (Red On) → Touch switch → Door closed (Red on, back to locked status.)



Notes :

- a. Door is locked: Red on (default to red, Set by the user in accordance with the DIP switch or software selection changes.)
- b. If the default light has been changed, the light will be accordingly changed.
- c. LED Display Description:

In Normal mode:

- Red on: door is closed.

- Flash green (once/sec): in open status

In Not Regression mode:

- Red on: door is closed.

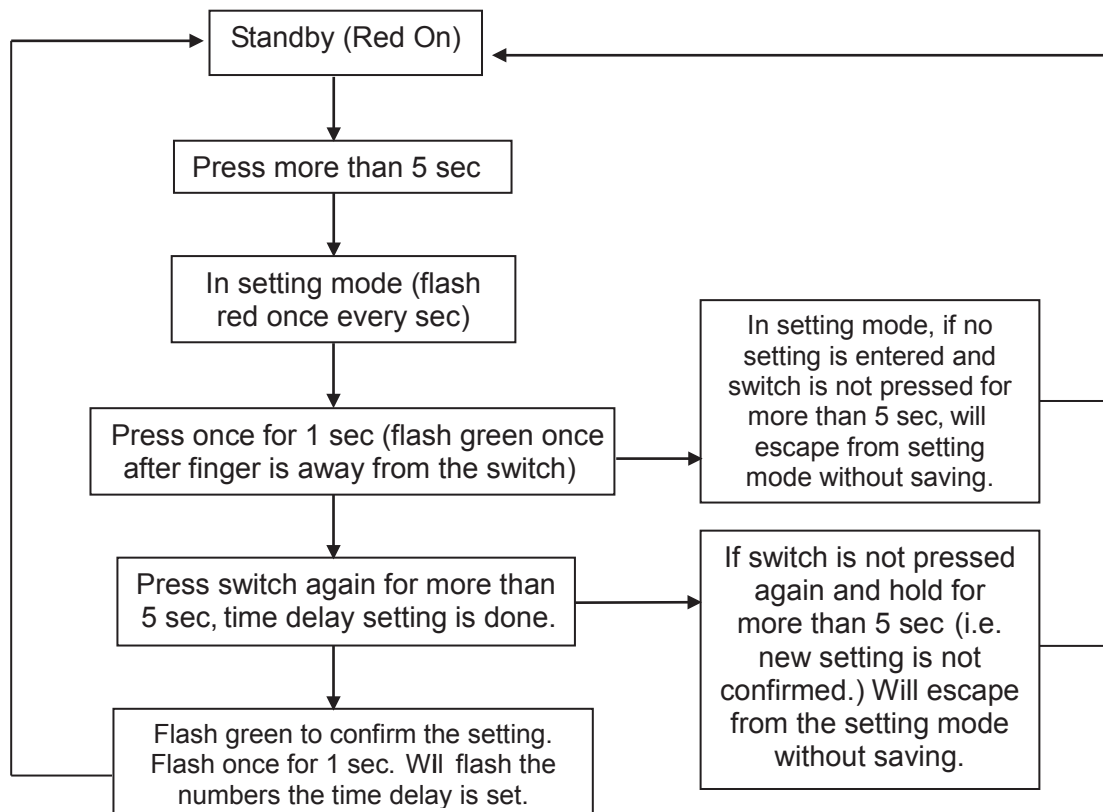
- Green on: in open status

Ⓢ Timer Setting (default in Red, Setting Mode)

Standby (Red On) → press the switch more than 5 sec → into setting mode (flash red) → touch the switch once, flash in green once (a confirm for successful setting for 1 sec), after the requested time delay has been set, press the switch more than 5 sec. → Escape the setting mode. Will flash in green the numbers the time delay is set. → Back to standby (Red on)

Notes :

- a. Max. seconds setting is 30 sec. When it's more than 30 sec, it'll be taken as invalid input and escape the setting mode
- b. In setting mode, if more than 5 sec no action, it'll automatically escape from setting mode, and the previous setting is invalid.
- c. If the default light has been changed, the light will be accordingly changed.
- d. Escape from setting mode: after setting is completed, press the switch for more than 5 sec to confirm. Then setting is done.
- e. LED Display Description
 - Red on: door is closed.
 - Flash red (once/sec): in setting mode
 - Flash green (once/sec) → time delay setting, or confirm the time delay set
- f. Except for specific demand, press the switch within 5 sec for all setting.

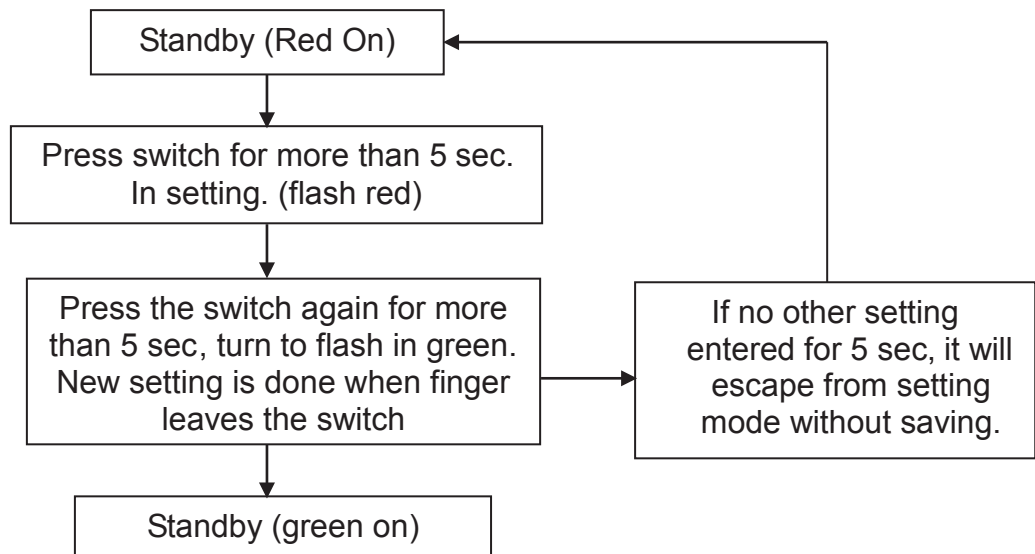


D LED Setting

Dip switch : 4th pin of dip switch (default in red)

Programming: (default in red, Setting Mode)

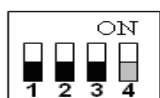
Standby (Red On) → press the switch for more than 5 secs → enter setting mode (flash in red)
 → press the switch again for more than 5 secs → flash red turn to flash in green → leave the switch → back to locked status (green on).



Notes :

- In setting mode, if more than 5 sec no action, it'll automatically escape from setting mode, and the previous setting is invalid.
- Except for specific demand, press the switch within 5 sec for all setting.
- If the default standby light has been changed, the light will be accordingly changed.
- LED lighting:
 - Red on: locked status
 - flash red (once/sec): in setting mode
 - flash green (once/sec): changing color default
 - Green on: back to locked status

E Dip Switch Setting



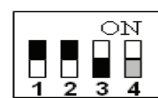
1SEC



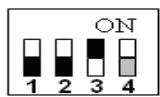
5SEC



10SEC



15SEC



20SEC



30SEC



40SEC



Not Regression Type

LED Setting



R LED



G LED

For details regarding the limited warranty:

Customer Service

1-877-671-7011

www.allegion.com/us

LOCKNETICS.


ALLEGION

© Allegion 2017
 47259499 Rev 12/17-a