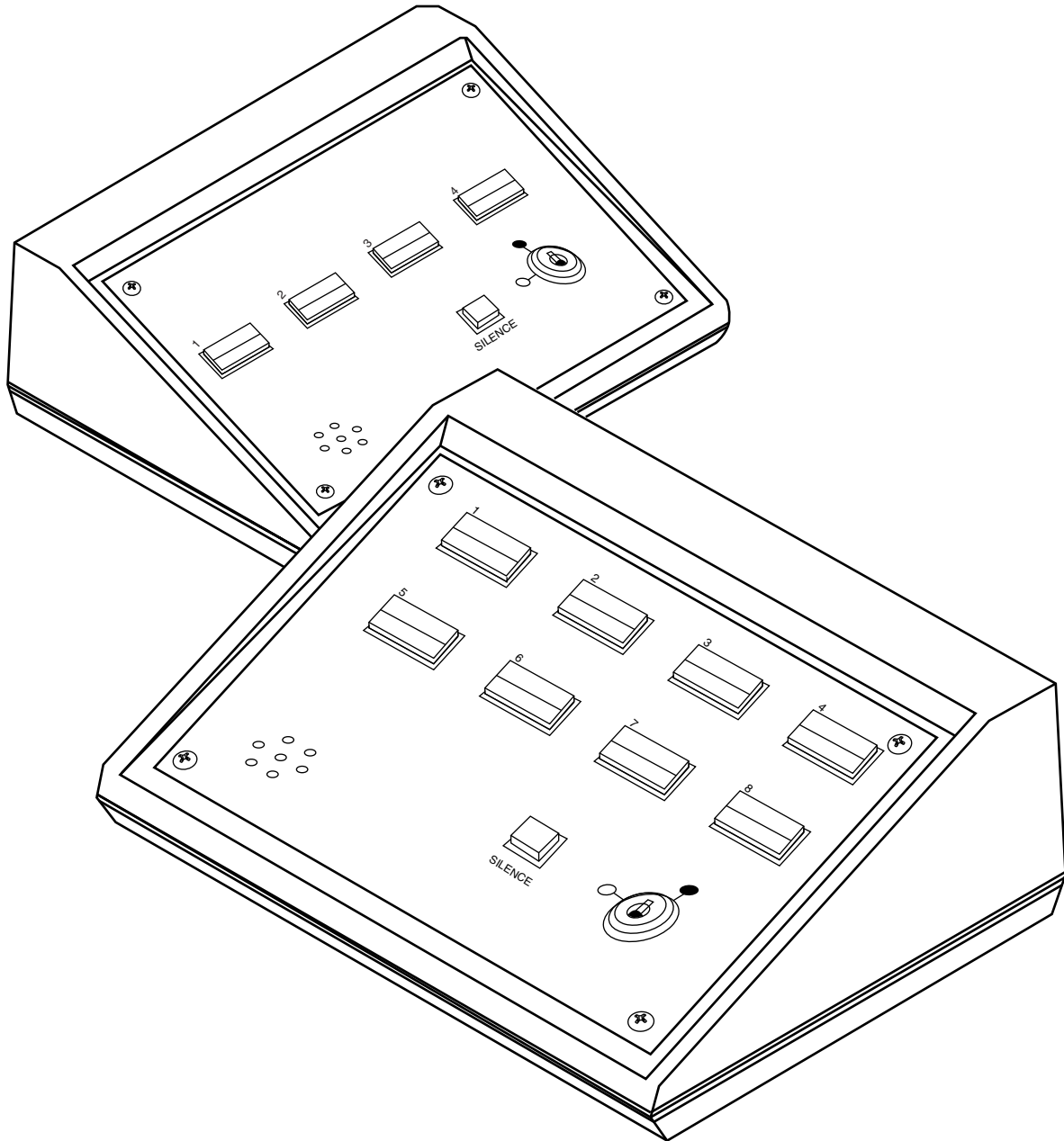




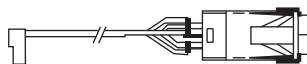
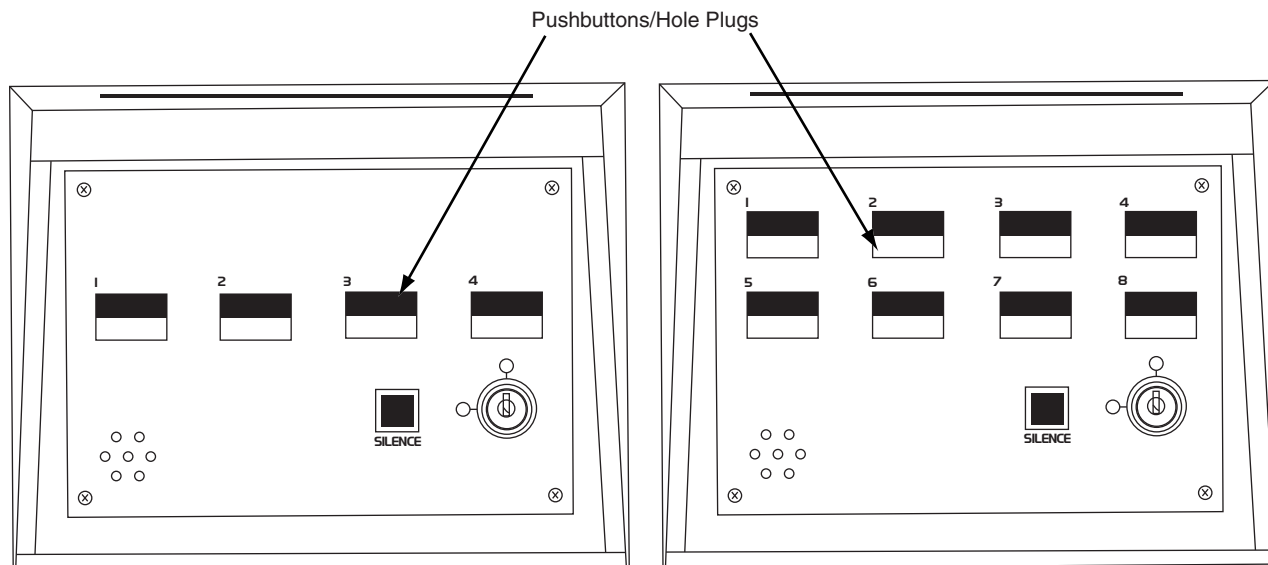
8200-Series Desk Console

Installation Instructions for Single Locks



LIST OF PARTS

- Pushbuttons/Hole Plugs
- Maintained or Momentary Pushbutton Assembly*
- Hole Plug*
- Keyswitch Keys (2)



Maintained or Momentary
Pushbutton Assembly*



Hole Plug*



Keyswitch Keys (2)

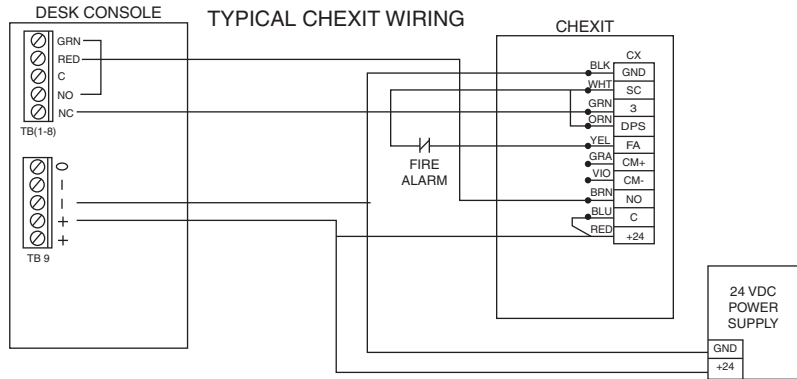
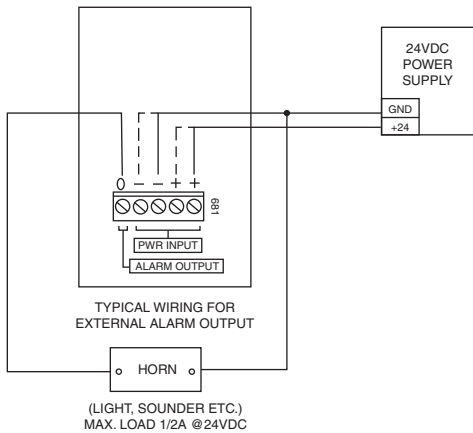
* Each console will have installed any combination of these in the switch/hole plug position

SPECIFICATIONS/FUNCTION

Power	<ul style="list-style-type: none"> • 24 VDC \pm 15% • 50 milliamp internal console excluding lamps • For UL applications, the power source shall be a UL294 listed class 2 (power limited) power supply
Pushbutton (Momentary or Maintained)	<ul style="list-style-type: none"> • 1 Amp, 24 VDC
Lamps (Green or Red)	<ul style="list-style-type: none"> • 0.04 Amps @ 24 VDC (#85 lamp)
Terminal Blocks	<ul style="list-style-type: none"> • Maximum of 14 Ga wire, 18-22 recommended • Rated torque/screw size 0.50 Nm/M³
Alarm Output	<ul style="list-style-type: none"> • 0.5 Amp @ 24 VDC common to all zones, protected by automatically resettable breaker
Keyswitch	<ul style="list-style-type: none"> • Off (CCW) – Powers NC (FS) outputs and removes power from NO (FSE) outputs by breaking pushbutton common. Powering NC contacts can be field modified to eliminate this feature - see <i>User Selectable Options</i> • ON (CW) – Powers pushbutton common and allows the pushbuttons to have full control over the zone
Reset Button	<ul style="list-style-type: none"> • Momentary pushbutton that resets the internal latching horn and the Alarm Output that has been triggered by voltage on the RED terminal
Temperature Range	<ul style="list-style-type: none"> • 32°F – 120°F

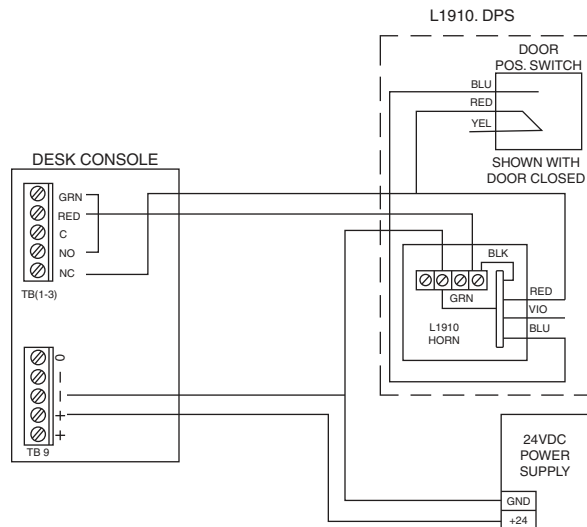
Wiring Examples

TYPICAL EXTERNAL HORN WIRING



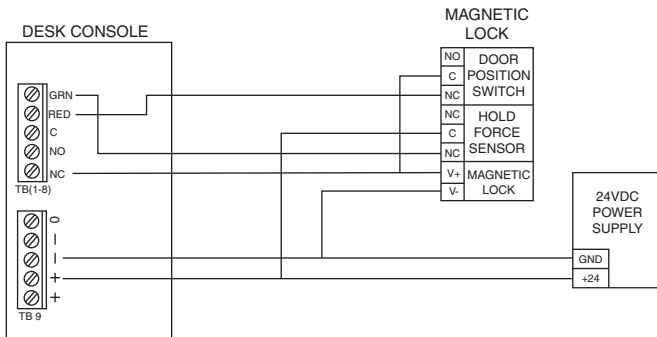
- When pushbutton is depressed, the CHEXIT device is disarmed and the GREEN light is on.
- When pushbutton is released, the CHEXIT is armed and the pushbutton light is off.
- If the pushbar is depressed while the CHEXIT is armed, the RED light will come on and the alarm will sound.

Typical L1910 Wiring



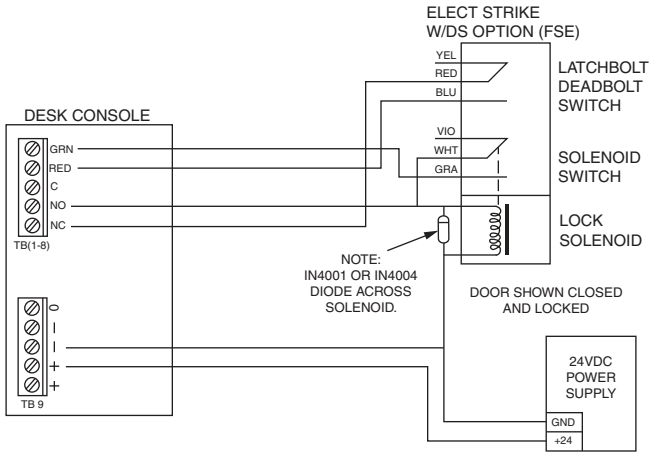
- When pushbutton is depressed, the L1910 horn is disarmed (passage through door allowed) and GREEN light in pushbutton will come on.
- When pushbutton is released, the L1910 horn is armed (passage through door will sound alarm) and RED light in pushbutton will come on.

Typical Magnetic Lock with DPS & HFS Option Wiring



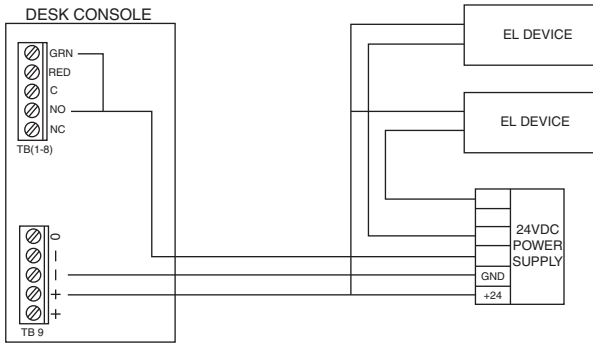
- When pushbutton is depressed, the magnetic lock is unlocked and the GREEN light will come on.
- When the pushbutton is released, the magnetic lock is locked and the pushbutton light is off.
- If the door is forced open while the magnetic lock is locked, the RED light will come on and the alarm will sound.

Typical 6000 Series Electric Strike Wiring



- When pushbutton is depressed, the electric strike is unlocked and the GREEN light is on.
- When pushbutton is released, the strike is locked and the pushbutton light is off.
- If the door is forced open while the strike is locked, the RED light will come on and the alarm will sound.

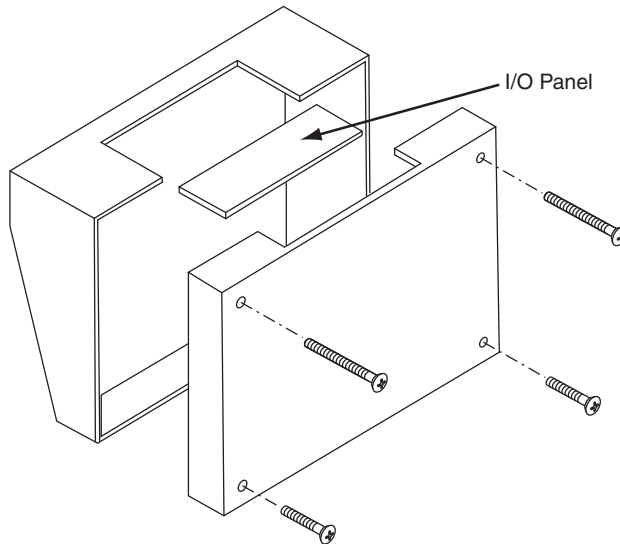
Typical EL Device Wiring



- When pushbutton is depressed, the EL devices are unlocked and the GREEN light in the pushbutton will come on.
- When pushbutton is released, the EL devices are locked and the pushbutton light is off.
- **Refer to PS914 x 900-2RS PCB instructions for proper wiring instructions for the EL device.**

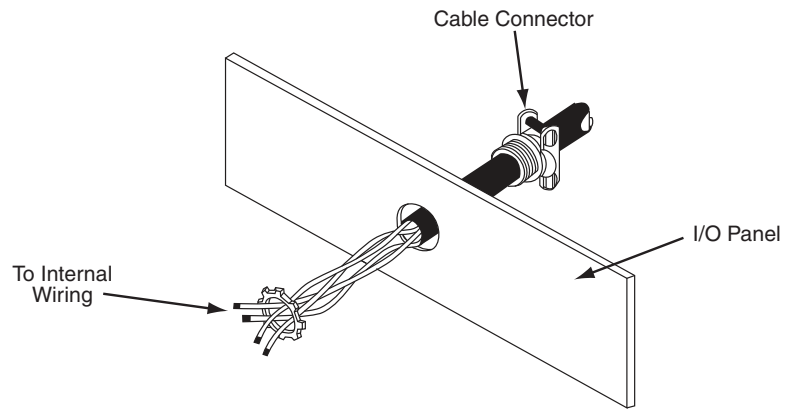
INSTALLATION/WIRING

1 REMOVE ALL FOUR (4) SCREWS



2 REMOVE I/O PANEL AND DRILL HOLE FOR WIRE USED

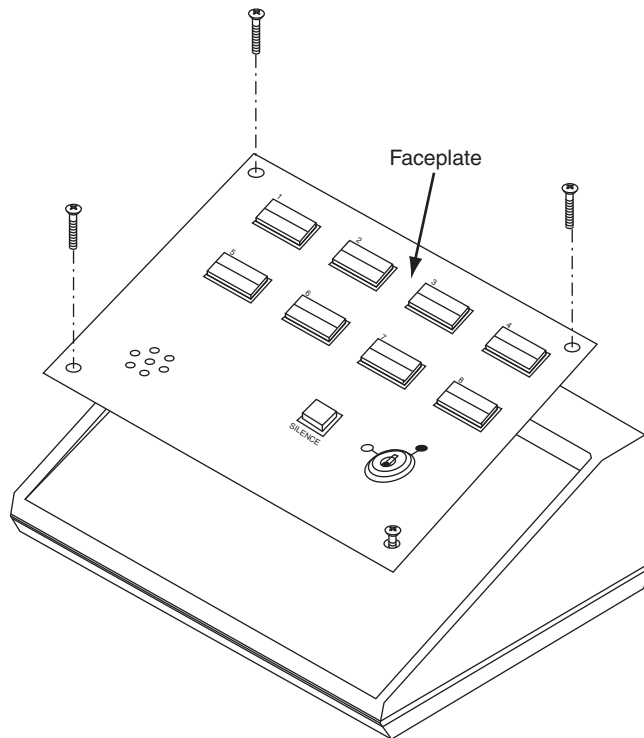
If required, use a strain relief or cable connector for wires.



Conduit Size	Drill Size
1/2"	7/8"
3/4"	1 1/8"

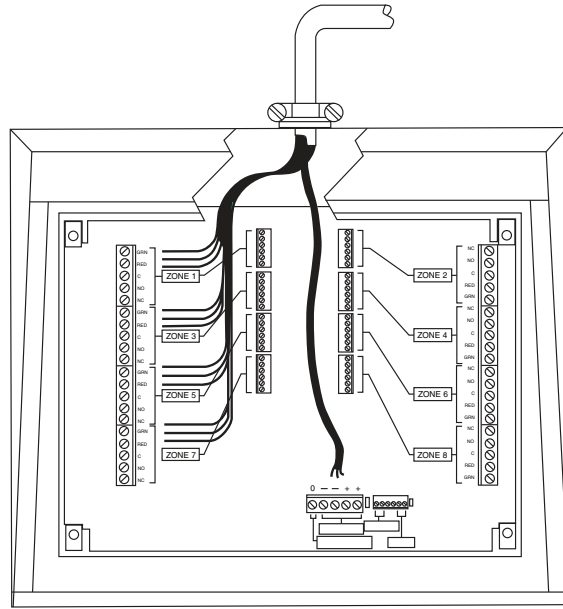
3 REASSEMBLE BOX

4 REMOVE ALL FOUR (4) FACEPLATE SCREWS



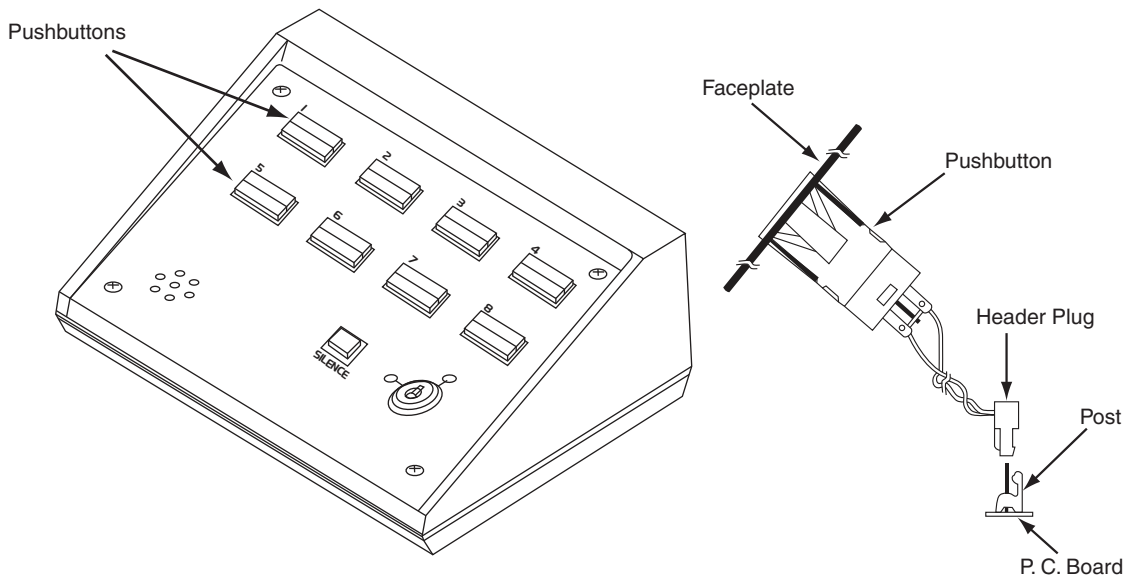
5 CONNECT PROPER GAUGE WIRE TO THE APPROPRIATE TERMINALS AS REQUIRED

- TB1 corresponds to pushbutton 1, TB2 to pushbutton 2, etc.
- Keep excess wire out of console for easier installation.
- For ease of wiring, faceplate with pushbuttons can be unplugged and reconnected later.



6 RECONNECT PUSHBUTTONS, IF NEEDED

Make sure they are properly polarized, then replace faceplate and secure screws.



TROUBLESHOOTING

Pushbutton contacts and lights do not work

- Check that the pushbutton connector is fully seated in the proper plug

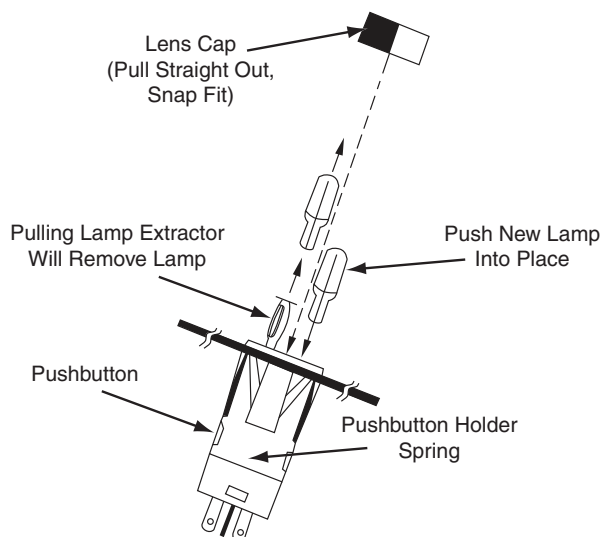
Lamp does not work

- Check for 24 VDC on the RED or GRN terminal
 - Replace the bulb - see Maintenance
-

MAINTENANCE

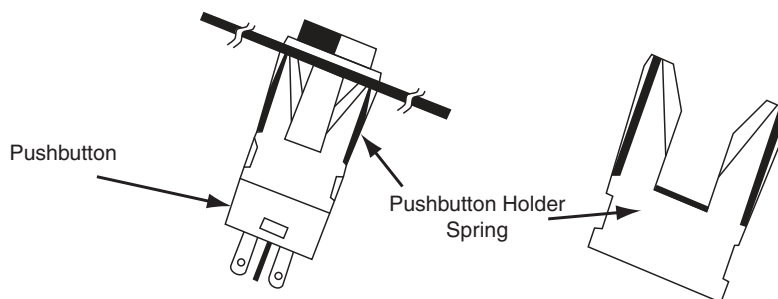
Lamp Replacing

Replace with #85 lamp as shown below



Replacing/Adding a Pushbutton

Pushbuttons can be replaced, changed (either from maintained to momentary, or vice versa) or added. With the faceplate removed, using a small flathead screwdriver, remove the two pushbutton holder springs. Remove the pushbutton assembly from the faceplate.



Note: Make sure pushbuttons are plugged into the proper zones per Table 1 and the red lens is in the lower position.

Cleaning

Use a mild cleaner to clean the console off.

Do not spray directly onto the face.

USER SELECTABLE OPTIONS

1. **Pushbutton common isolation:** Normally all pushbutton commons are connected to +PWR INPUT when keyswitch is ON. To isolate any pushbutton from +PWR INPUT voltage, cut proper diode (CR20-27) see Table 1.
2. **NC contact control:** When the keyswitch is in the OFF position, the NC output is powered (pushbutton has no control). To control NC contacts, select and cut proper diode (CR9-16), see Table 1.
3. **Red terminal latch disable:** Application of 24 VDC to the RED terminal not only lights the RED light, but latches the internal buzzer and 24 VDC on the Alarm Output. If the latching feature is not desired on a zone, cut proper diode (CR1-8), see Table 1.

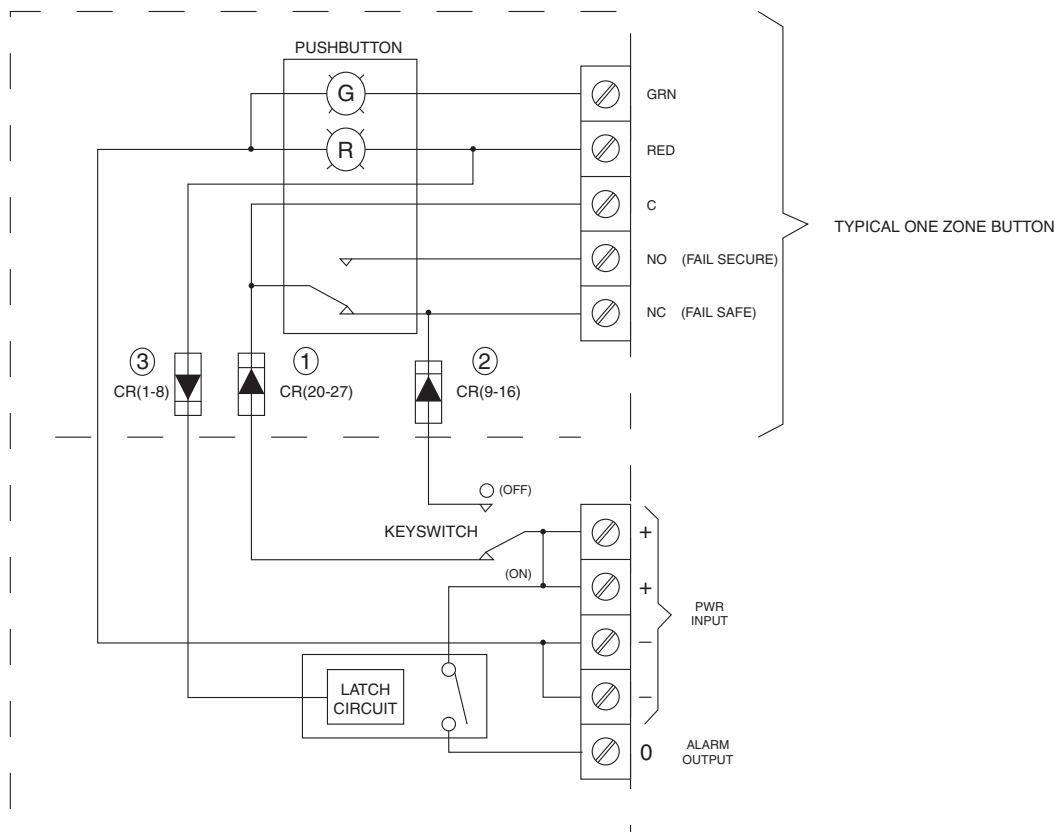


Table 1

Pushbutton (or TB#)	1	2	3	4	5	6	7	8
PCB Plug	P1	P2	P3	P4	P5	P6	P7	P8
Pushbutton Common Isolation	CR20	CR21	CR22	CR23	CR24	CR25	CR26	CR27
NC Contact Control	CR9	CR10	CR11	CR12	CR13	CR14	CR15	CR16
Red Term. Latch Disable	CR1	CR2	CR3	CR4	CR5	CR6	CR7	CR8

Customer Service

1-877-671-7011

www.allegion.com/us

