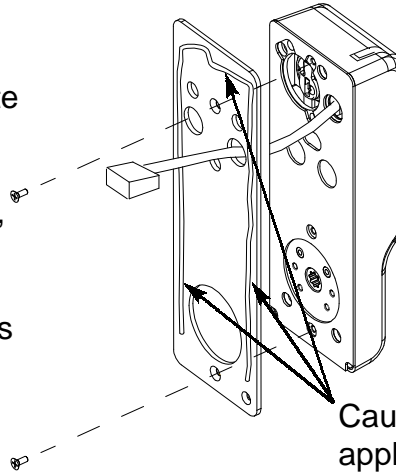
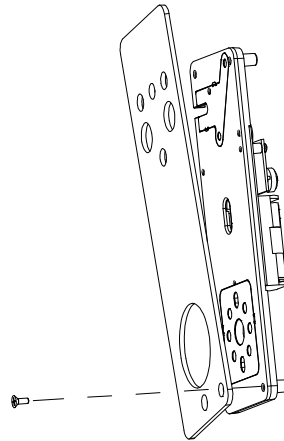


IMPORTANT! Locks used with the LRP kit must have been ordered with door thickness kit 1/4" larger than actual door thickness.

1. Feed wire harness through appropriate hole as shown. Secure LRP to outside escutcheon using two #10-24x1/4" screws. If the lock is on an exterior door, be sure to apply the exterior gasket between the LRP and the outside escutcheon and apply a bead of caulk as shown. Do not caulk along the bottom.



2. Assemble the other LRP to the inside baseplate using one #8-32x1/4" screw as shown. Leave the screw loose enough to pivot the LRP about.



3. Install assemblies to door using standard instructions. When installing the inside base plate swing the LRP outward so wire harness can fit through hole - then swing it back to line up with edges and tighten the #8-32 screw. Complete the installation using the standard instructions.

