

Monitor Strikes



Overview

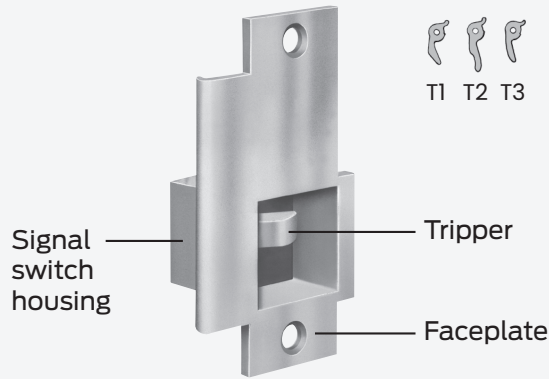
Monitor strikes are designed to offer remote door monitoring through the use of a signal switch mounted in the strike to monitor the latch bolt. This series of monitor strikes is designed for use with Von Duprin and most other manufacturers' rim, mortise, surface and concealed vertical rod exit devices and cylindrical, mortise and unit type locks.

The monitor strike replaces the standard door strike. The tripper in the monitor strike is depressed when the latch bolt is fully inserted in the strike. The stainless steel tripper activates an electric switch.

Features & Benefits

- UL listed as "miscellaneous door accessory"

Monitor Strike Overview



Note: Tripper selection is based on the throw and shape of the latch bolt.

Monitor Strike Electrical Rating

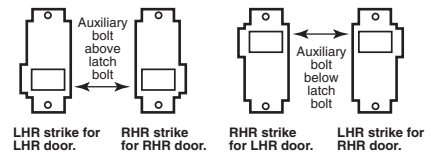
SPDT switch (single pole double throw)	24VDC @ 2 Amps (resistive)
--	----------------------------



Model Specifications

Model #	4263	4268-T1	4582
Lockset	Rim or surface vertical rod exit devices	Rim fire exit devices	Mortise or cylindrical locks
# Doors	Single or pair	Single	Single or pair
Compatibility (with tripper type)	Von Duprin 22, T3 2227, T1 33A/35A, T3 3327A/3527A, T3 44, T1 55, T1 88, T1 8827, T1 98/99, T3 9827/9927, T1 Falcon 24-R, 25-R, T3 (3/49" [19mm] throw) Yale® 1500, T1 (5/89" [16mm] throw)	Von Duprin 22/22-F 33A/35A 88/88-F 98/99 98-F/99-F	Schlage 3/4" (19mm) Cyl., T2 L90, T2 Falcon 5/8" (16mm) ML (LR), T2 Arrow™ 5/8" (16mm) ML (LR), T1 Corbin Ruswin® 5/8" (16mm) ML (LR) 5999 ML (LR), T2 Yale® 5/8" (16mm) ML (LR), T2
Certifications		UL list (GXHX R4504) fire exit hardware	UL List (GXHX R4504) fire exit hardware
Application Notes	1	2	3

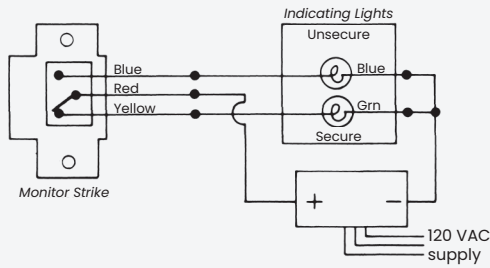
Caution: proper selection of handing required.



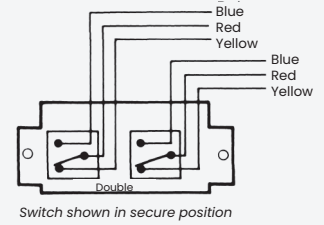
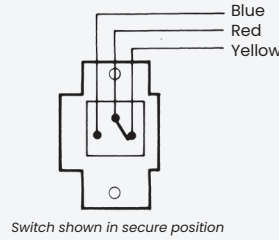
Application Notes

1. The 4263 is non-handed and features horizontal adjustment to compensate for misalignment of door and frame. 4263 may be used with a mullion. Tripper selection (-T1 or -T3) is based upon the lock to be used with.
2. The 4268 features horizontal adjustment to compensate for misalignment of door and frame. 4268-T1 is not for use with mullions.
3. For use on single or pair of doors with ANSI 115.3 frame cutout (frame modification required.) Tripper selection (-T1 or -T2) is based upon the lock to be used.

Basic Monitor Strike Circuit



Power supply same voltage as lamps with sufficient current capabilities



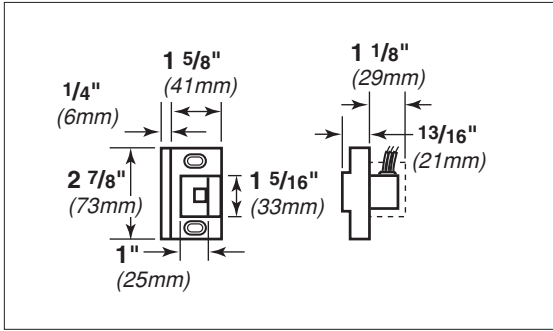
Model Specifications

Model #	4570-T1	4670-T1	4690-T2	4690-1-T2
Lockset	Cylindrical locks	Cylindrical locks	Concealed vertical rod exit devices	Concealed vertical rod exit devices
# Doors	Single or pair	Single or pair	Wide stile pair of doors	Narrow stile pair of doors
Compatibility (with tripper type)	Schlage 1/29" (13mm) Cyl. 5/89" (14mm) Cyl. Falcon 1/29" (13mm) Cyl. 9/169" (14mm) Cyl. Adams Rite® 4510 8400 Arrow™ 1/29" (13mm) Cyl. Best® 9/169" (14mm) Cyl. Corbin Russwin® 5/89" (16mm) Cyl. Dexter® 7/169" (11mm) Cyl. Kwikset® 1/29" (13mm) Cyl. Precision™ 1040 Automatic Flush Bolt ¹ Sargent® 1/29" (13mm) Cyl. Yale® 1/29" (13mm) Cyl.	Schlage 1/29" (13mm) Cyl. 5/89" (14mm) Cyl. Falcon 1/29" (13mm) Cyl. 9/169" (14mm) Cyl. Adams Rite® 4510 8400 Arrow™ 1/29" (13mm) Cyl. Best® 9/169" (14mm) Cyl. Corbin Russwin® 5/89" (16mm) Cyl. Dexter® 7/169" (11mm) Cyl. Kwikset® 1/29" (13mm) Cyl. Precision™ 1040 Automatic Flush Bolt ¹ Sargent® 1/29" (13mm) Cyl. Yale® 1/29" (13mm) Cyl.	Von Duprin 3347A-F 3347A 9947 9947F	Von Duprin 3347A
Certifications			UL list (GXHX R4504) fire exit hardware	
Application Notes	1	2	3	4

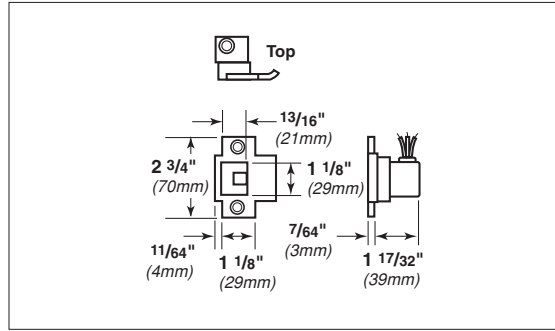
¹Special template required

Dimensions

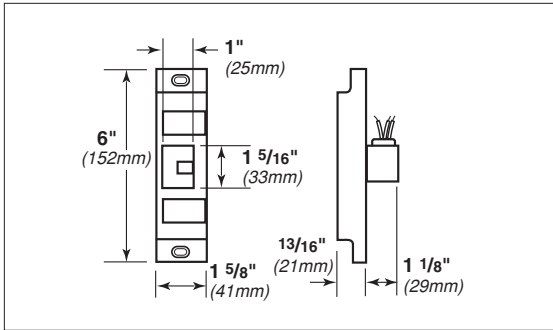
4263



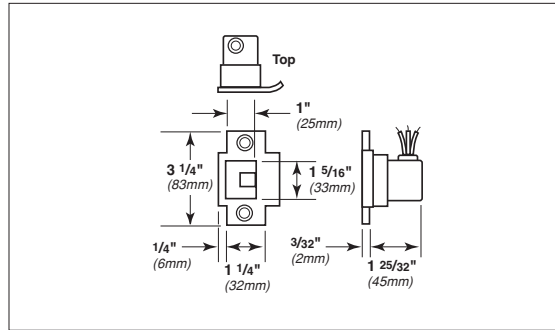
4670-T1



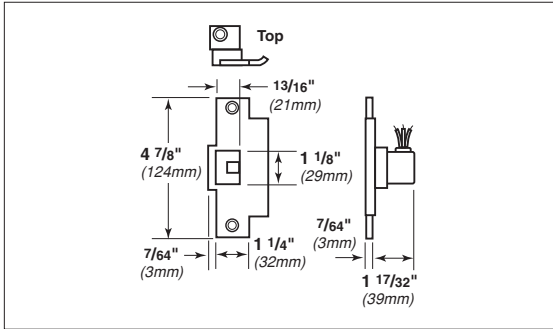
4268-T1



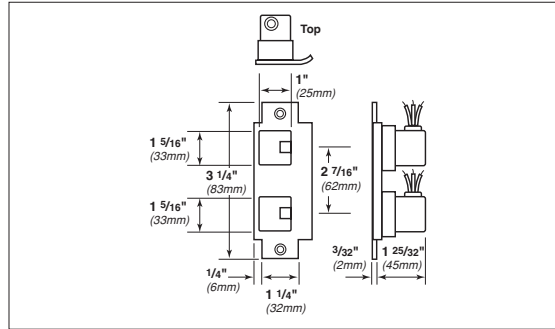
4690-T2



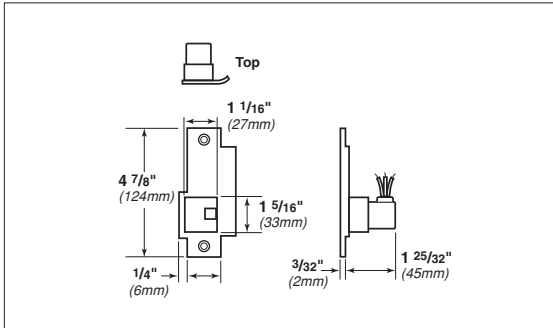
4570-T1



4690-1-T2



4582



To Order Specify

- Model
- Tripper T1, T2, or T3
- Handing required on model 4582
- Specify LHR or RHR
- Finish: US3, US4, US10, US10B, US26, US26D

Allegion, the Allegion logo, Von Duprin, and the Von Duprin logo are trademarks of Allegion plc, its subsidiaries and/or affiliates in the United States and other countries. All other trademarks are the property of their respective owners.