



921035-00

# 230DT/EO/NL

# VON DUPRIN®

TRIM

Installation Instructions

1. Prepare door for exit device or 330/350 Push Bar. See exit device or 330/350 Push Bar instructions for holes and center lines.
2. Prepare door for trim:
  - A. Transfer vertical center line from inside face of door to outside face of door. Use extra care if edge of door is beveled. Be sure center line is parallel to edge of door.
  - B. Locate and prepare holes as shown.
3. For NL trim only, install rim cylinder (Figure 1) and install tailpiece guide in exit device cam (Figure 2).
4. Apply trim.
5. If using trim with exit device, apply exit device, thru-bolt to trim (4 places), and use screw and #12 countersink washer for lower trim mounting stud.

If using trim with 330/350 Push Bar, use screw with #12 countersink washer for lower trim mounting stud and four screws with #10 countersink washers for other trim mounting studs.

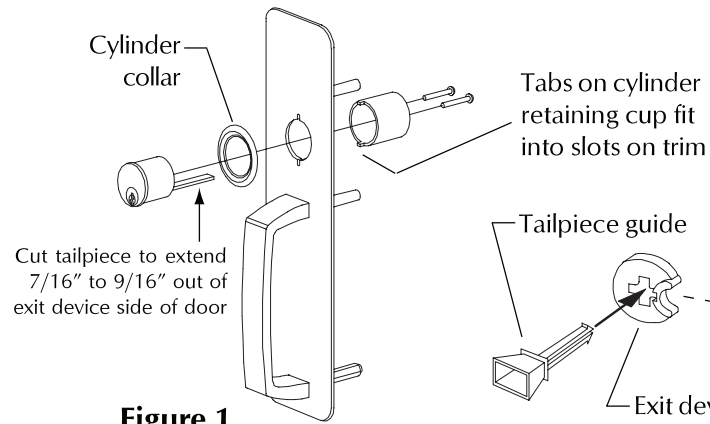


Figure 1

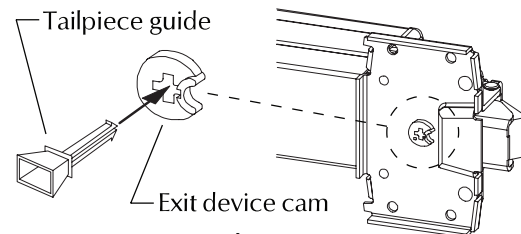
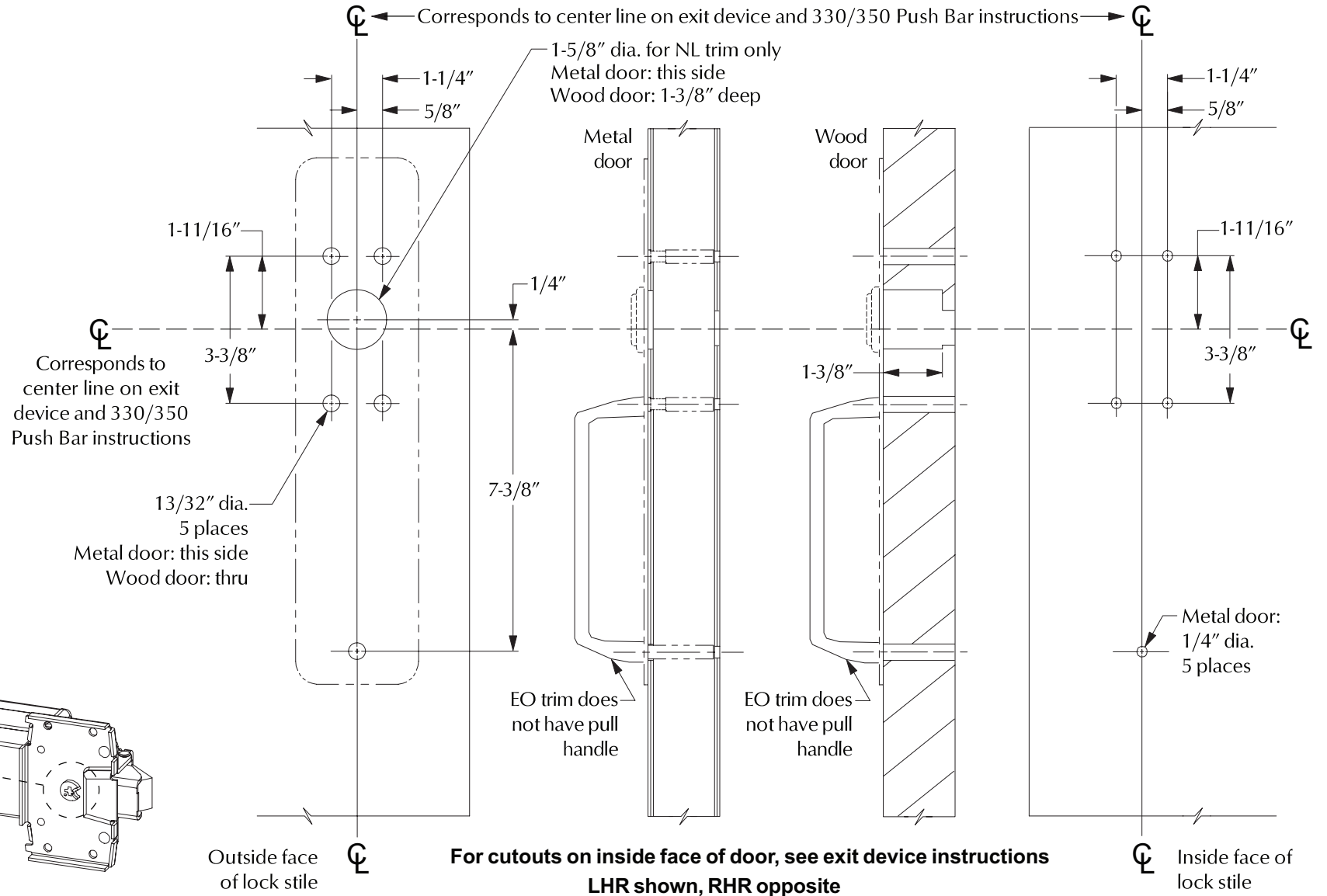


Figure 2



Customer Service

1-877-671-7011 www.allegion.com/us



© Allegion 2014  
Printed in U.S.A.  
921035-00 Rev. 01/14-c