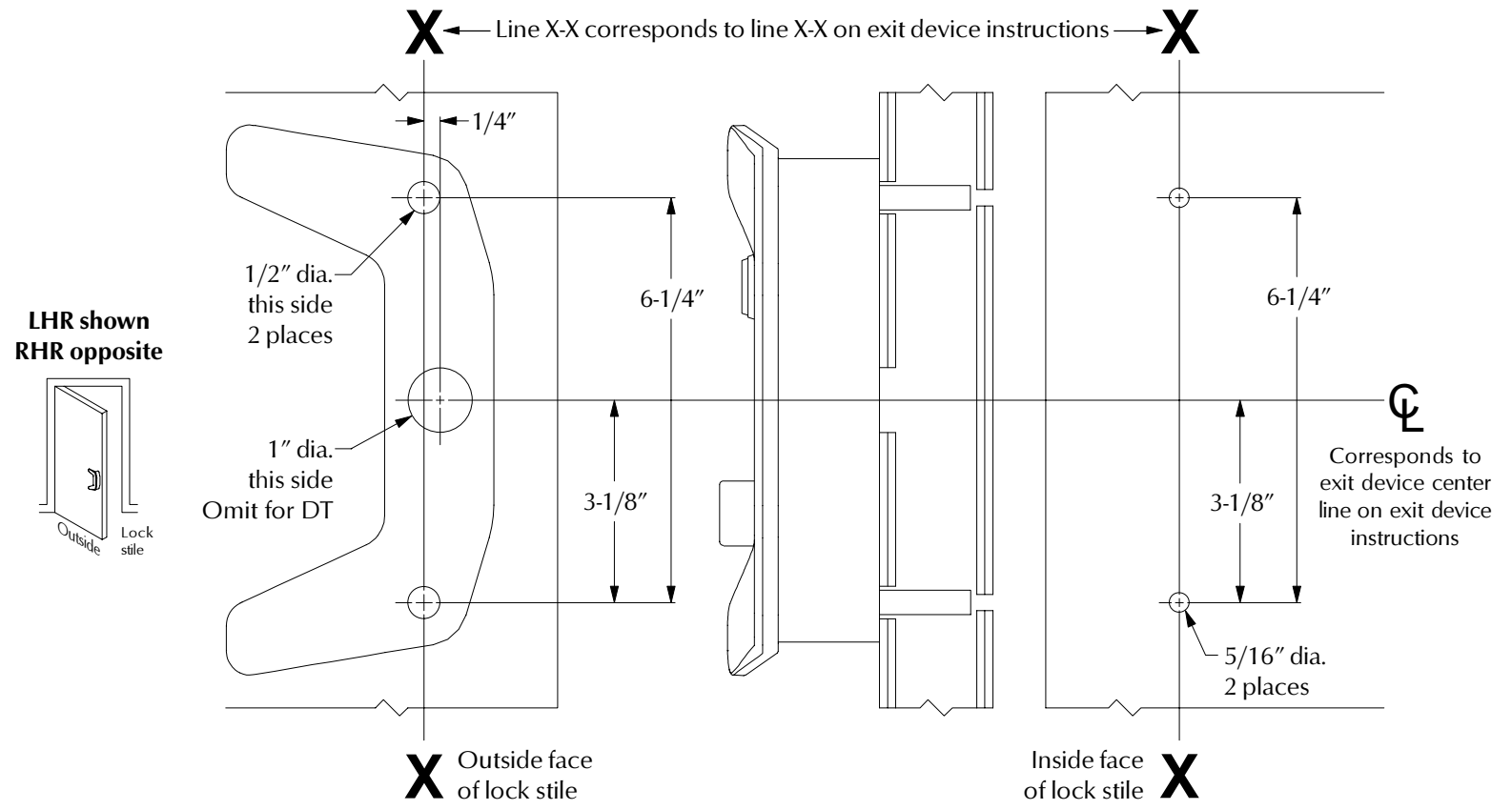


# VON DUPRIN®

## INSTALLATION INSTRUCTIONS

1. Prepare door for exit device. See exit device instructions for holes, line X-X, and center lines.
2. Prepare door for trim:
  - A. Transfer line X-X from inside (exit device side) of door to outside (trim side) of door. Use extra care if edge of door is beveled. Be sure center line X-X is parallel to edge of door.
  - B. Locate and prepare holes as shown.
3. Prepare trim:
  - A. For NL function, remove TP adapter cam and install NL adapter cam (see other side).
  - B. For NL or TP functions, change handing if necessary (see other side).
  - C. For NL or TP function, install cylinder (see other side).
4. Apply trim.
5. Apply exit device.



For cutouts on inside face of door, see exit device instructions



**333DT/NL/TP TRIM**  
FOR 33/3527 DEVICE ON METAL DOOR

Copyright © 2004 Ingersoll-Rand.  
All rights reserved.

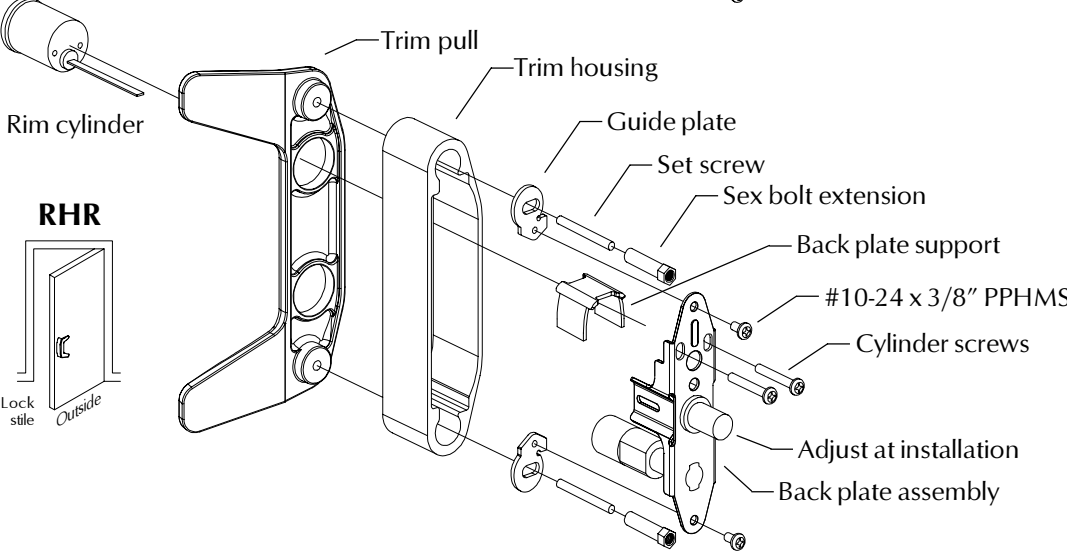
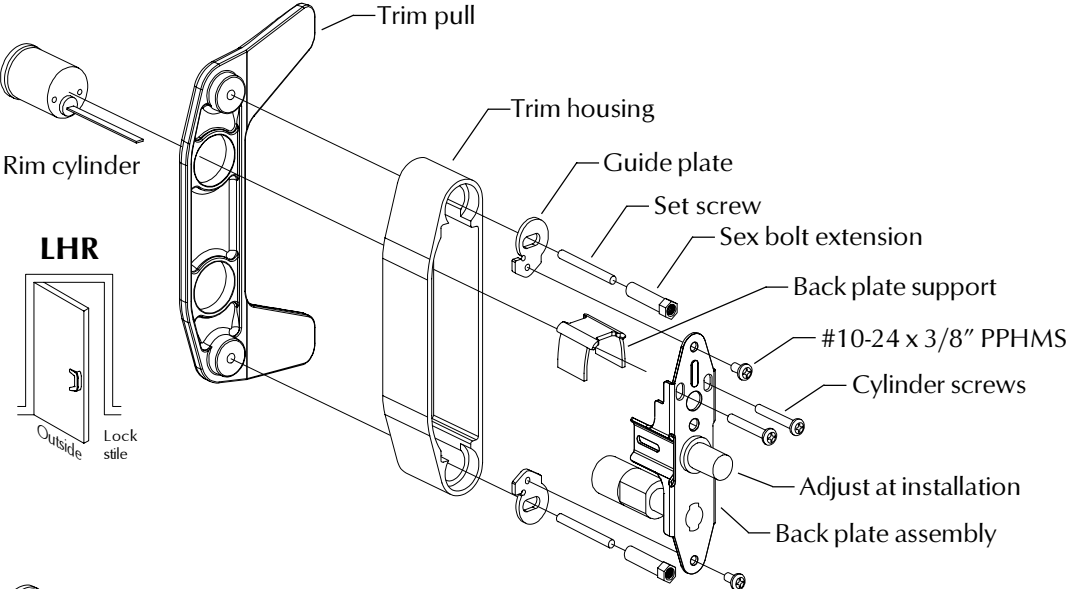
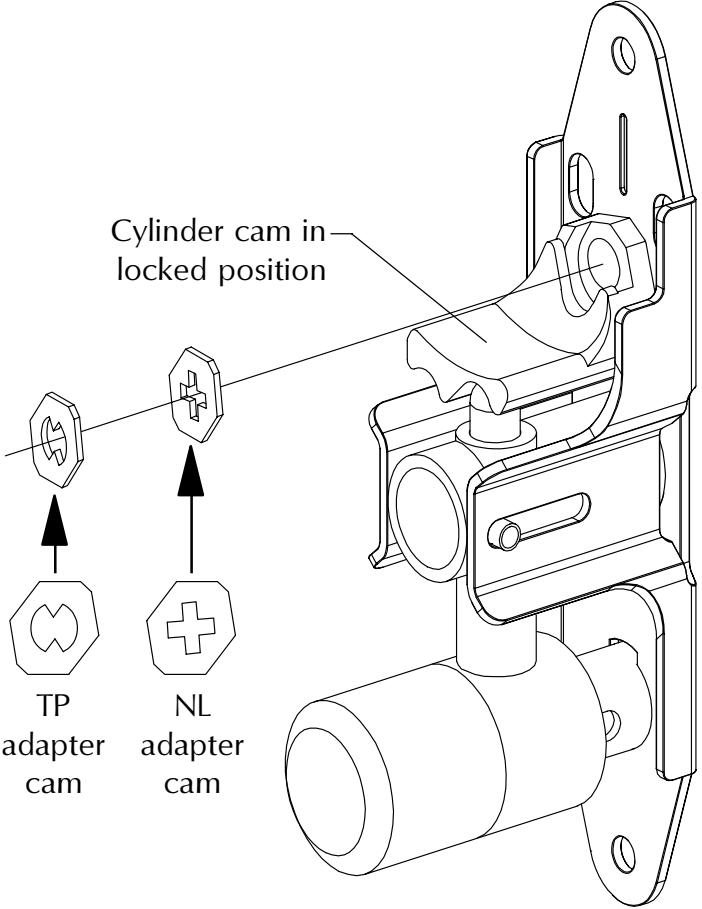
PAGE NO.  
**1 of 2**

REVISION  
**6**



**921023-00**

# VON DUPRIN®



**IR Security & Safety**  
Proven Source. Proven Solutions.™

**333DT/NL/TP TRIM**  
FOR 33/3527 DEVICE ON METAL DOOR

921023-00

Copyright © 2004 Ingersoll-Rand.  
All rights reserved.

PAGE NO.  
**2 of 2**

REVISION  
**6**