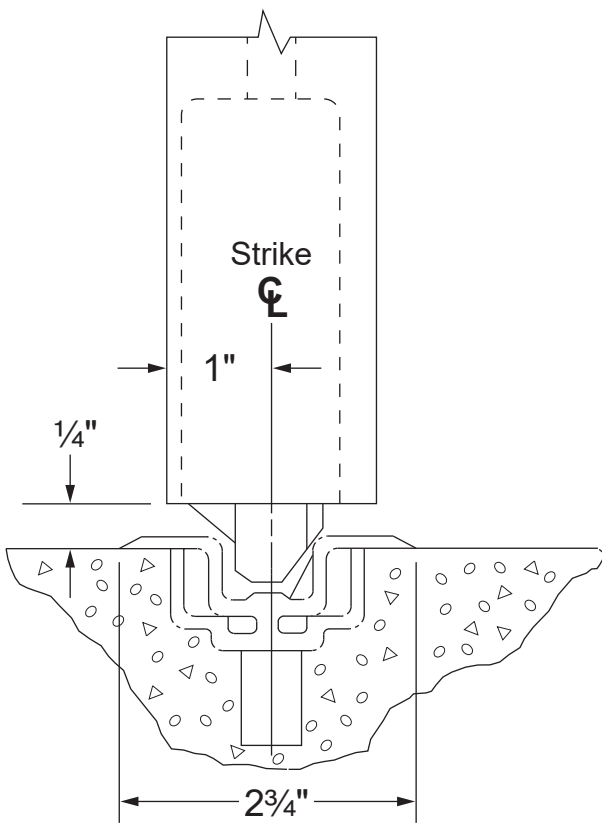
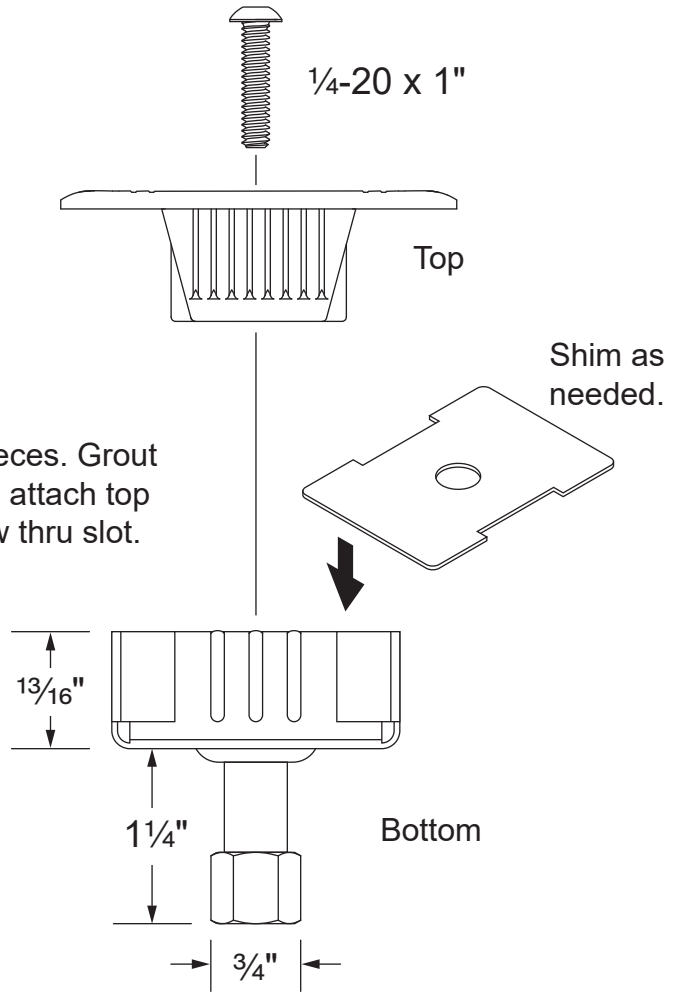


The 385A strike has two pieces. Grout bottom piece into floor and attach top piece to bottom with screw thru slot.



#### DEVICE SCHEDULE

2227	2227-F
33/3547A	33/3547A-F
33/3548A	33/3548A-F
98/9947	98/9947-F
98/9948	98/9948-F
98/9947WDC	98/9947WDC-F
7527	7527-F
7547	7547-F
7827	7827-F
7847	7847-F
7847WDC	7847WDC-F

### 385A BOTTOM STRIKE TEMPLATE

**VON DUPRIN®**

NOTES: SEE MASTER SHEET #10001 FOR SUGGESTED REINFORCING

TEMPLATE NUMBER: 941371-00\_b

DATE: 04-10-24