



931200-00

Monitor Strike

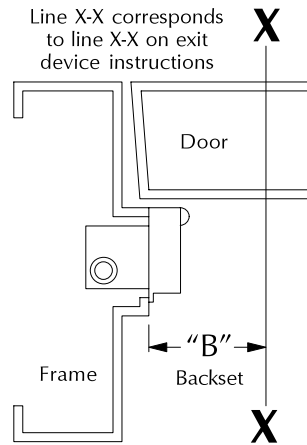
4263

VON DUPRIN®

Installation Instructions

INSTALLATION INSTRUCTIONS

1. Prepare door for exit device (see Figure 1 and exit device instructions).
2. Prepare frame for monitor strike (see Figure 2 and Figure 3).
3. Connect wires from strike to lead (see Figure 4).
4. Secure strike to frame using the two (2) #12-24 screws in the mounting hardware package.
5. Check operation of monitor strike.



| Single Door Installation | | |
|--------------------------|-------------|------------|
| Device | "B" Backset | Min. Stile |
| 22 Rim | 2-3/8" | 4-3/8" |
| 33/35 Rim | 1-13/32" | 2-15/16" |
| 33A/35A Rim | 1-13/32" | 2-7/8" |
| 44 Rim, EO, DT, NL, TP | 2-1/2" | 4-3/8" |
| 44 Rim K | 2-3/8" | 4-3/8" |
| 55 Rim | 1-11/32" | 2-13/16" |
| 88 Rim, EO, DT, NL, TP | 2-1/2" | 4-3/8" |
| 88 Rim K | 2-3/8" | 4-3/8" |
| 98/99/900 Rim | 2-3/8" | 4-3/8" |

Figure 1. Backset for Single Door Installation

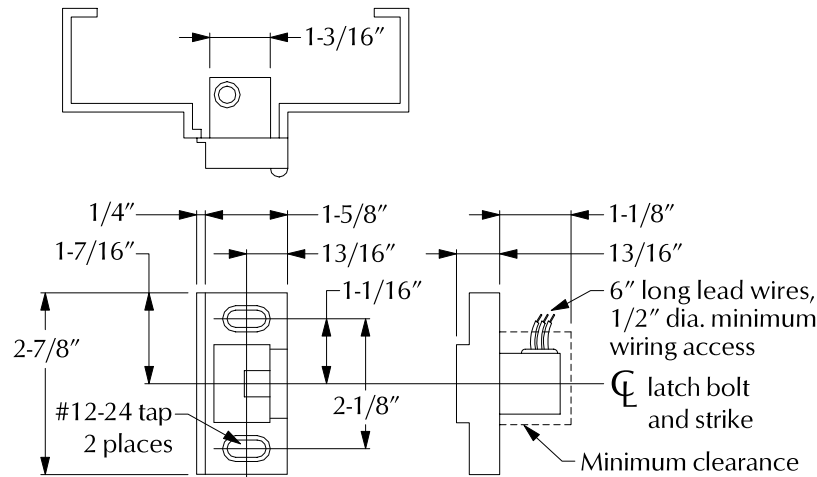


Figure 2. Strike Dimensions

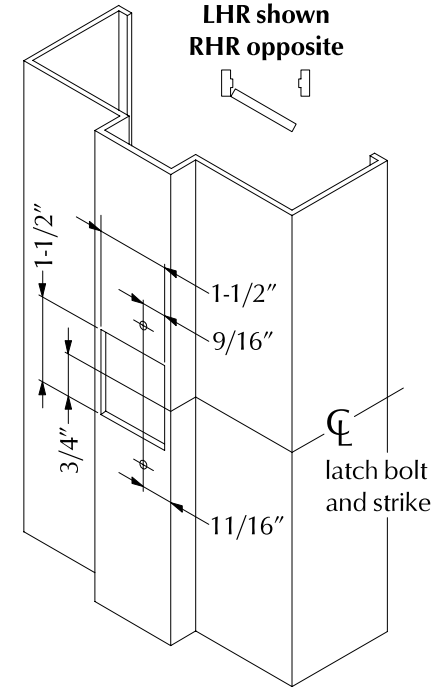
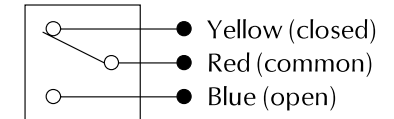


Figure 3. Strike Cutout



Switch position shown with tripper depressed (latch bolt in strike)

Figure 4. Switch Wiring

Customer Service

1-877-671-7011

www.allegion.com/us



© Allegion 2014
Printed in U.S.A.
931200-00 Rev. 01/14-b