

INSTALLATION INSTRUCTIONS

1. PREPARE INSIDE FACE OF LOCK STILE FOR DEVICE

A. SEE DEVICE DIRECTION FOR HOLES, CORRECT BACKSET AND LOCATION OF LINE X-X.

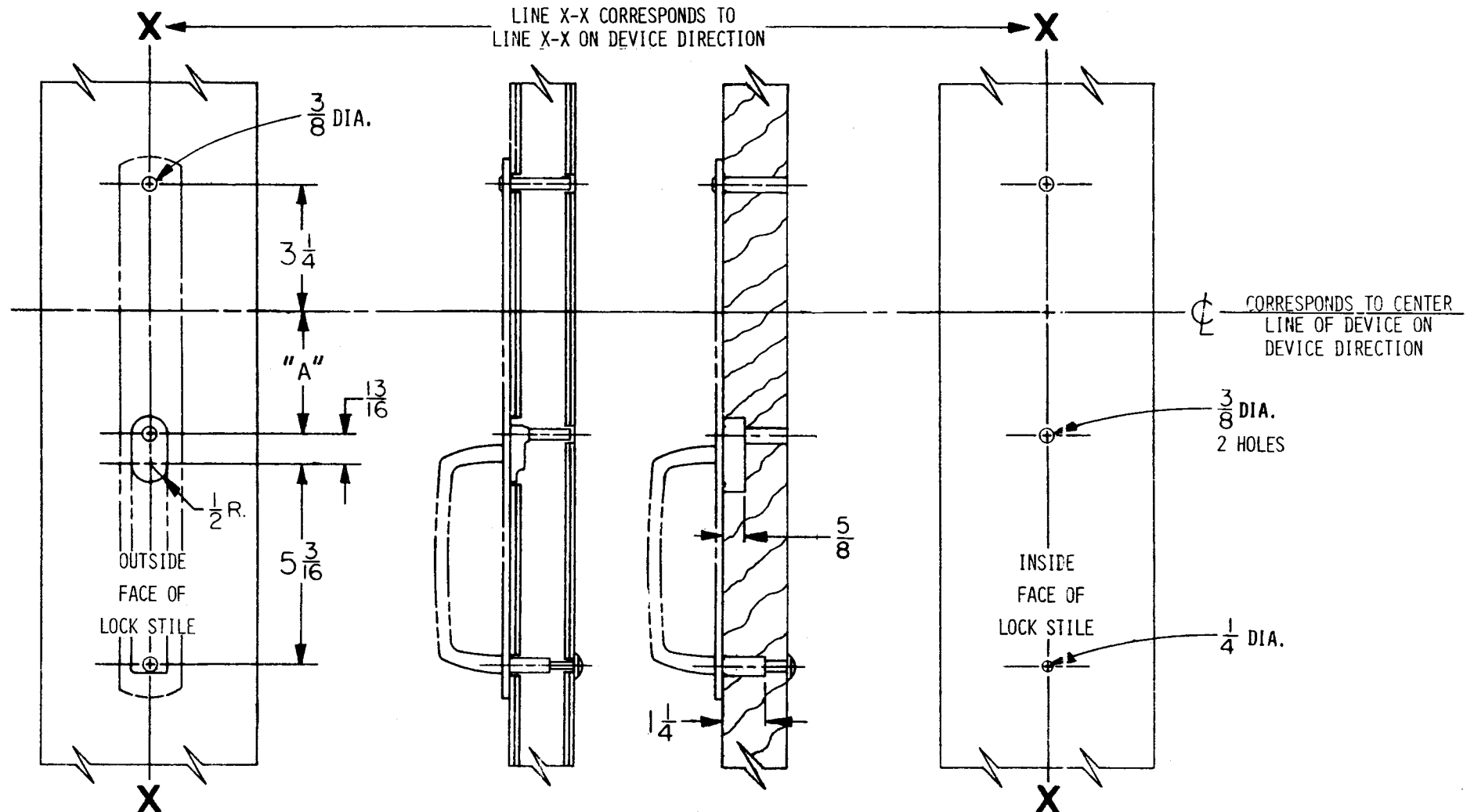
2. PREPARE OUTSIDE FACE OF LOCK STILE FOR TRIM

A. TRANSFER LINE X-X FROM INSIDE FACE TO OUTSIDE FACE OF DOOR. BE SURE LINE X-X IS PARALLEL TO EDGE OF DOOR.

B. LOCATE AND PREPARE ALL HOLES AS INDICATED.

3. APPLY TRIM

4. APPLY DEVICE



DEVICE APPLICATION SCHEDULE					
DEVICE	DIM. "A"	DEVICE	DIM. "A"	DEVICE	DIM. "A"
66 RIM	3 1/4	66 MORT.	3 1/4	66 VERT.	3 1/4
77 RIM	3 1/4	77 MORT.	3 1/4	77 VERT.	3 1/4



© Allegion 2015
Printed in U.S.A.
921055-00 Rev. 06/15-b

Customer Service
1-877-671-7011 www.allegion.com/us

FOR CUTOUTS ON INSIDE FACE OF DOOR
SEE DIRECTIONS IN DEVICE CARTON.

DESCRIPTION
606DT TRIM

VON DUPRIN®	
DIRECTION NUMBER	21055-0
DATE	8-1-69