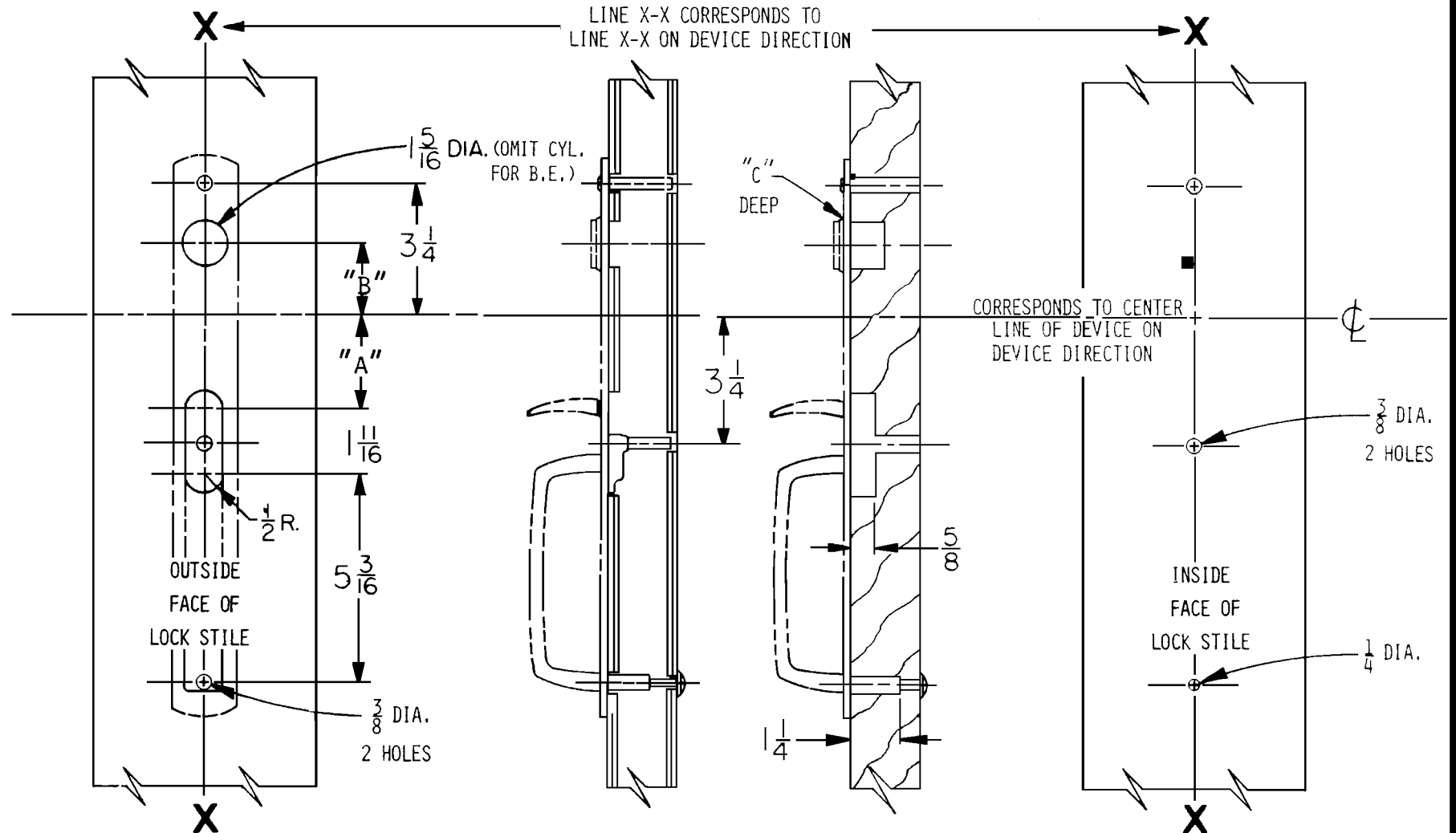


INSTALLATION INSTRUCTIONS

1. PREPARE INSIDE FACE OF LOCK STILE FOR DEVICE
 - A. SEE DEVICE DIRECTION FOR HOLES, CORRECT BACKSET AND LOCATION OF LINE X-X.
2. PREPARE OUTSIDE FACE OF LOCK STILE FOR TRIM
 - A. TRANSFER LINE X-X FROM INSIDE FACE TO OUTSIDE FACE OF DOOR. BE SURE LINE X-X IS PARALLEL TO EDGE OF DOOR.
 - B. LOCATE AND PREPARE ALL HOLES AS INDICATED.
3. APPLY TRIM
 - A. CUT CYLINDER TAILPIECE AND THUMBPIECE TO EXTEND BEYOND INSIDE FACE OF DOOR PER CHART BELOW.

DEVICE	PROJECTION INTO DEVICE CASE	
	CYL. TAILPIECE	THUMBPIECE
66	3/16 TO 1/4	5/8 TO 3/4
77	3/16 TO 1/4	5/8 TO 3/4

4. APPLY DEVICE



DEVICE APPLICATION SCHEDULE							
DEVICE	DIM. "A"	DIM. "B"	DIM. "C"	DEVICE	DIM. "A"	DIM. "B"	DIM. "C"
66 RIM	2 3/8	1/4	THRU	66 MORT.	2 3/8	2"	3/4
77 RIM	2 3/8	1/4	THRU	77 MORT.	2 3/8	2"	3/4

Customer Service
1-877-671-7011 www.allegion.com/us

ALLEGION
© Allegion 2015
Printed in U.S.A.
921057-00 Rev. 06/15-a

FOR CUTOUTS ON INSIDE FACE OF DOOR
SEE DIRECTIONS IN DEVICE CARTON.

DESCRIPTION
606TP & 606TP-BE TRIM

VON DUPRIN

DIRECTION NUMBER	21057-1	DATE	5-28-76
------------------	---------	------	---------