



931227-00

# 6211/6211DS

# VON DUPRIN

Electric Strike for Single Door Mortise or Cylindrical Application

Installation Instructions

- Notes:** Deadbolt will not function with this strike. Check with factory for retrofit applications.
- For lock or device preparation, see their directions.
  - Prepare frame for strike (see other side).
  - Wire strike (Figure 1). (Switches on 6211DS only.)
  - Install insert for auxiliary bolt operation (Figure 2).
  - Test strike: Apply solenoid power. Fail secure (FSE) lip unlocks. Fail safe (FS) lip locks. Figure 1 shows status of switches.

- Install strike with two #12-24 screws. Make sure clearance between latch bolt and strike lip is 1/32" (Figure 3). If not, uninstall strike, adjust (Figure 4), and reinstall.
- If latch bolt does not extend far enough to actuate tripper, install extension (Figure 5). (Tripper on 6211DS only.)
- Test door: With strike unlocked, door opens with latch bolt extended. When door closes, latch bolt rides over strike lip.

**SOLENOID POWER REQUIREMENTS**

Yellow solenoid wires: 12 VDC, 0.57 A  
 Black solenoid wires: 24 VDC, 0.29 A  
 (also shown on strike label)

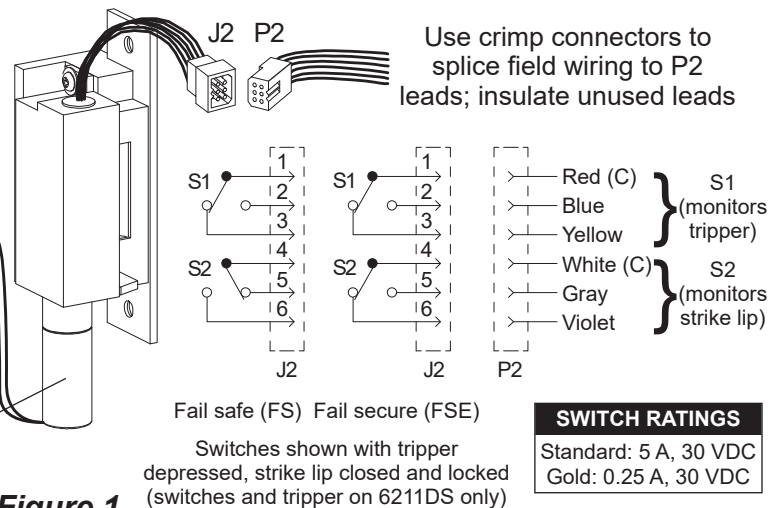
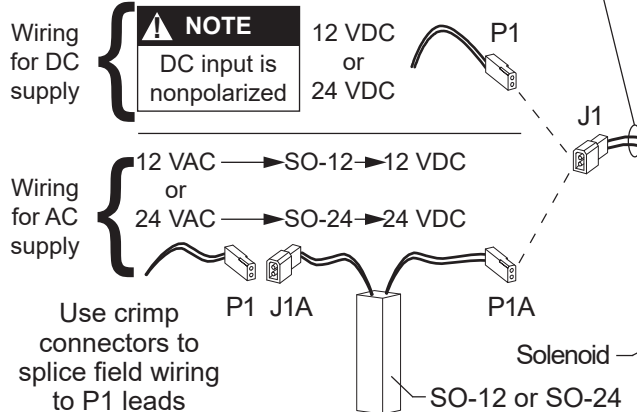
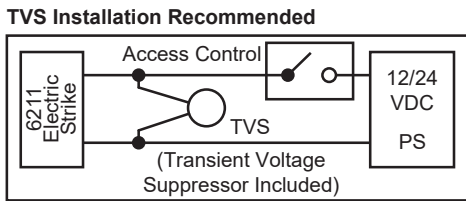


Figure 1

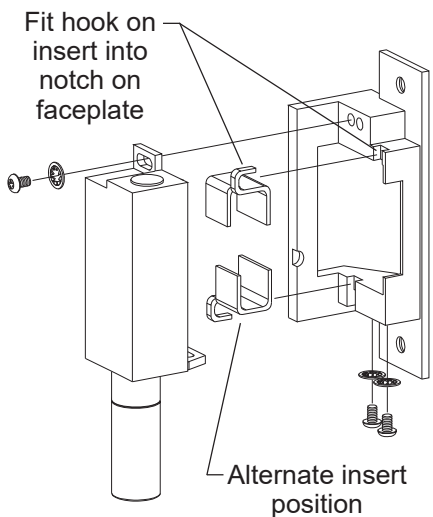


Figure 2

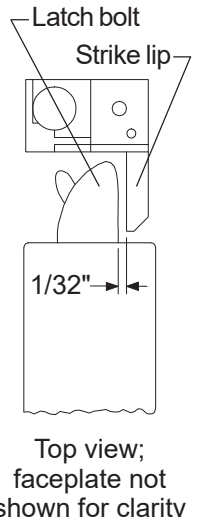


Figure 3

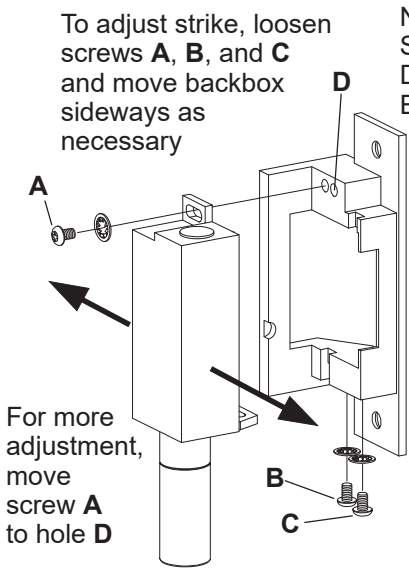


Figure 4

**NOTE:** Static Strength Rating 1500 lb. Dynamic Strength Rating 70ft.-lb. Endurance Rating 250,000 c.

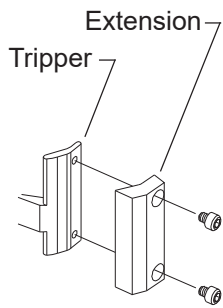
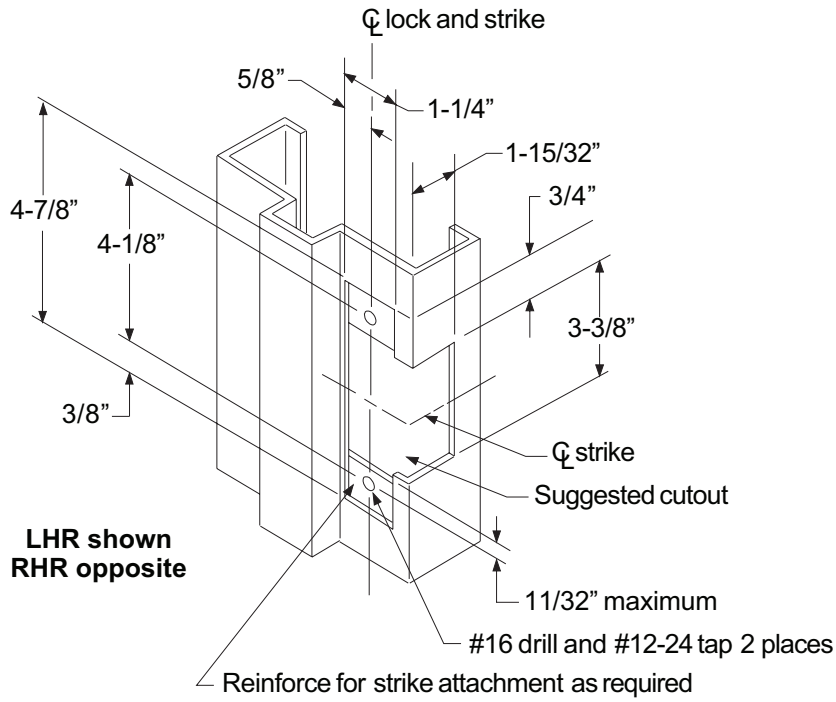


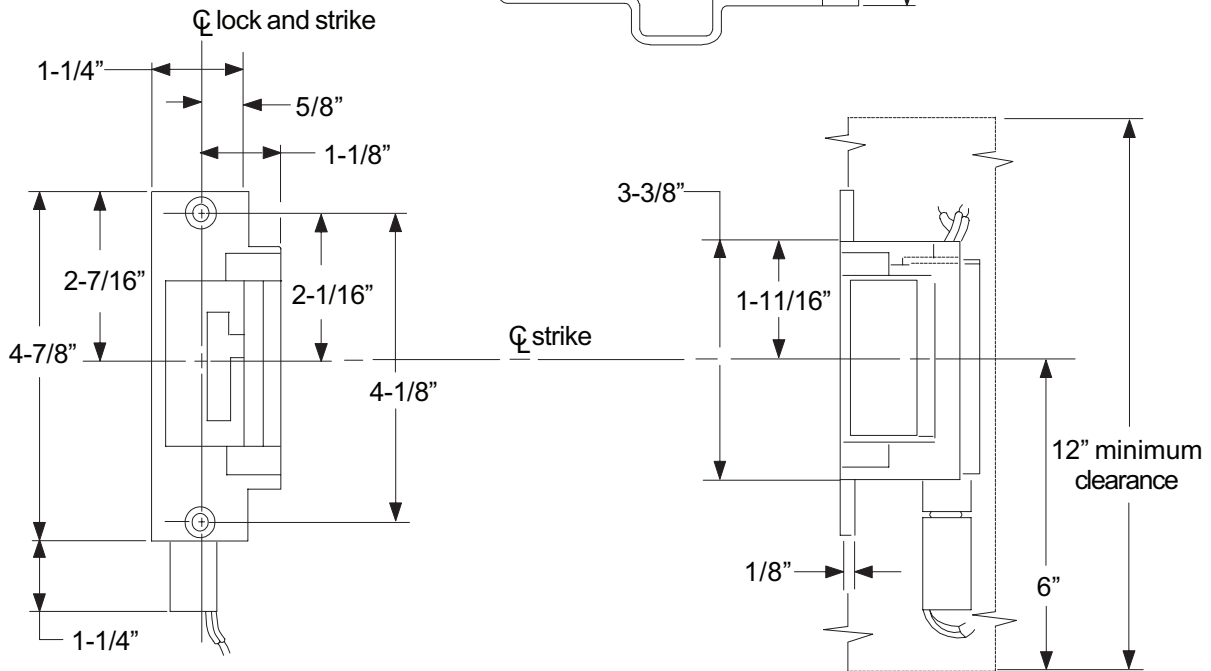
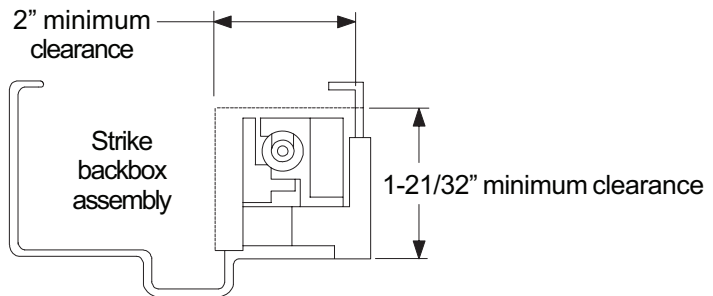
Figure 5



891336/IEEC



**Frame Preparation for Strike**



**Strike Dimensions and Required Clearances**