



# 6226/6226DS

# VON DUPRIN®

931241-00

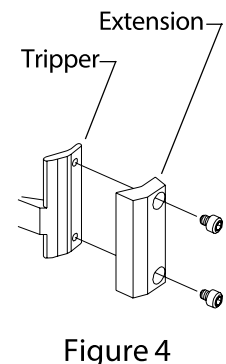
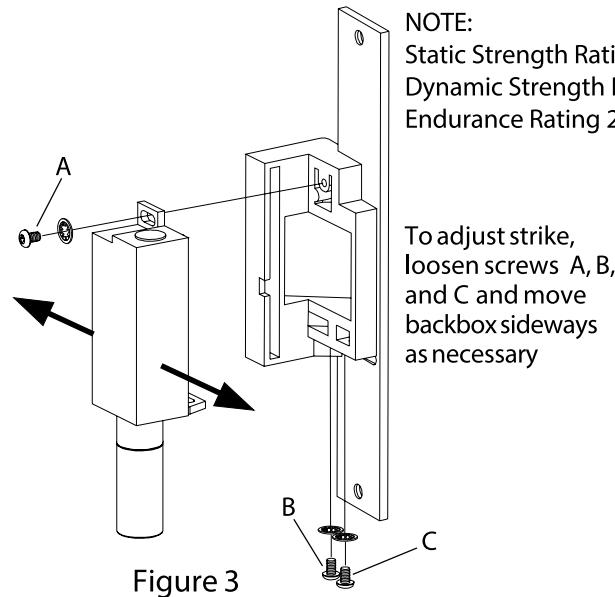
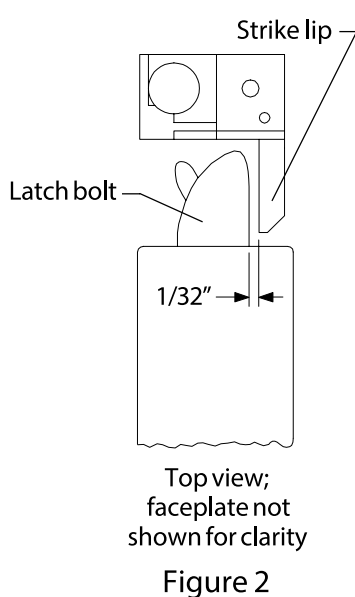
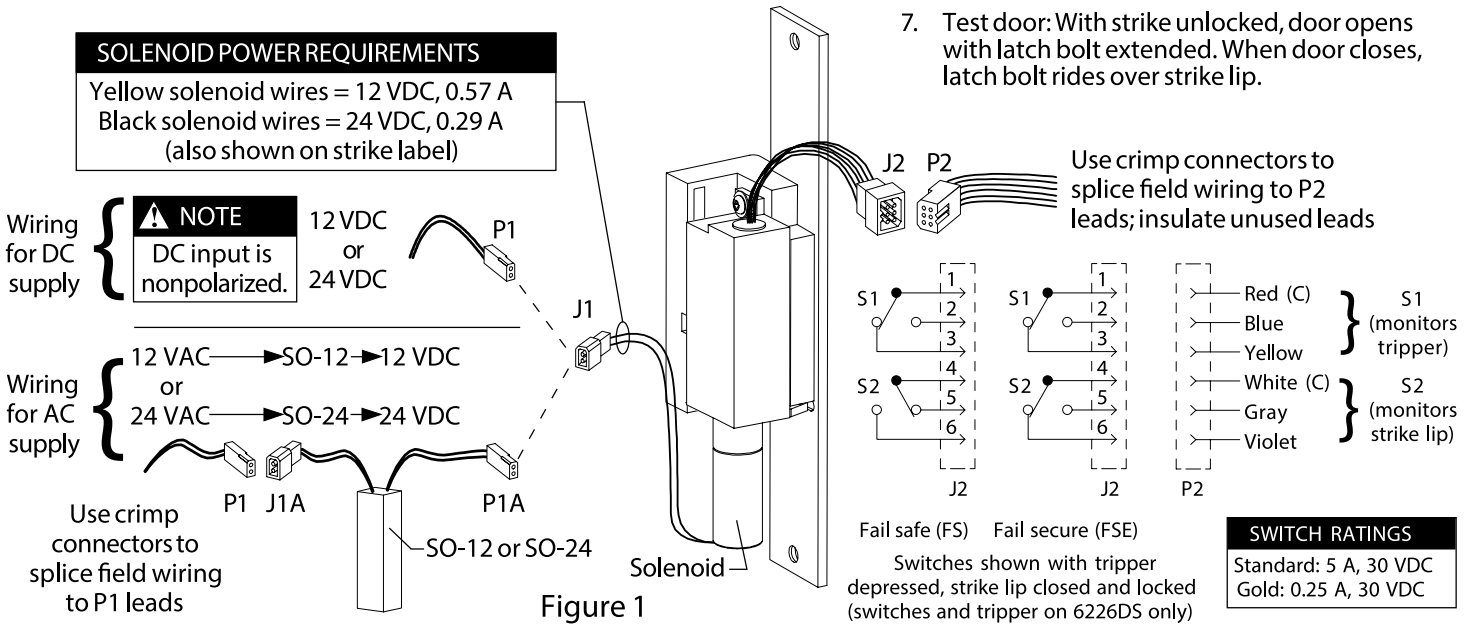
Electric Strike, Double Door Closed Back Mortise or Cylindrical Application

Installation Instructions

Notes: Deadbolt will not function with this strike. Check with factory for retrofit applications.

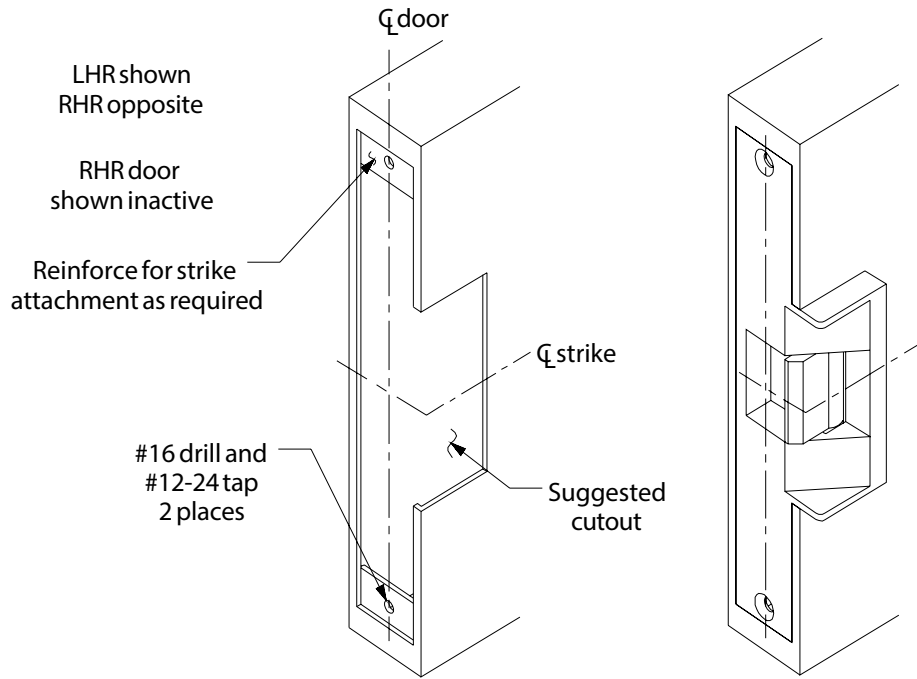
1. For lock or device preparation, see their directions.
2. Prepare door for strike (see other side).
3. Wire strike (Figure 1). (Switches on 6226DS only.)

4. Test strike: Apply solenoid power. Fail secure (FSE) lip locks. Fail safe (FS) lip locks. Figure 1 shows status of switches.
5. Install strike with two #12-24 screws. Make sure clearance between latch bolt and strike lip is 1/32" (Figure 2). If not, uninstall strike, adjust (Figure 3), and reinstall.
6. If latch bolt does not extend far enough to actuate tripper, install extension (Figure 4). (Tripper on 6226DS only.)

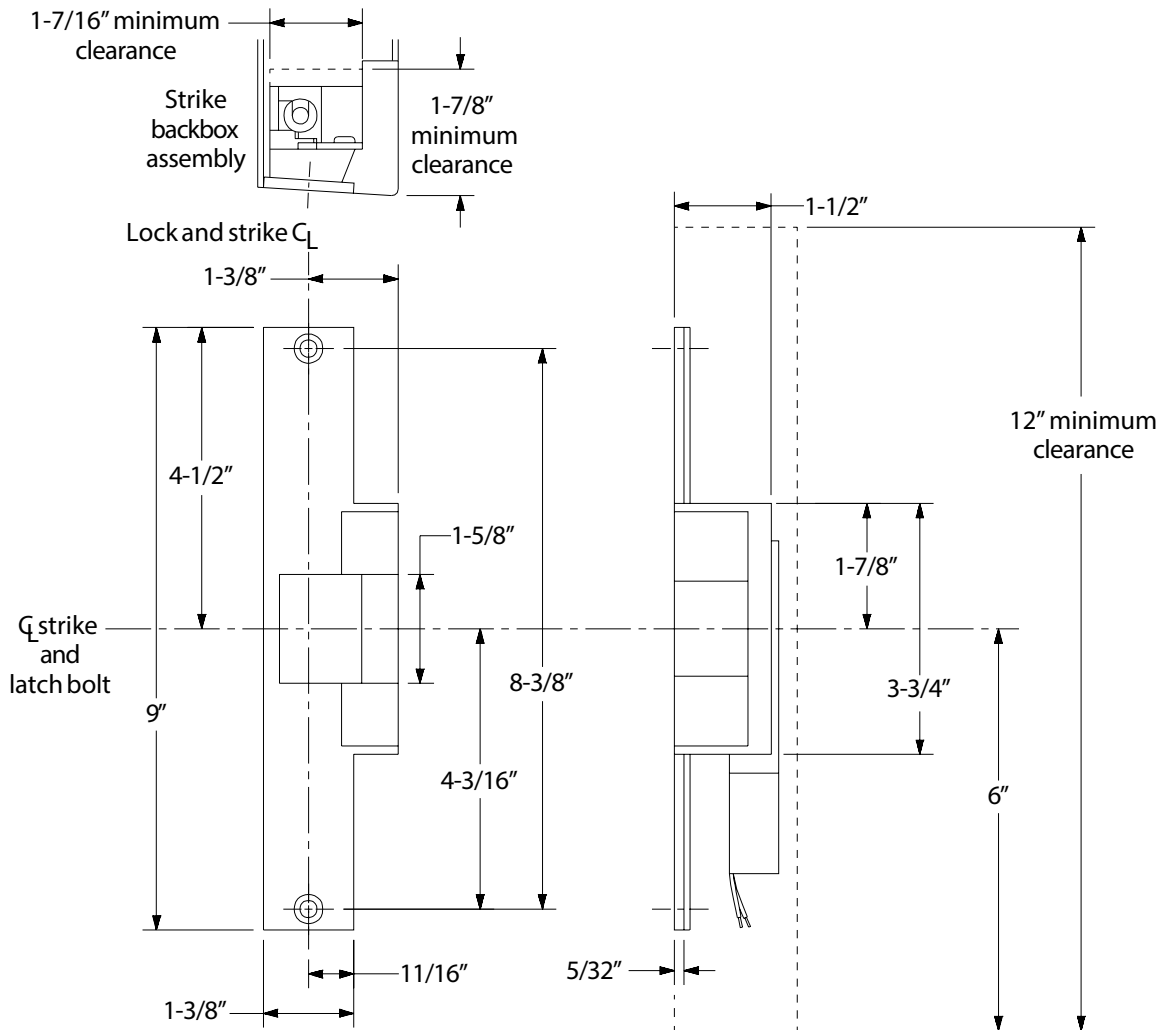


**Customer Service**

1-877-671-7011    www.allegion.com/us



Door Preparation for Strike



Strike Dimensions and Required Clearances