



931002-00

98/9950WDC

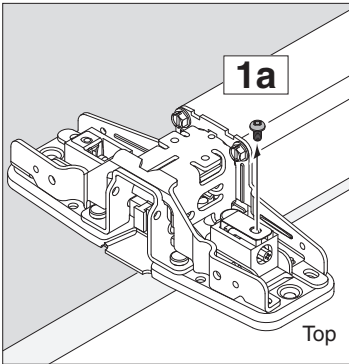
Lift Finger Retrofit

VON DUPRIN®

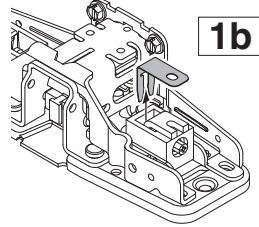
Installation Instructions

1 Remove device from door and remove lift finger, lift finger screw, and locking screw.

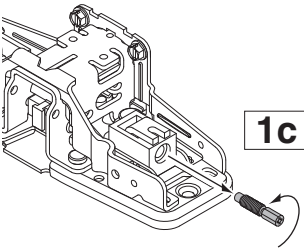
With device center case hanging over edge of table, remove locking screw.



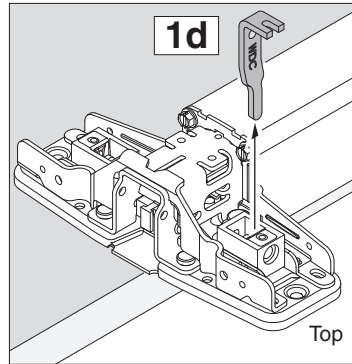
Remove retainer clip.



Remove adjustment screw.

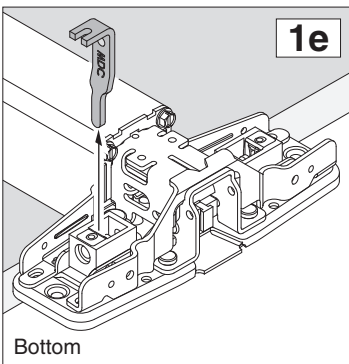


Remove lift finger.



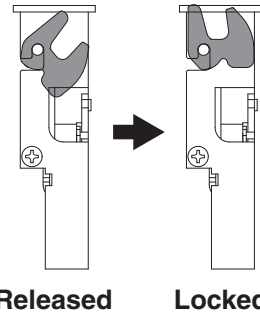
For 2-Point Latch Only

Repeat steps 1a thru 1d for lower block of center case.

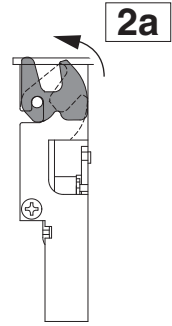


2 Adjust top spool.

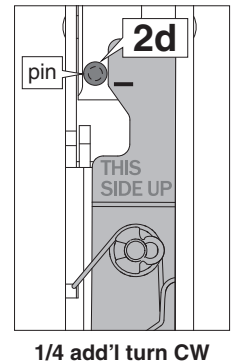
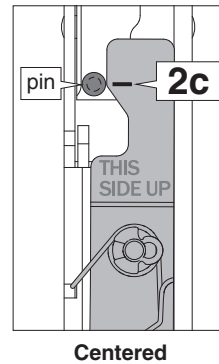
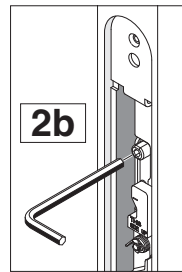
▲ NOTE: Top latch must be placed in locked position prior to making top adjustment.



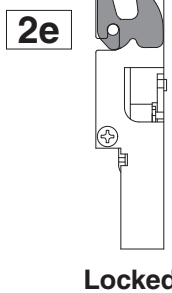
Put top latch in locked position (2a).



Turn top spool screw (2b) until pin is centered to the line (2c).



Confirm top latch is still locked.

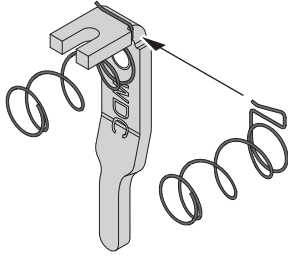


▲
If top latch is not still locked, top spool screw was overtightened in Step 2b. Back out screw counter-clockwise, then repeat Steps 2a thru 2e.

3 Install lift finger(s).

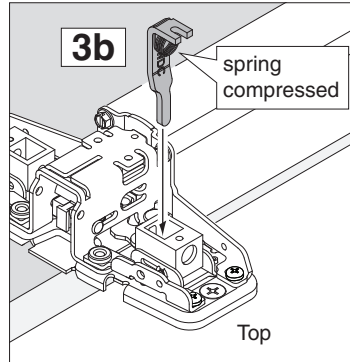
Attach spring. Spring clip wraps around L-shaped lift finger as shown.

3a

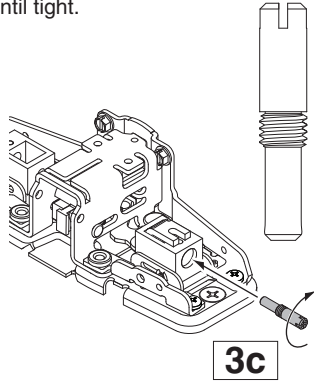


With device center case hanging over edge of table, insert lift finger with spring compressed thru upper block of center case.

3b

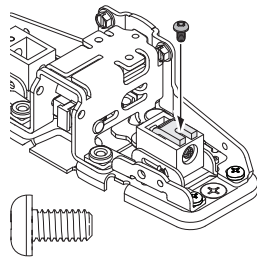


Insert lift finger screw and turn clockwise with screwdriver until tight.



Install locking screw loosely.

3d

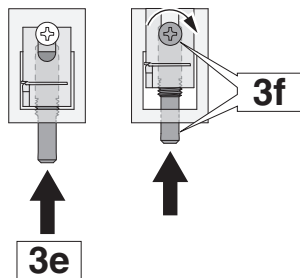


Press lift finger screw upward to preload spring (3e).

While lift finger screw is being pressed, tighten locking screw (3f).

Before

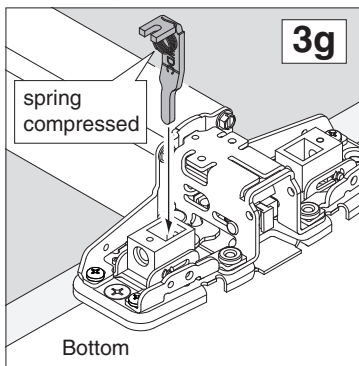
After



For 2-Point Latch Only

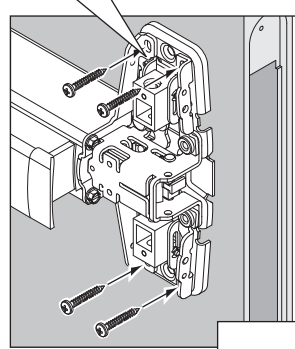
Repeat steps 3a thru 3f for lower block of center case.

3g

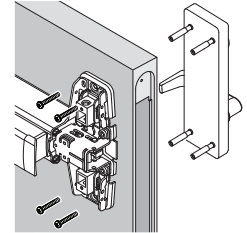


4 Attach center case to door.

⚠ Do not overtighten center case to door (door edge cover plate won't fit).



Thru-bolting Trim

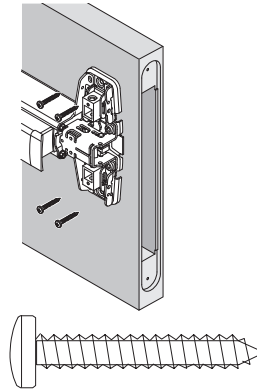


OR

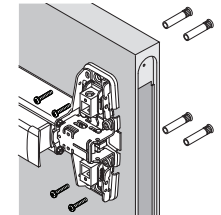
(1 3/4" door)

(2 1/4" door)

Surface Mount



Sex Bolts

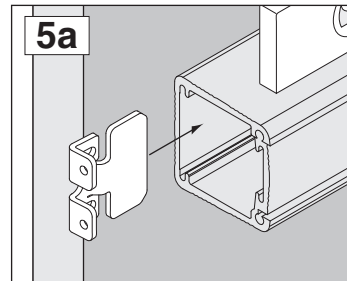


(1 3/4" door)

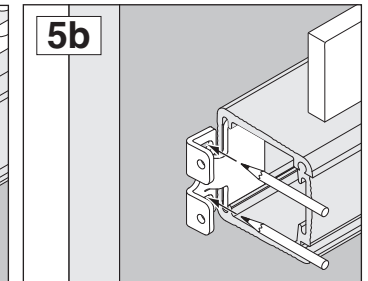
(2 1/4" door)

5 Mark and prepare 2 holes.

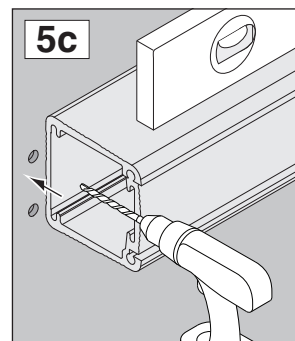
5a



5b



5c



Surface Mount

1/8" Drill, Pilot 1" Deep



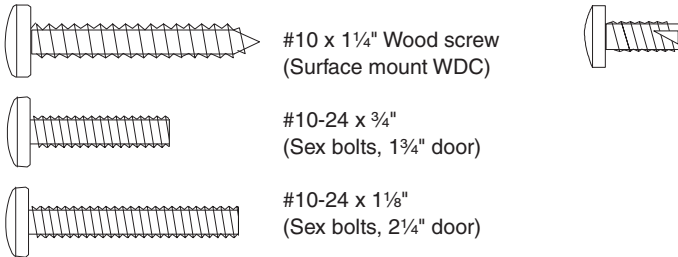
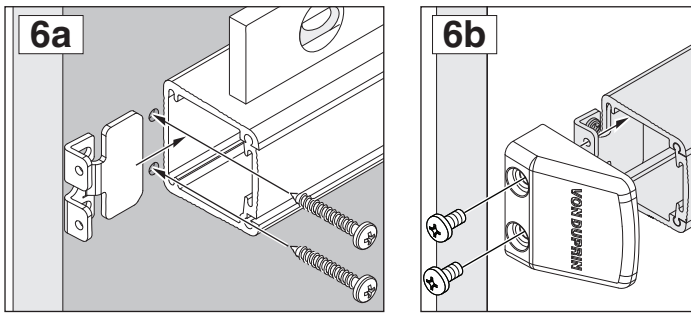
OR

Sex Bolts

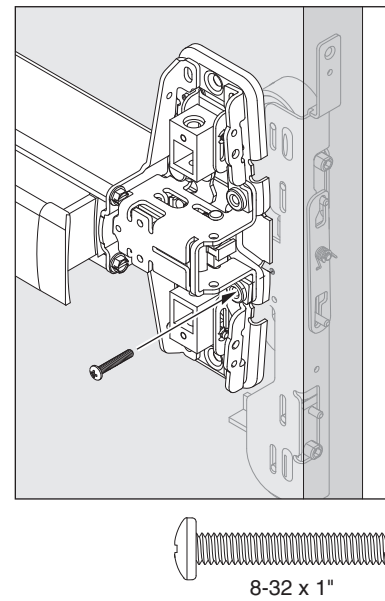
1 3/32" Drill thru



6 Install end cap bracket and end cap.



7 Secure center slide to face of door.



ADJUSTMENT COMPONENTS

Center Case

Center Slide

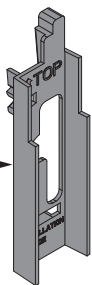
Top locking screw:
Locks lift finger screw adjustment

Top lift finger screw:

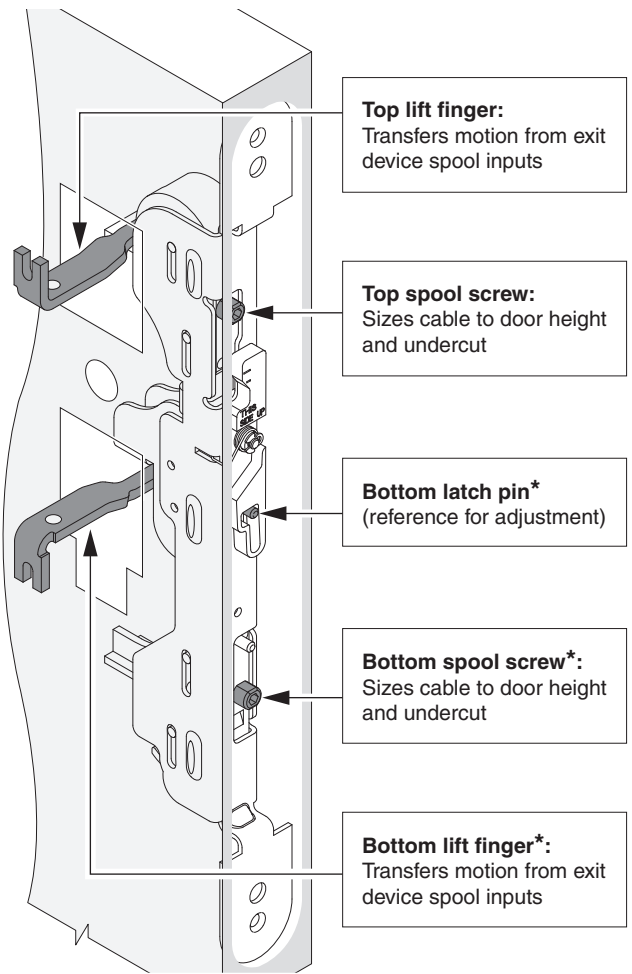
Bottom lift finger screw*:

Bottom locking screw*:
Locks lift finger screw adjustment

Spool locator:
Keeps spools in position during adjustment.



Push Side of Door

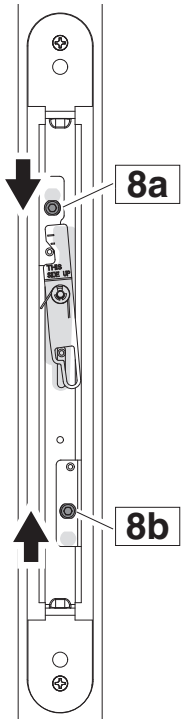


Push Side / Edge of Door

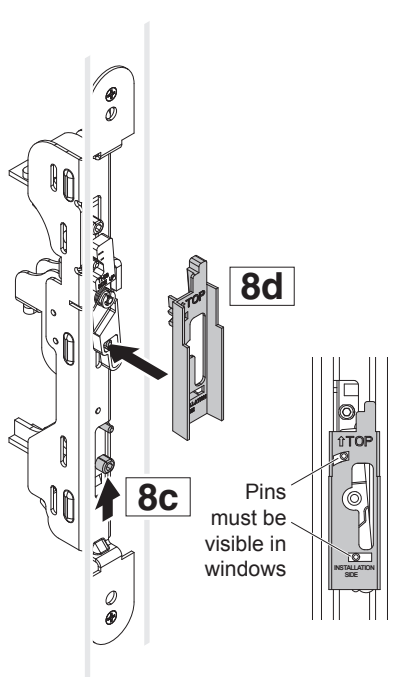
* For 2-point latch only

8 Adjust device.

Slide top spool screw downward until it clicks (8a). Slide bottom spool screw upward (8b).

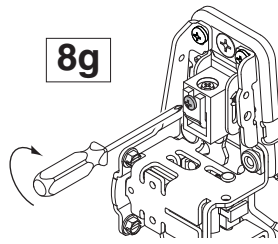


While holding bottom spool screw upward (8c), attach spool locator (8d). Once locator snaps into place, let go of spool screw. Pins must be visible in locator windows.



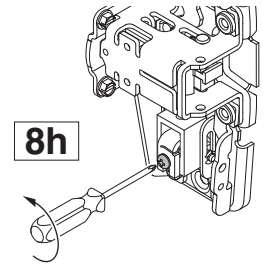
Tighten the top adjustment locking screw.

NOTE: Locking screw must be tight.

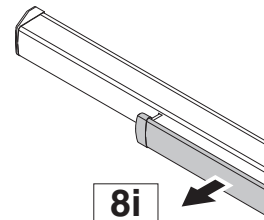


For 2-Point Latch Only

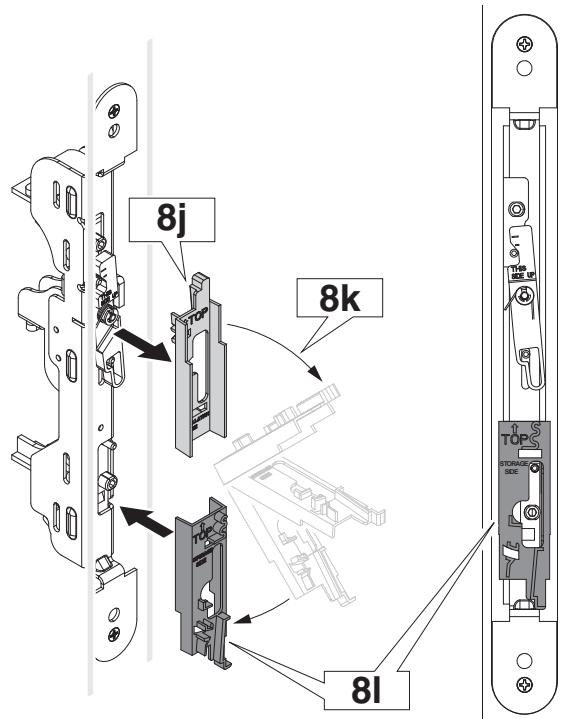
Repeat steps 8f and 8g for bottom adjustment locking screw. Lift finger will move.



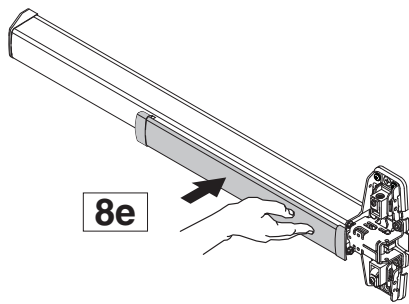
Undog device.



Remove spool locator (8j), rotate 180° (8k), and reinsert into door pocket for storage as shown below (8l).

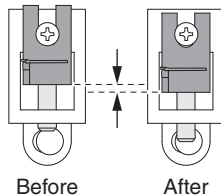
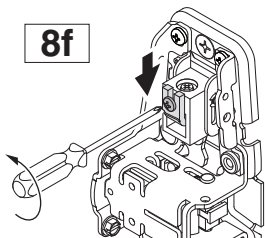


Dog device or depress and hold push pad.



Loosen the top adjustment locking screw.

Lift finger will move (movement may be small or large). Automatic adjustment occurs here.



Customer Service

1-877-671-7011 www.allegion.com/us



ALLEGION

© Allegion 2017
Printed in U.S.A.
931002-00 Rev. 10/17-a