



921280-00

# 991K/K-BE, 992L/L-BE

# VON DUPRIN®

Trim for Mortise Lock Device

Installation Instructions

1. Prepare door for exit device. See exit device instructions for holes, backset (line X-X), and center lines.
2. Prepare door for trim:
  - A. Transfer line X-X from inside (exit device) side of door to outside (trim side) of door. Use extra care if edge of door is beveled. Be sure line X-X is parallel to edge of door.
  - B. Locate and prepare all holes as shown.
3. For 992L/L-BE trim only, change handing if necessary (see other side).
4. Turn mortise lock function screw all the way in (see Figure 1). Skip this step for BE trim or E98/9975 or 98/9975-2 devices (see end of device carton for device identification).
5. Install mortise lock.
6. Install exit device and trim. Use 1 3/8" screws for 1-3/4" doors and 1-7/8" screws for 2" and 2-1/4" doors (cut down screws for 2" doors if necessary).
7. Install mortise cylinder (991K and 992L only; see other side).

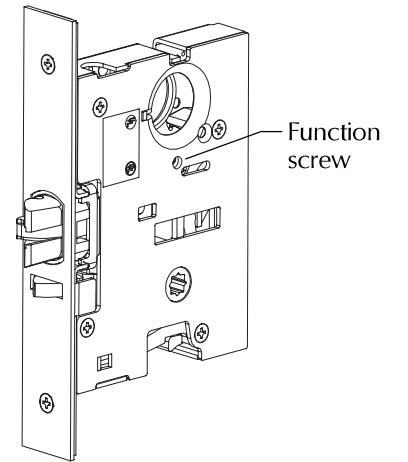


Figure 1

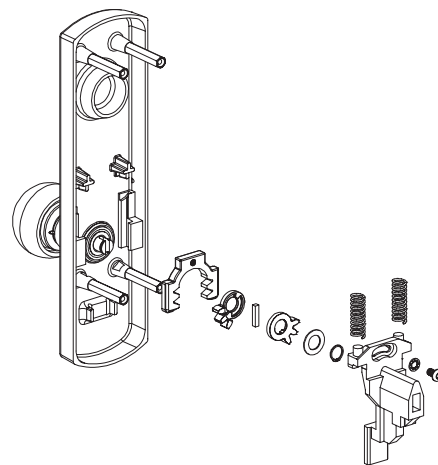
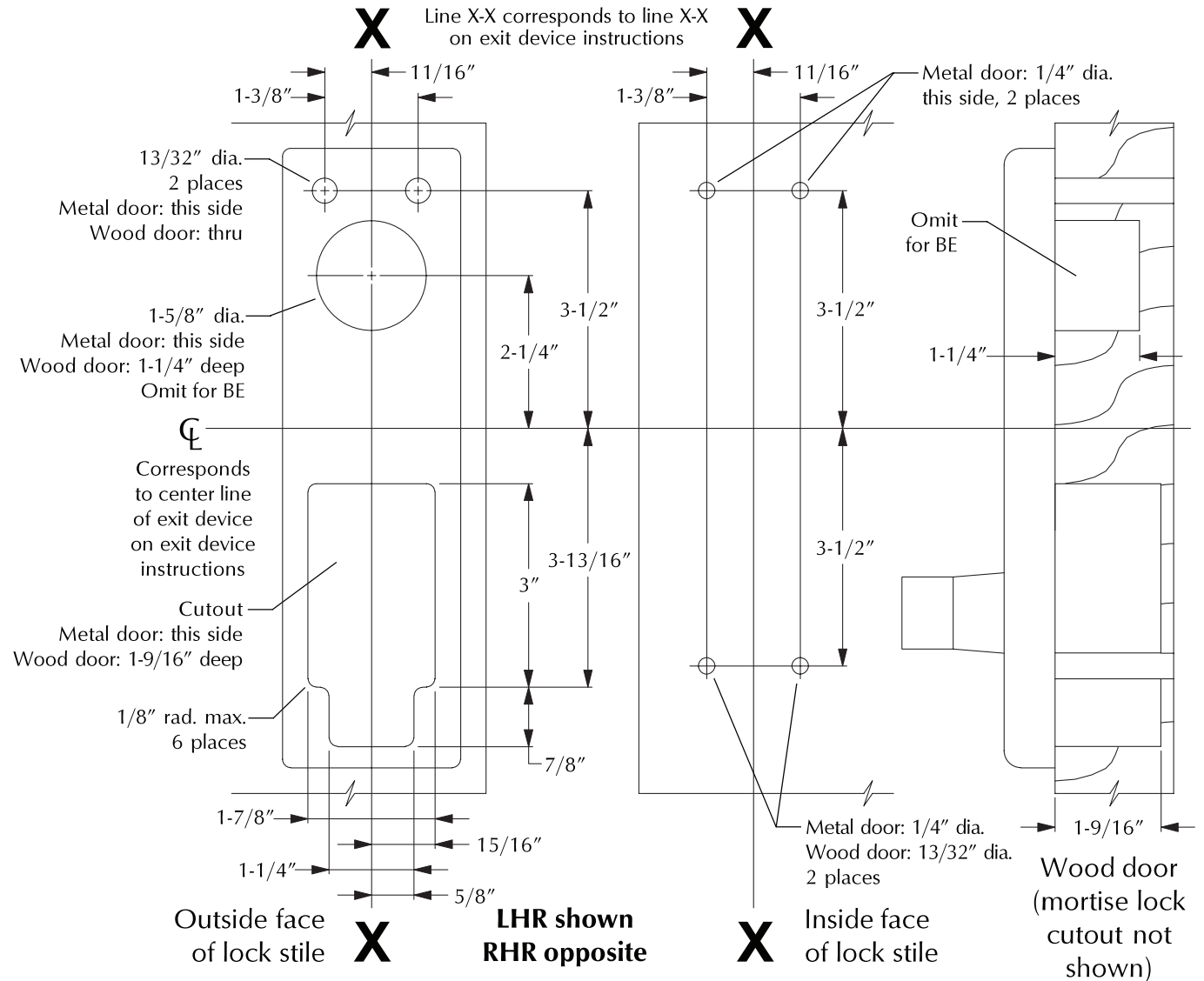


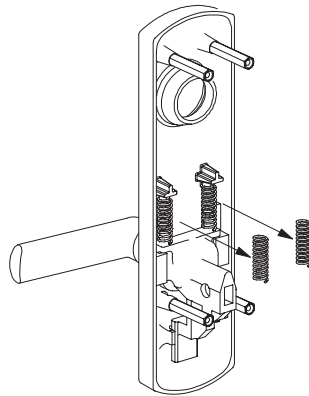
Figure 2. 991K/K-BE



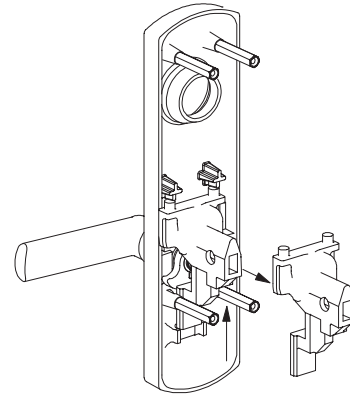
For cutouts on inside face of door, see exit device instructions

Device Application Schedule (Panic and Fire)
98/9975 Mortise Lock Device

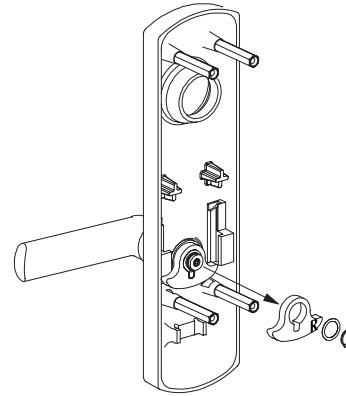
1. Remove springs.



2. Remove slider assembly by pushing up, then pulling out.



3. Remove retaining ring (use retaining ring pliers), washer, and cam.



## TO INSTALL MORTISE CYLINDER

1. Exit device, trim, and mortise lock should be installed and scalp plate removed (Figure 3).
2. Back out cylinder retaining screws (Figure 3).
3. Screw cylinder through the trim and all the way into the mortise lock.
4. Tighten cylinder retaining screw closest to trim so screw engages slot in side of cylinder.
5. Check trim for correct operation:  
Latch bolt should retract to flush position when trim is worked.

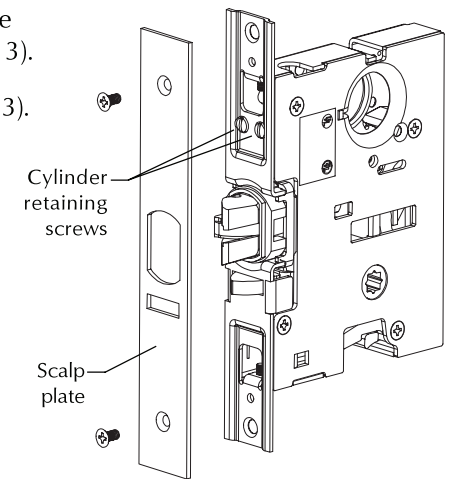
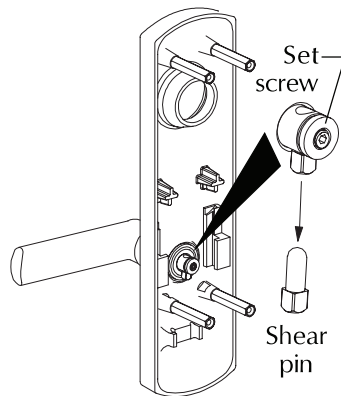


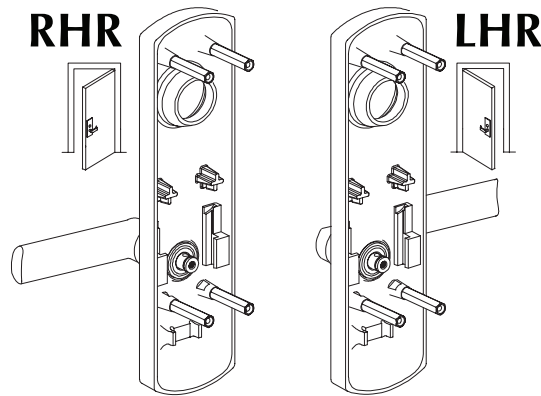
Figure 3

When key or trim is released, latch bolt should extend fully.

4. Use 3/32" hex wrench to loosen set screw. Remove shear pin.



5. Place lever in RHR or LHR position.



6. Re-install shear pin with head pointed down, then tighten set screw (see Step 4).

7. Re-install cam with "L" visible for LHR or "R" visible for RHR (see Step 3).



8. Re-install retaining ring (see Step 3).

9. Re-install slider assembly and springs (see Steps 2 and 1).

6. If latch bolt does not fully extend or fully retract, remove center case cover and:

- A. Loosen adjustment screws on top and bottom of device (Figure 4).
- B. Move adjustment finger toward latch bolt until it is fully extended (Figure 4).
- C. Move adjustment finger away from latch bolt until it stops with latch bolt fully extended.
- D. Tighten adjustment screws.
- E. Re-check extension and retraction.
- F. Re-install center case cover.

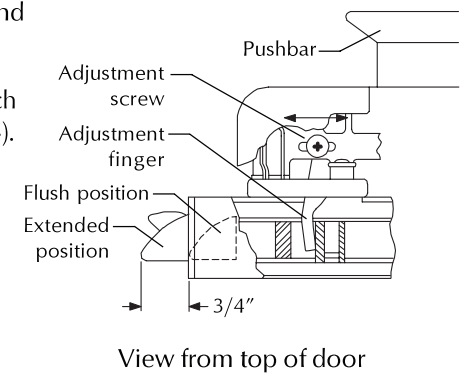


Figure 4

Customer Service

1-877-671-7011 www.allegion.com/us

