

# VON DUPRIN

## INSTALLATION DIRECTIONS

### BEFORE APPLYING THIS DEVICE

- Threshold (if any) must be installed.
- Doors must be fitted and hung.
- Check that handing of hardware corresponds with handing of door. See Fig. 3.

### 1. APPLY STRIKE

- Tape appropriate strike template No. 3 or No. 4 depending on handing of door to stop.
- When Von Duprin Mullion is used apply strike at tapped holes in Mullion. (See illustration 1.)

### 2. PREPARE DOOR

- Tape full size template No. 1 or 2, depending on handing of door, to inside face of lock stile. Be sure center line of device is 39-13/16" from finished floor.

**NOTE:** BE SURE CENTERLINE OF LOCK STILE CASE IS PARALLEL TO STOP AND THAT EDGE OF CASE IS 3/16" FROM EDGE OF STRIKE. STRIKE MUST BE SHIMMED OUT IF LOCK CASE IS MOUNTED MORE THAN 3/16" FROM STRIKE.

- Prepare door as shown. See Fig. 1 for wood door application, and Fig. 2 for metal door application.

### 3. APPLY OUTSIDE TRIM

- See directions in trim carton. Line "X-X" on trim template corresponds to line "X-X" on device template and is parallel to edge of door. Transfer line "X-X" from inside face to outside face of door.
- Prepare outside face of lock stile.
- If necessary, cut off knob spindle to extend 1/4" to 1/2" and cylinder tailpiece to extend 5/8" to 3/4" thru door and into device case.
- Apply outside trim.

### 4. INSTALL LEVER ARMS

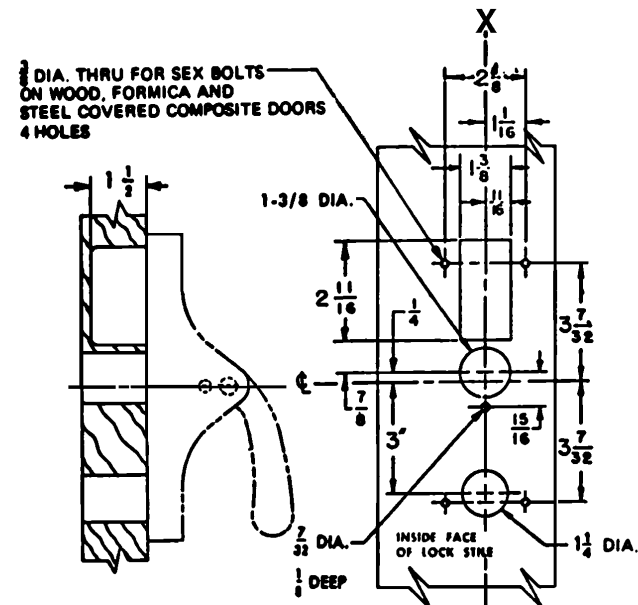
- Insert lever arms into lock stile and hinge stile cases.
- Assemble axes and tighten security. (See instructions in axle envelope.)

### 5. APPLY LOCK STILE CASE

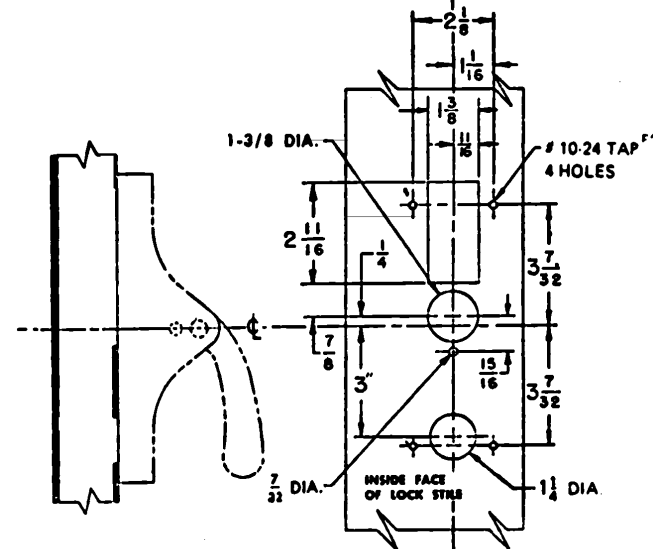
- Remove key from cylinder.
- Position cylinder cam as shown in Fig. 3.
- Attach lock stile case to door. (See Fig. 1 or Fig. 2)
- Test key and knob action.

### 6. APPLY HINGE STILE CASE AND CROSSBAR TUBE (FIG. 4)

- Slip crossbar tube on lock stile and hinge stile lever arms. (See form No. 52 for cutting crossbar, if necessary.)
- Be sure crossbar is level and hinge stile case is parallel to edge of door and approximately on centerline of exposed stile.
- Use holes in hinge stile case, mark location and prepare door for attaching screw.
- Apply hinge stile case with crossbar in place.
- Tighten wedge-tite set screws securely with dog key and screwdriver or equivalent for leverage, and test crossbar for free action. (See form No. 52 for these instructions.)



WOOD DOOR APPLICATION  
FIG. 1



METAL DOOR APPLICATION X  
FIG. 2

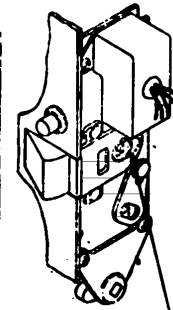
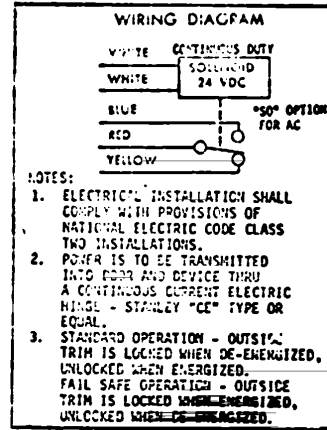


FIG. 3  
Tip of cylinder cam to be in this position. Be sure key is removed from cylinder. RHR SHOWN LHR OPPOSITE

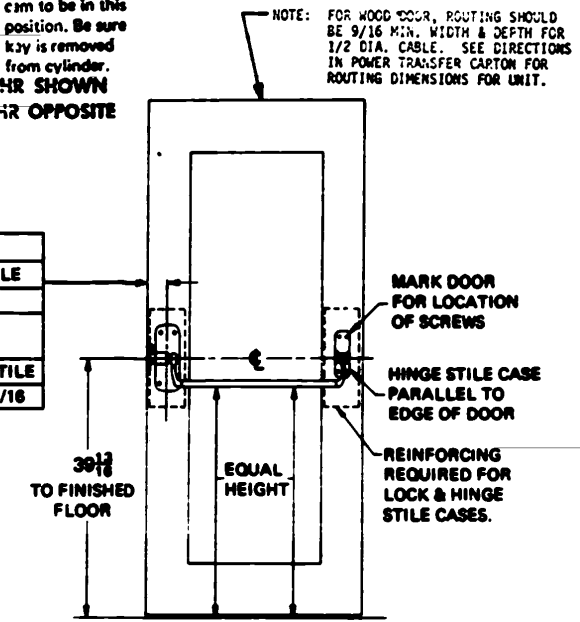


FIG. 4

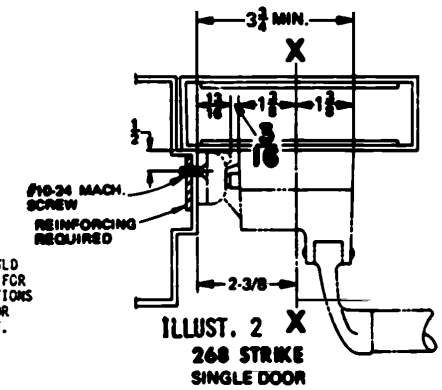
SINGLE DOOR INSTALLATION		
STRIKE	BACKSET	MIN. STILE
268	SEE ILLUSTR. 2	4-3/8"

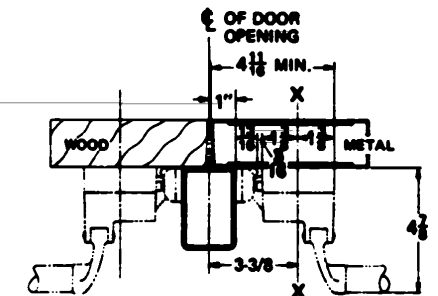
DOUBLE DOOR INSTALLATION WITH VON DUPRIN MULLIONS		
MULLION & STRIKE	BACKSET	MIN. STILE
8854 x 268	SEE ILLUSTR. 1	4-11/16"

SINGLE DOOR OPENING 39-13/16" TO FINISHED FLOOR	
DOUBLE DOOR OPENING WITH VON DUPRIN MULLION AND THRESHOLD	
THRESHOLD NO.	TO FIN. FLOOR
350 or 360	39-13/16"
355 or 365	
390	
ALL OTHER THRESHOLDS	
NO THRESHOLD (FLAT SILL)	

FOR TRIM APPLICATION SEE DIRECTIONS IN TRIM CARTON



ILLUSTR. 2  
268 STRIKE SINGLE DOOR



ILLUSTR. 1  
8854 MULLION WITH 268 STRIKE

DESCRIPTION E-88K-NL-F & E-88K-NL-F(F.S.) SERIES  
ELECTRIC LOCKING RIM DEVICE

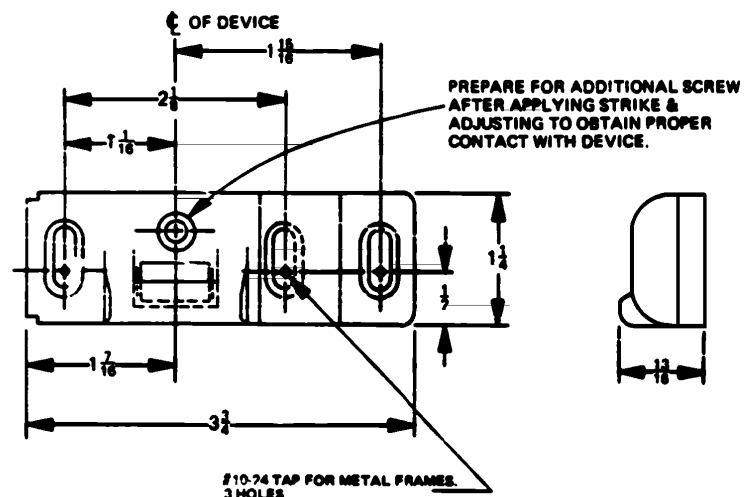
VON DUPRIN

DIRECTION NUMBER 911188-00 DATE 6/25/15

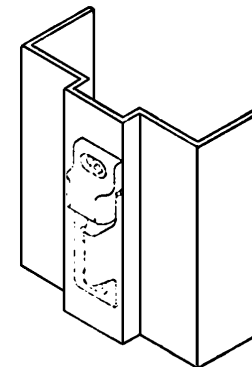
Customer Service  
1-877-671-7011 www.allegion.com/us



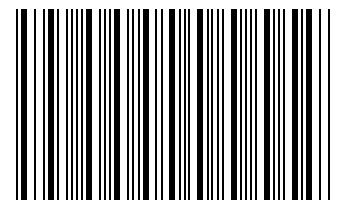
© Allegion 2015 | Printed in U.S.A. | 911188-00 Rev. 06/15-b



268 STRIKE



LHR SHOWN  
RHR OPPOSITE



911188-00