



941039-00

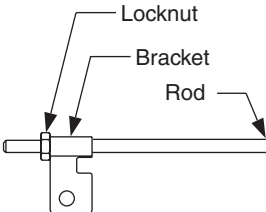
LX/LX-LC

VON DUPRIN®

Switch Retrofit Kit

Installation Instructions


This kit includes the following parts:




Rod & Bracket Assembly

LX { This switch is intended for signaling purposes only and is rated for a maximum 2 ampere resistive load at 24VDC/AC. Use with inductive or capacitive loads (magnetic locks or solenoid devices) derates the capacity of the switch. Consult the factory for assistance.

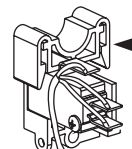
LX/LC { This switch is intended for systems using low current signals. The switch is rated for a maximum of 50mA. Consult the factory for assistance.




8-18 X 3/8" FPHSMS




LX Actuator




Switch Assembly



Nylon Fastener

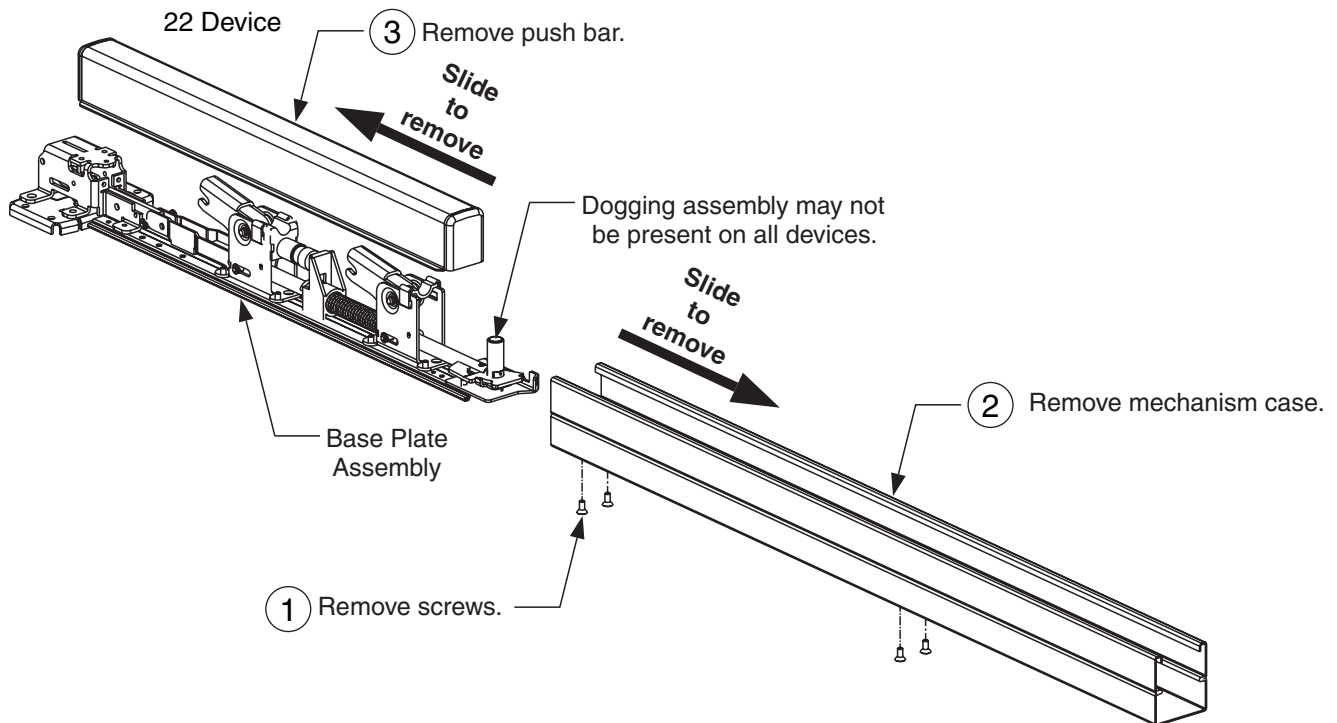


Cable Tie 1.5"



Snap Ring

Step 1 Disassemble the device. (Remove from door if mounted.)

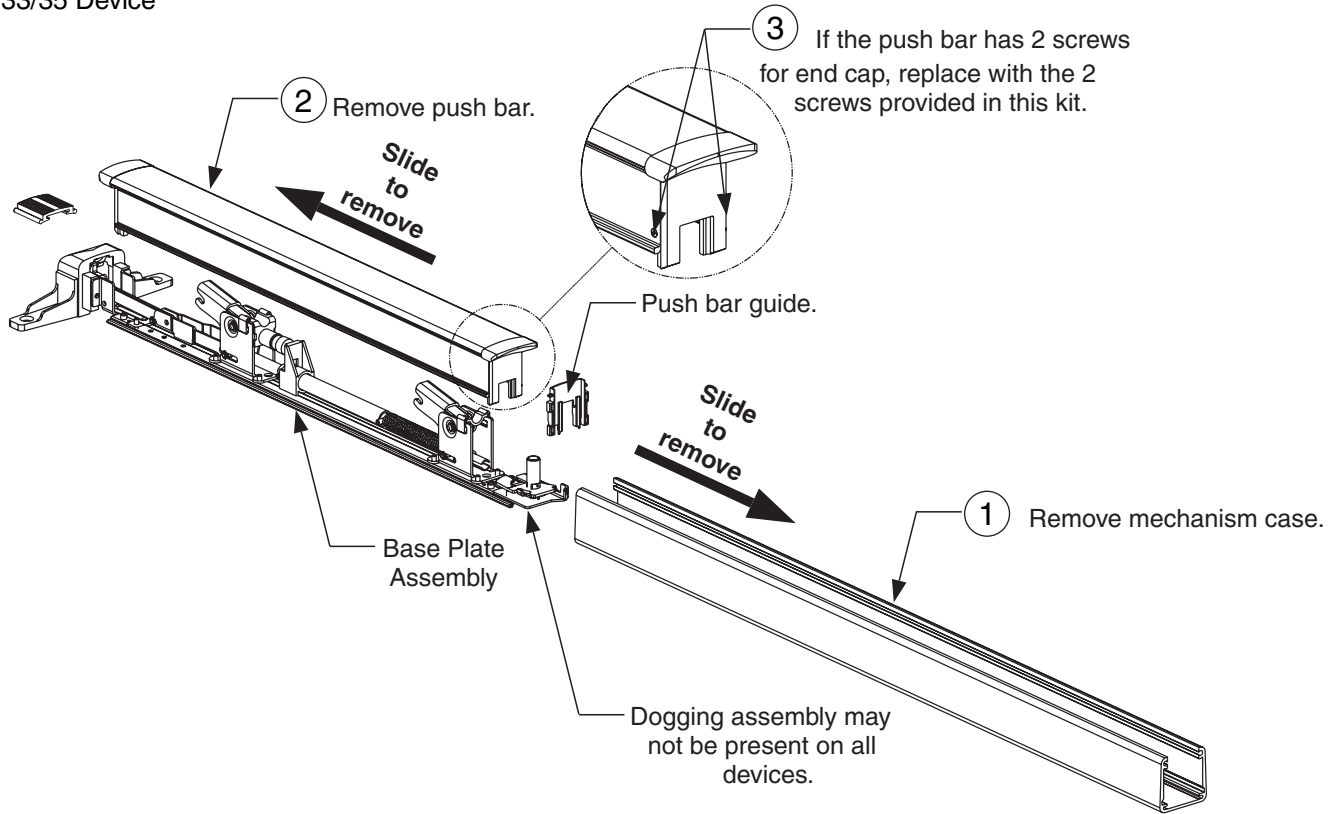


Customer Service

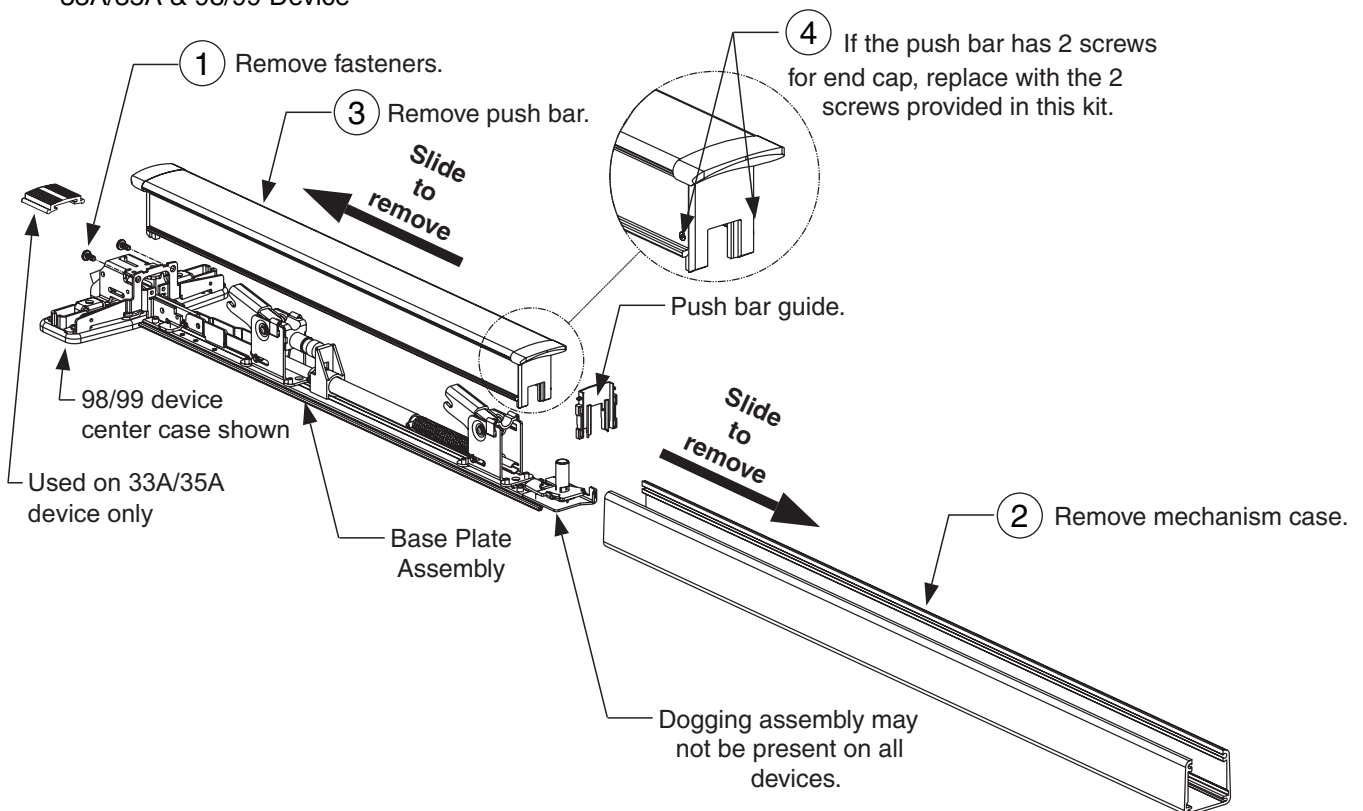
1-877-671-7011 www.allegion.com/us

Step 1 continued Disassemble the device. (Remove from door if mounted.)

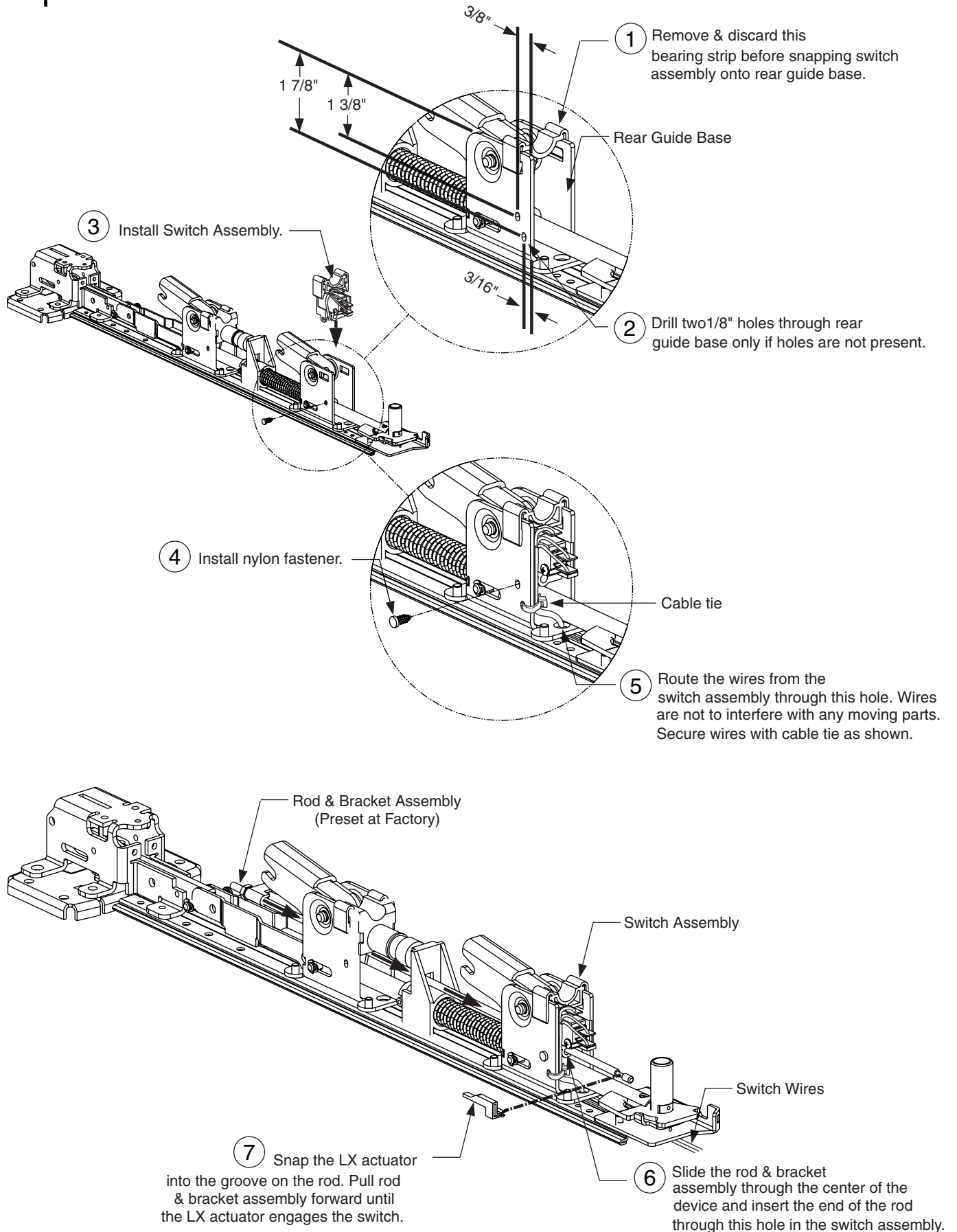
33/35 Device



33A/35A & 98/99 Device

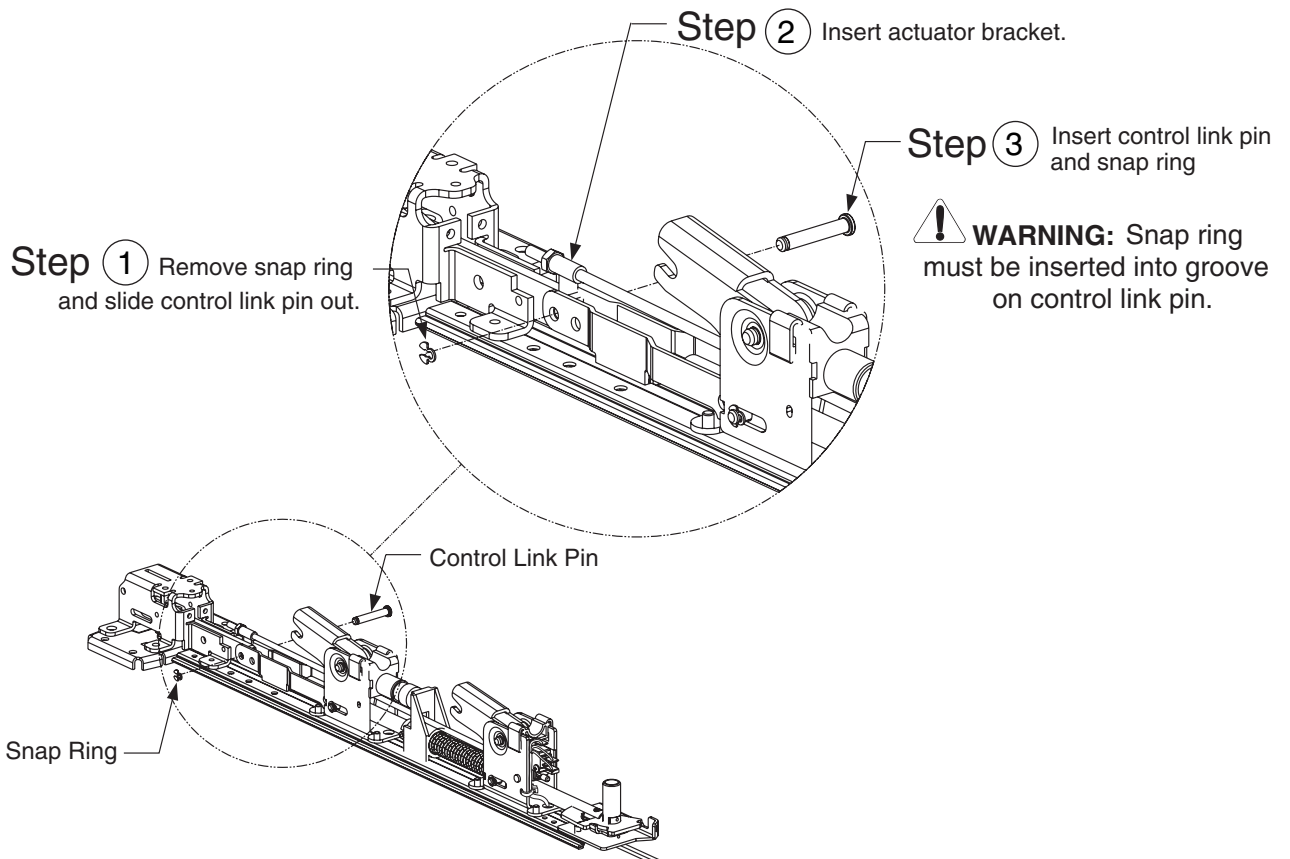
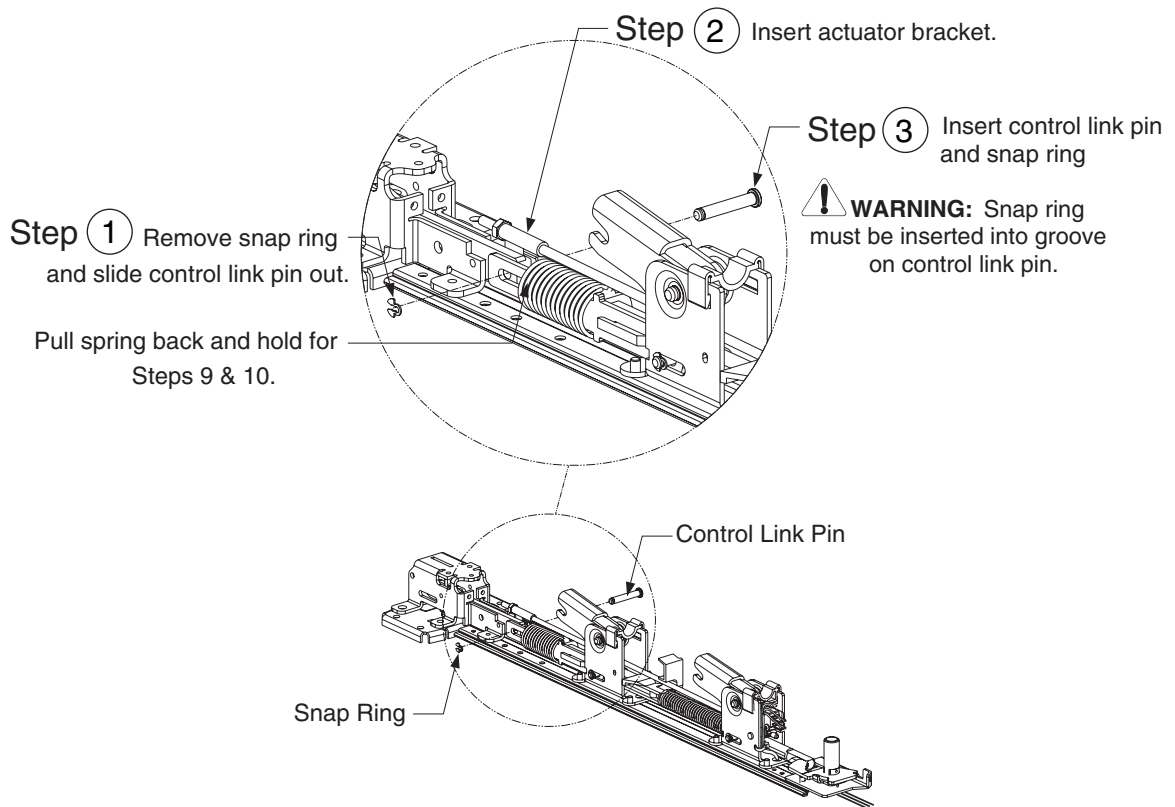


Step 2 Install Switch



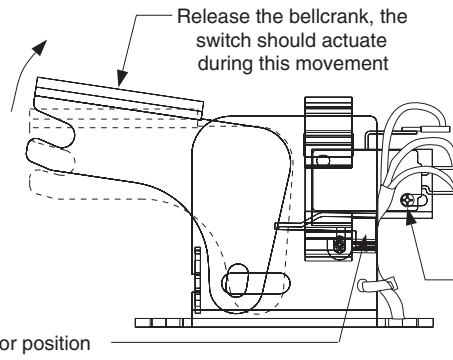
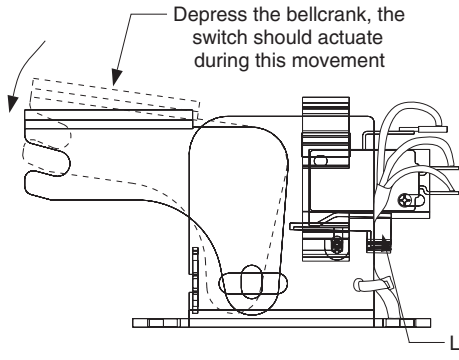
Step 3 Attach rod

Top illustration is for a 22 Device with a composite action rod only. All others see bottom illustration.

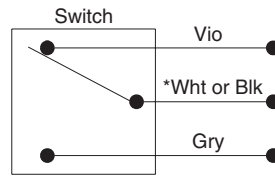
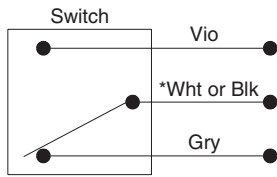


Step 4

Check the switch for proper actuation



If adjustment is needed, loosen screw in the side of the switch assembly and slide switch forward or backward as necessary.



*White = 2A
Black = 50mA

Step 5

Prepare door for device wiring.

