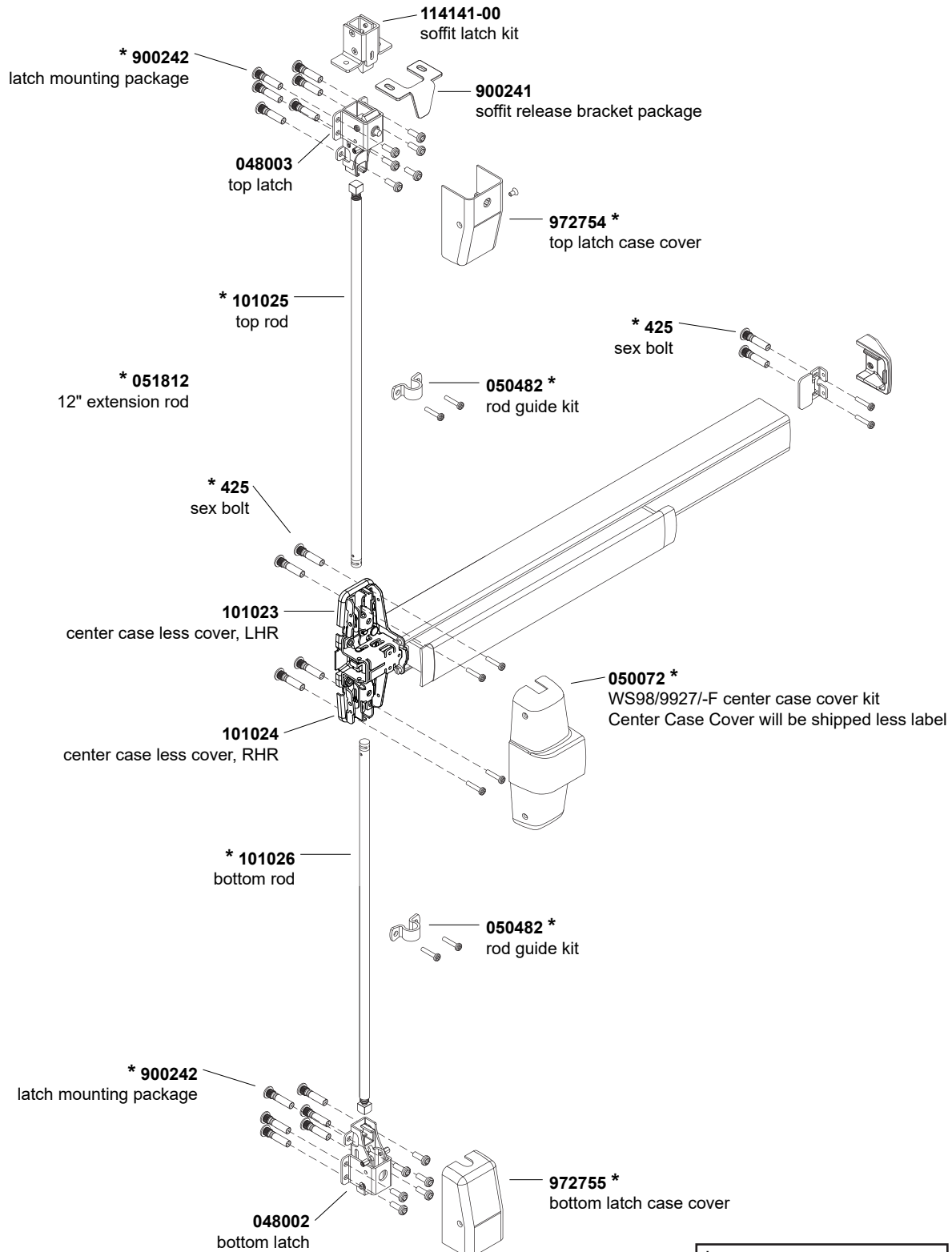


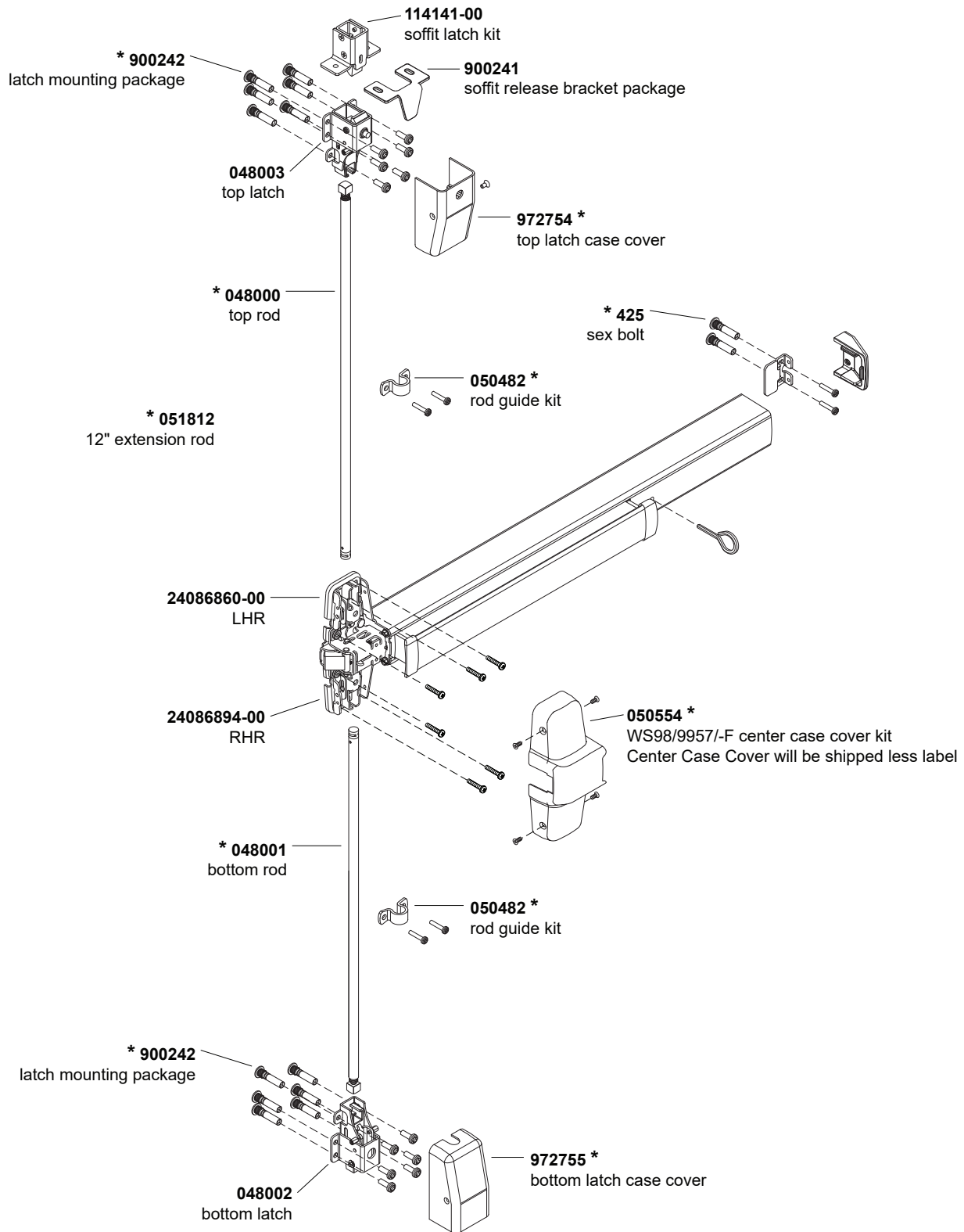
Windstorm Exit Device Parts

WS9827 / WS9927 / WS9827-F / WS9927-F



* When ordering, specify finish.

WS9857 / WS9957 / WS9857-F / WS9957-F



* When ordering, specify finish.



Customer Service
1-877-671-7011 www.allegion.com/us