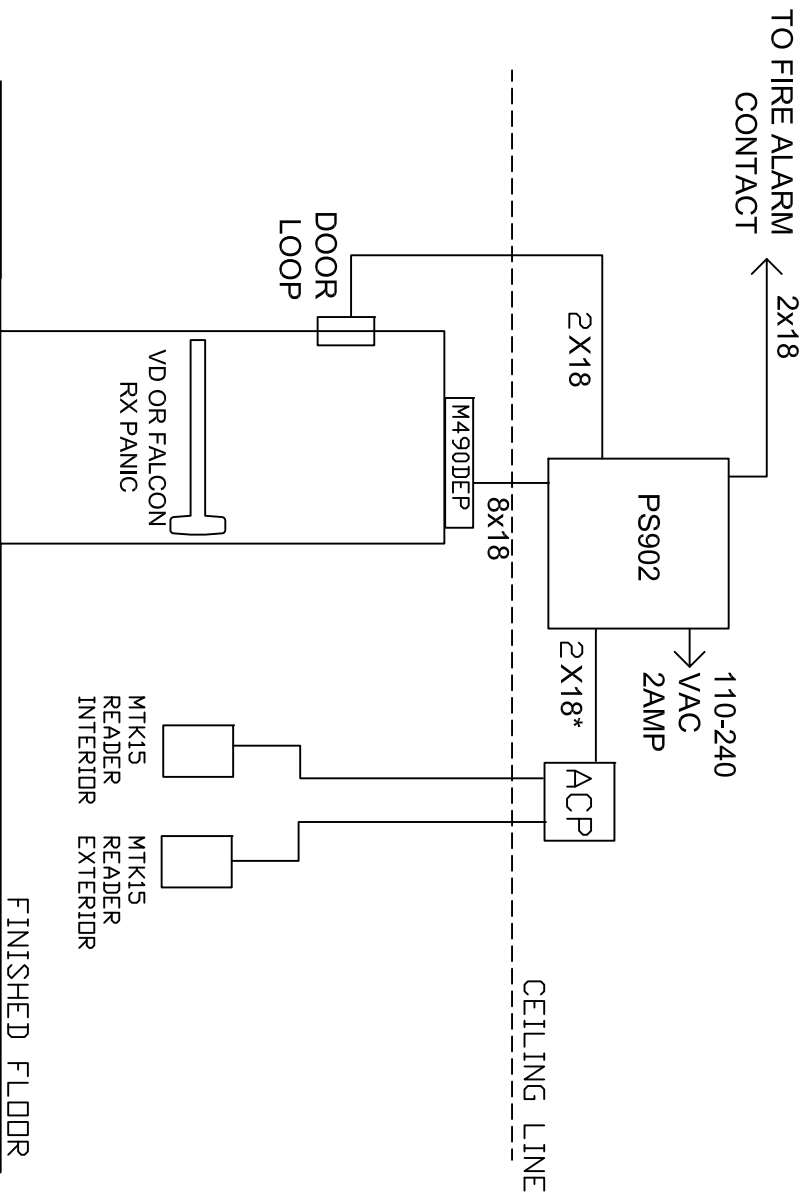


THIS DIAGRAM REPRESENTS A GENERIC CONFIGURATION. CUSTOM WIRING DIAGRAMS CAN BE ACQUIRED BY CONTACTING TECHNICAL SUPPORT.



NOTE:
*ADDITIONAL WIRING IS REQUIRED. SEE MANUFACTURER INSTALLATION INSTRUCTION

- NOTES:
- 1) ALL LOW VOLTAGE WIRING TO BE STANDARD MULTI-CONDUCTOR COLOR CODED WITHOUT SPLICES.
 - 2) WIRING TO CONFORM TO APPLICABLE NATIONAL, STATE AND LOCAL ELECTRICAL CODES.
 - 3) REFER TO SPECIFIC PRODUCT INSTALLATION INSTRUCTIONS FOR SPECIFIC WIRING REQUIREMENTS.
 - 4) THIS DRAWING IS FOR GRAPHICAL REPRESENTATION OF PRODUCTS DETAILED IN THE HARDWARE SET ONLY. THAT IS NOT SHOWN HERE. CONSULT PROVIDER FOR DETAILS.
 - 5) ADDITIONAL WIRING WILL BE REQUIRED FROM ACP

HARDWARE USED:	
1 VDR OR FALCON RX PANIC DEVICE	
1 DOOR LOOP	
1 M490DEP MAG LOCK	
1 PS902 POWER SUPPLY	
2 APTIO MTK15 CARD READERS WITH ACP	
FIRE ALARM CONTACT BY OTHERS	
TYPE	DELAYED EGRESS SINGLE

OPERATION:	
M490DEP MAG LOCK TO PROVIDE DELAYED EGRESS. PUSHING ON PANIC INITIATES 15 SECOND RELEASE COUNTDOWN.	
FIRE ALARM TO RELEASE DOORS IMMEDIATELY.	
INTERIOR OR EXTERIOR APTIO MTK15 TO RELEASE DOORS FOR AUTHORIZED PASSAGE AND WILL RESET M490DEP FROM ALARM.	
IN THIS EXAMPLE ALL WIRING CONNECTIONS ARE MADE IN PS902 ENCLOSURE.	
DATE DRAWN	09-12-14
REVISION DATE	09-12-14
copyright 2013	

ALLEGION™

TITLE: M490DEP WITH RX PANIC, ACCESS CONTROL AND PS902 OCTOBER INTEGRATOR TRAINING

DRAWING TYPE: RISER DIAGRAM

DWG NO.: 091214-1

DRAWN/CHECKED BY: B DOVE

REV: A