



47280190

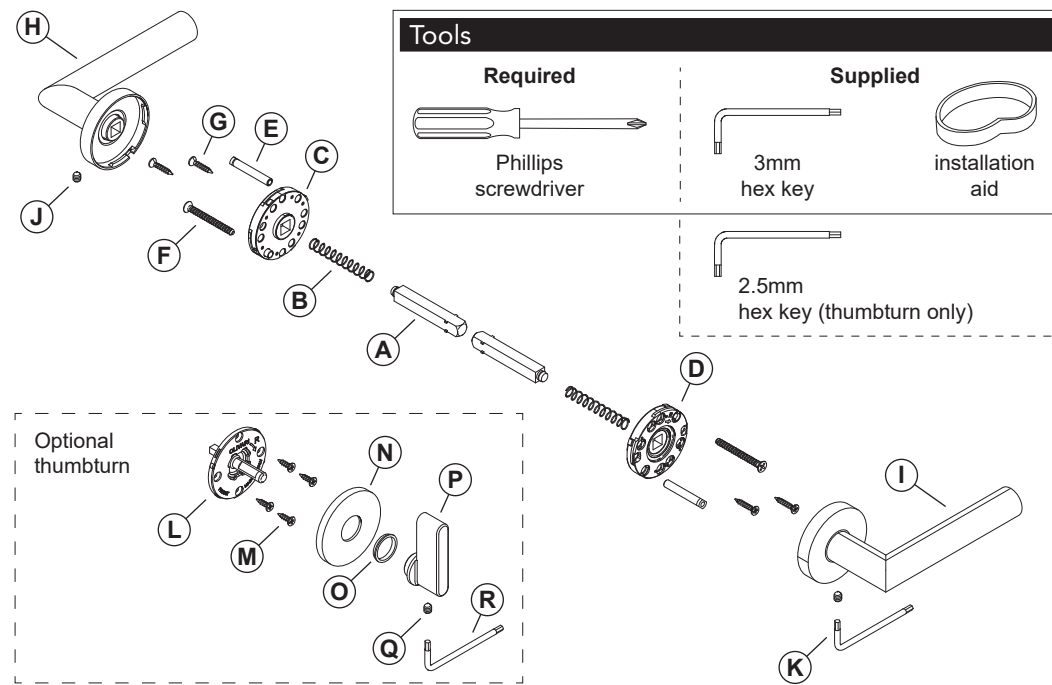
PT-Series Mortise Trim

OLIVARI

PT9000 Series, Rose

Installation Instructions

Parts



Parts

- | | | | |
|--------------------------|----------------------------|----------------------------|-----------------|
| A Spindles (2) | G Surface mount screws (4) | L Spindle | P Thumbturn |
| B Springs (2) | H Left hand lever/rose | M Surface mount screws (4) | Q Set screw |
| C Left hand spring cage | I Right hand lever/rose | N Rose | R 2.5mm hex key |
| D Right hand spring cage | J Set screws (2) | O Nylon bushing | |
| E Mounting posts (2) | K 3mm hex key | | |
| F Mounting screws (2) | | | |

Optional Thumbturn Parts

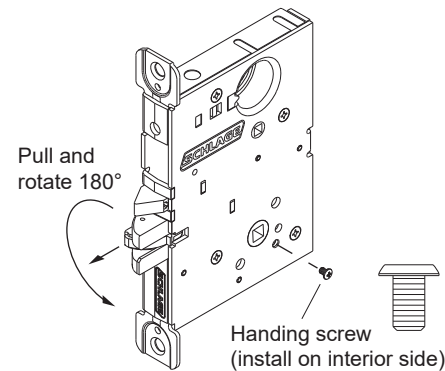
- | | |
|----------------------------|-----------------|
| L Spindle | P Thumbturn |
| M Surface mount screws (4) | Q Set screw |
| N Rose | R 2.5mm hex key |
| O Nylon bushing | |

Door Handing

IMPORTANT! Check lock handing before installation.

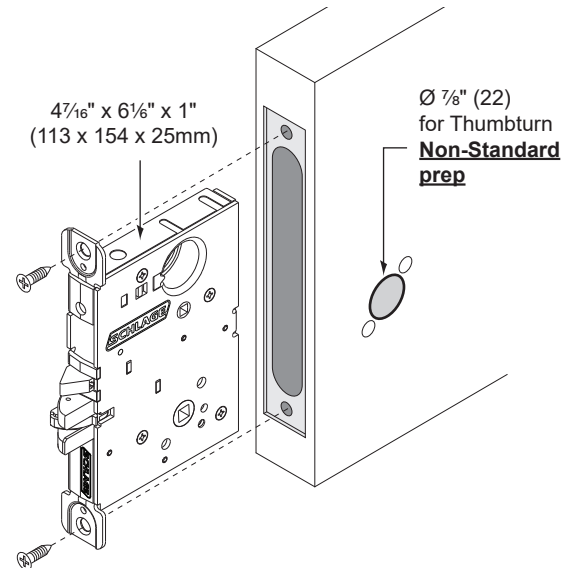
If necessary to change handing:

1. Pull out the latch and rotate 180°.
2. Handing screw must be installed on the interior side of the chassis. If necessary, move the screw to the opposite side.

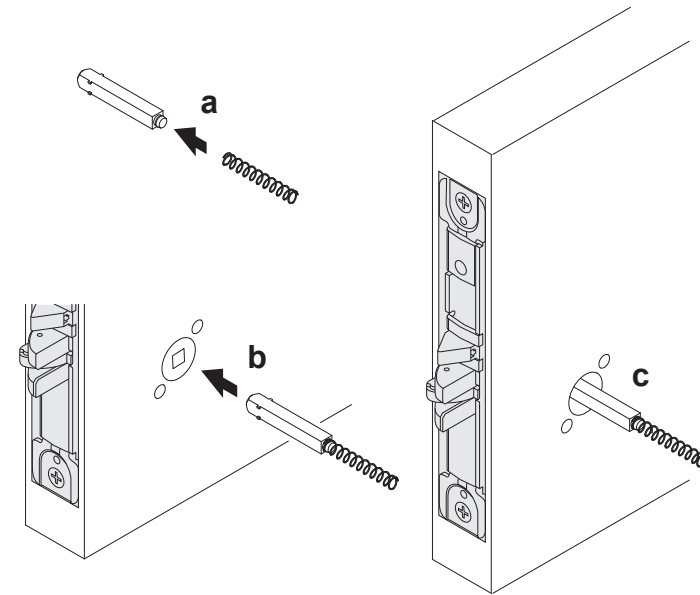


1 Install lock chassis and lightly tighten screws.

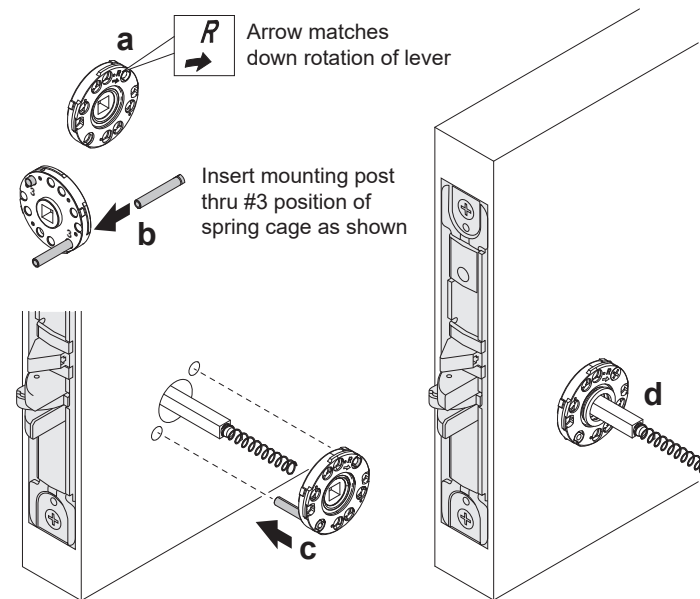
ⓘ Do not fully tighten chassis mounting screws at this time.



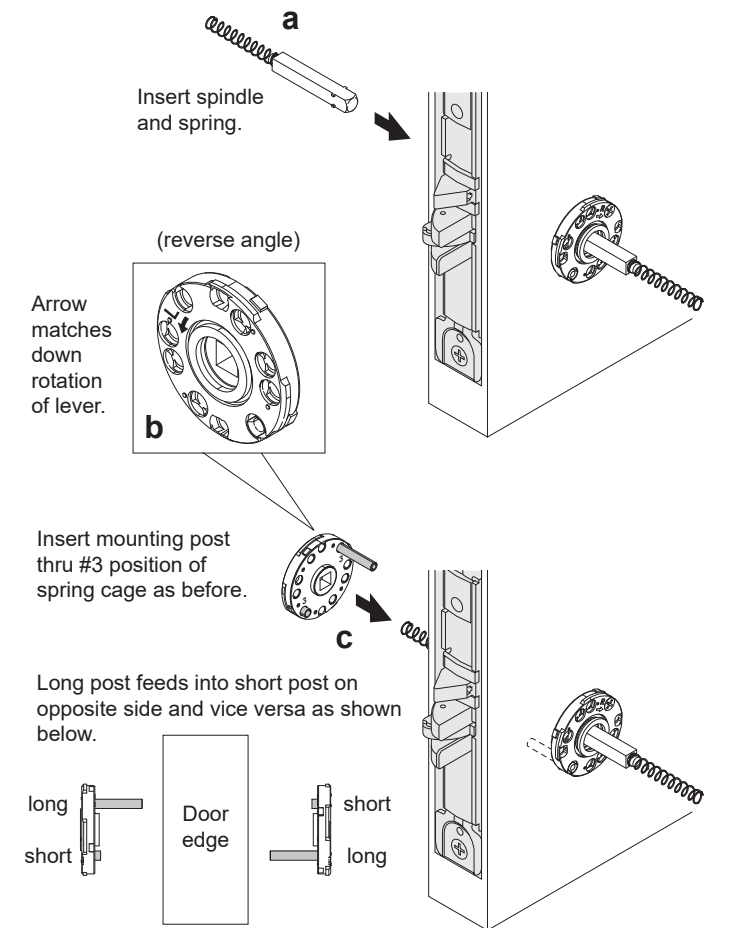
2 Install spindle with spring, side 1.



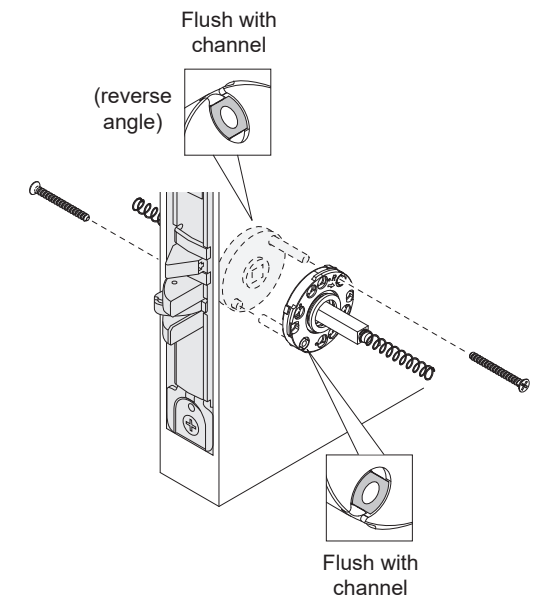
3 Install spring cage, side 1.



4 Install spindle/spring/spring cage, side 2.



5 Hand thread screws into mounting posts on opposite side, then fully tighten.



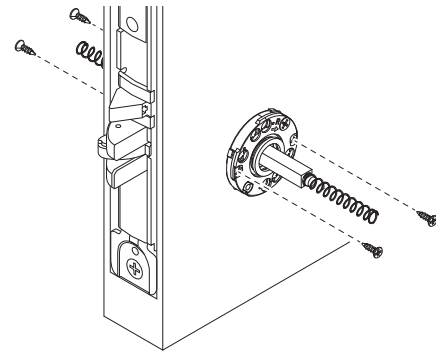
6 Check lever operation.

Confirm smooth operation with no sticking.

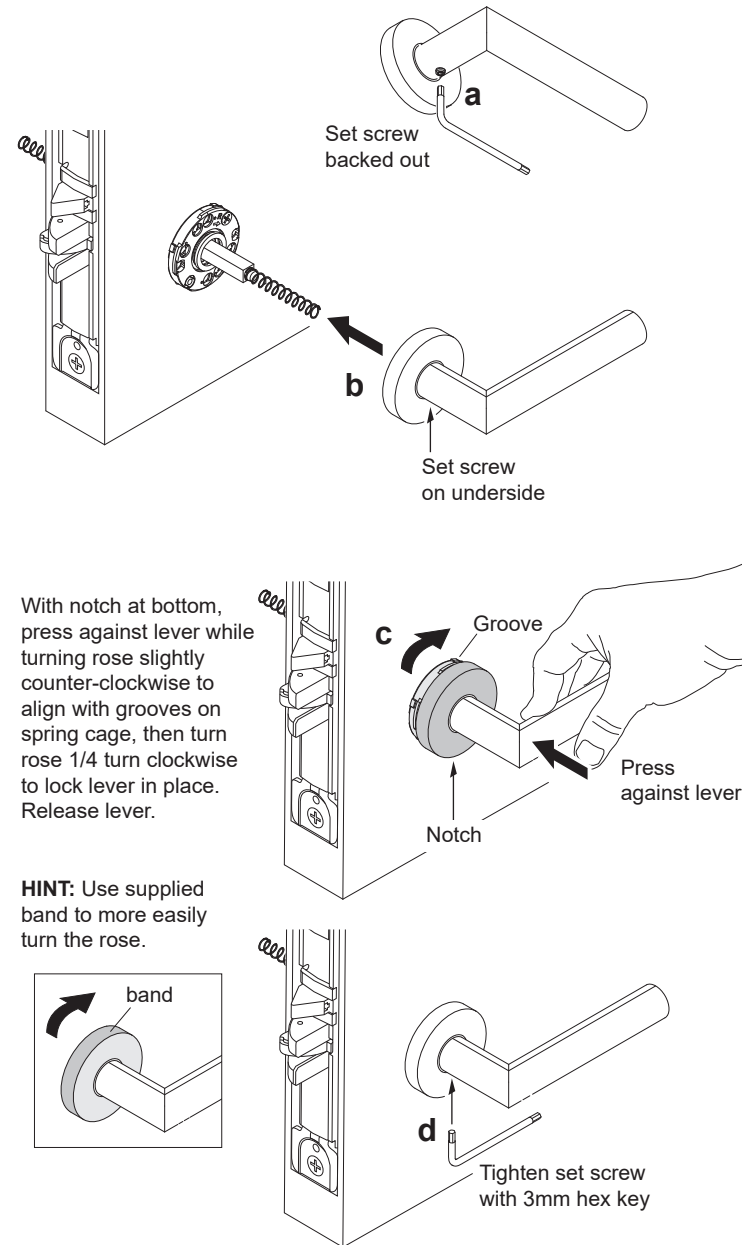
If not operating smoothly, perform these steps:

- Slightly loosen spring cage mounting screws.
- Confirm function by cycling lever.
- Temporarily slide lever onto spindle. Confirm lever is horizontal with no lever droop.
- Retighten spring cage mounting screws.

7 Install surface mount screws.



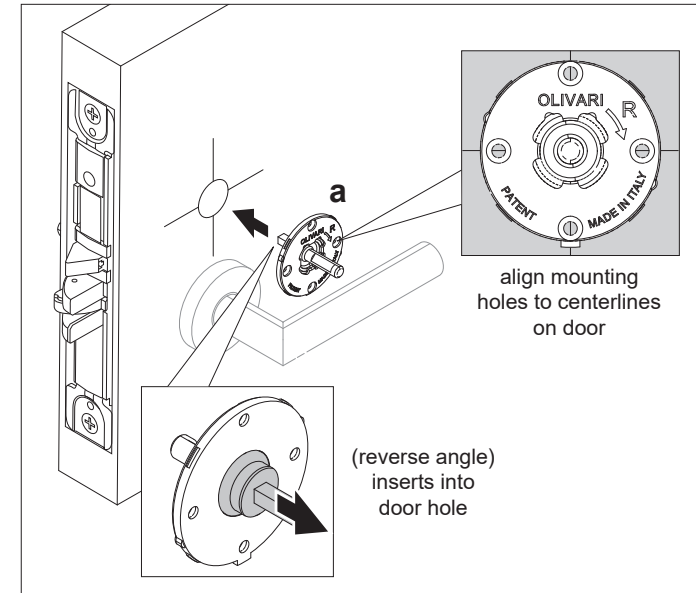
8 Install lever/rose.



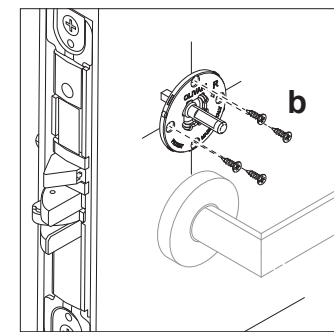
9 Repeat previous step to install rose/lever on opposite side of door.

10 Install thumbturn, if applicable.

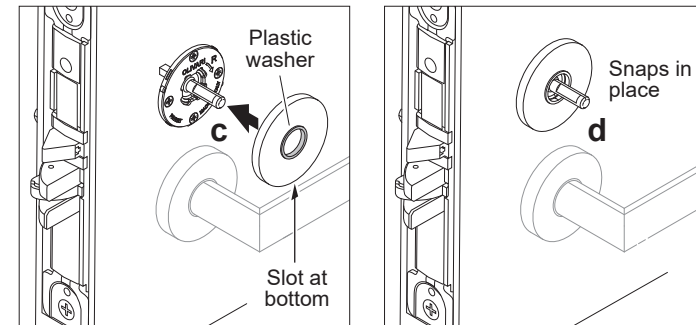
a. Install spring cage.



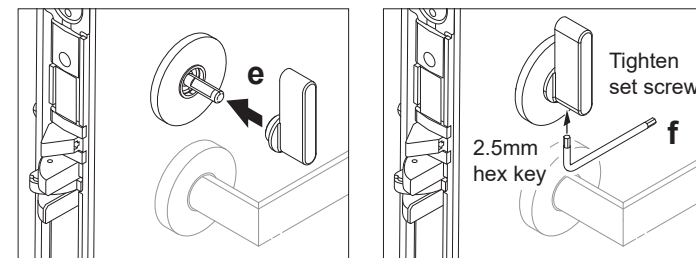
b. Secure spring cage with surface mount screws.



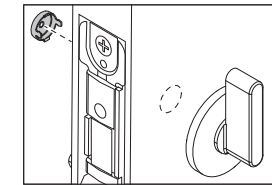
- Install rose as shown.
- Snap it into place.



- Install thumbturn.
- Tighten set screw.

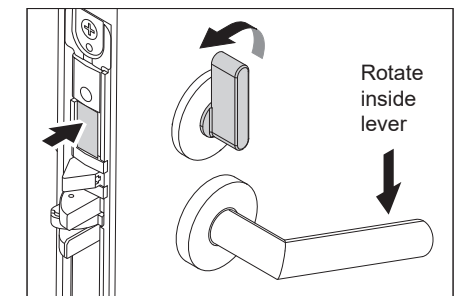


11 For thumbturn, install emergency privacy button.



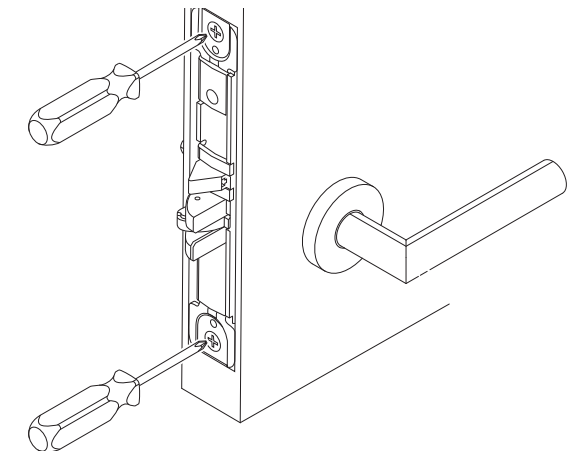
12 Check thumbturn operation.

Confirm smooth operation. With door locked, cycling inside lever should rotate thumbturn to vertical unlocked position and retract deadbolt.



13 Tighten screws.

Fully tighten mortise lock chassis mounting screws.



14 Install armor front.

