

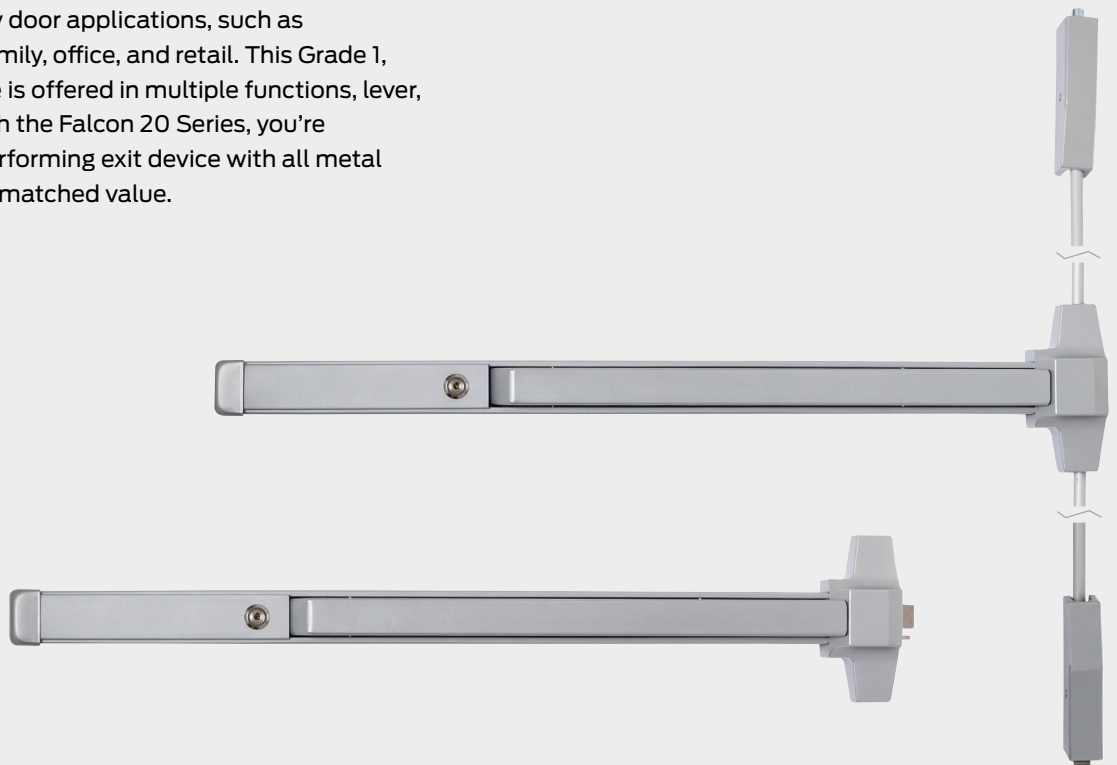
FALCON®

20 Series

Light-to-medium duty
pushbar exit device

Overview

Falcon® prides itself on dependable, cost-effective products that meet or exceed life safety and building requirements. The Falcon 20 Series, pushbar exit devices are ideal for light-to-medium duty door applications, such as commercial, multi-family, office, and retail. This Grade 1, affordable exit device is offered in multiple functions, lever, and trim options. With the Falcon 20 Series, you're choosing a quality performing exit device with all metal construction at an unmatched value.



20 Series

Light-to-medium duty, Grade 1 exit device

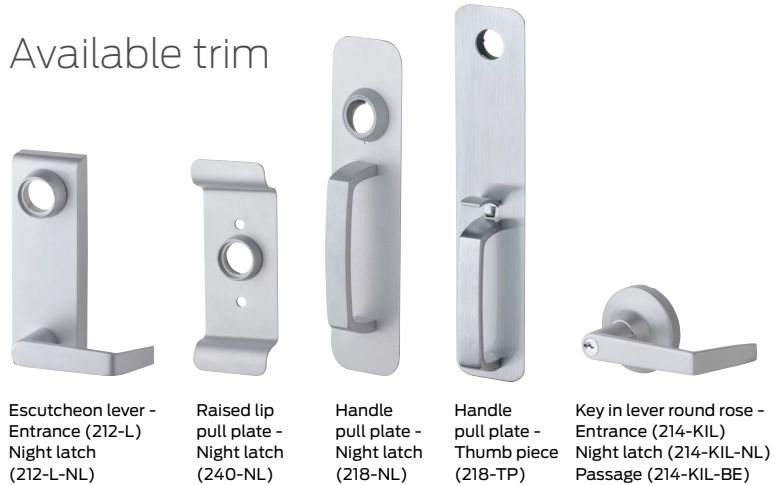
The Falcon 20 Series exit device is an affordable and reliable choice. Offered in Rim, Surface Vertical, Rim Fire and Surface Vertical Fire that will accommodate 161 door prep, this series can meet the needs of your application. This series offers 8 different trim functions including 161 key in lever.

Specifications

- Meets ANSI/BHMA A156.3-2014 Grade 1 testing standards
- Standard features include scratch-resistant surfaces and deadlocking built into the device
- UL305 listed panic devices
- UL10 listed 3-hour fire rated devices for rim and surface vertical applications*
- Durable, steel mechanism case construction
- Devices fit standard 1 3/4" thick door
- 3 1/2" minimum stile width
- Hex key dogging standard on all panic devices
- Rim devices and trim are non-handed
- Surface vertical devices easily field reversible
- Universal hardware pack for wood and hollow metal
- Door widths:
 - 36" device fits 29" to 36" door size
 - 48" device fits 33" to 48" door size

* UL listed fire rated devices launching Q2 2018

Available trim



Available finishes



How to order

To order device, specify:

		20	R	EO	SP28	3'
Rating	F – Fire exit Blank – Panic exit	↑	↑	↑	↑	↑
Series	20	↑				
Type	R – Rim V – Surface vertical rod		↑			
Function	EO – Exit Only			↑		
Finish	SP28 US32D				↑	
Door width	3' 4'					↑

To order trim, specify:

		212	L	SP28
Type	212 – Lever trim 214 – Key-in-lever 218 – Handle pull plate 240 – Raised lip pull plate	↑	↑	↑
Function	L, L-NL KIL, KIL-NL, KIL-BE NL, TP		↑	
Finish	SP28 US32D			↑

About Allegion

Allegion (NYSE: ALLE) is a global pioneer in safety and security, with leading brands like CISA®, Interflex®, LCN®, Schlage®, SimonsVoss® and Von Duprin®. Focusing on security around the door and adjacent areas, Allegion produces a range of solutions for homes, businesses, schools and other institutions. Allegion is a \$2 billion company, with products sold in almost 130 countries. For more, visit www.allegion.com.

KRYPTONITE ■ LCN ■  ■ STEELCRAFT ■ VON DUPRIN



© 2024 Allegion
012023, Rev. 11/24
www.allegion.com/us