

FALCON®

Motorized Electric Latch Retraction-MEL

Featuring 24 and 25 Series
exit devices



Overview

Motorized electric latch retraction (MEL) provides energy efficient electronic control of an exit device for an affordable around the door solution. The MEL option is Falcon's® solution of choice for multifamily and commercial real estate facilities where cost competitive electromechanical latch retraction is desired. It is available on Falcon 24 and 25 Series exit devices, except 25-M (mortise).

These devices always provide mechanical egress. Motorized electric latch retraction can be used with credential readers to unlatch doors momentarily for authorized users, or it can be incorporated with systems to retract latches for extended periods of time to allow free entry. This is a convenient alternative to mechanical dogging. Doors with automatic operators also often incorporate exit devices with electric latch retraction.

The MEL option is available on panic and fire rated devices. Because fire exit hardware must be self latching, an automatic fire alarm system must be incorporated to drop power to fire rated MEL devices in case of fire.

Features and benefits

- MEL option available on 24 and 25 Series exit devices, except 25-M (mortise)
- Energy efficient motorized latch retraction enables longer wire runs and the use of a standard Schlage® power supply with option board
- Modular design allows for a simplified installation of the available MEL Conversion kit to existing mechanical Falcon 24 or 25 exit devices
- On-board installation and troubleshooting diagnostics built into the motor assembly
- Self-calibrating motor assembly
- Pushbar is pulled in electronically when dogged
- Vandal resistant – detects and responds to events of attack and tampering
- Available with Allegion Connect (-CON) on full device and kits

Specifications compliance

- MEL is designed for use on exit devices that are BHMA Certified to ANSI/BHMA A156.3
- Exit devices with MEL are UL and cUL Listed as "Panic Hardware" (UL 305) and as "Fire Exit Hardware" (UL 10C)
- The MEL Conversion Kit is UL Classified under "Accessories for Single-Point Locks and Latches and Fire Exit Hardware" (UL 10C)

Electronic specifications

MEL electrical load		MEL wire run lengths	
Voltage	24 VDC	Distance (one way)	Wire gauge
Current	1.0 A Inrush (0.5 sec) 0.14 A Holding	200'	18 AWG
		320'	16 AWG
		500'	14 AWG
		800'	12 AWG

Accessories

The MEL has a low inrush current = 1.0 amps, so it can be used with standard Schlage power supplies. When powering multiple components, verify that the amperage requirement of all components combined does not exceed the power supply output rating. See table below for output ratings.

Schlage PS902	Schlage PS904	Schlage PS906
up to 2 amps	up to 4 amps	up to 6 amps

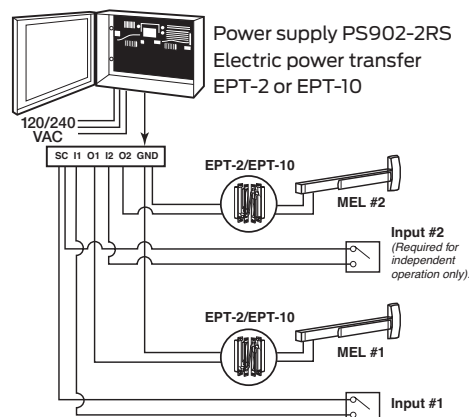
The MEL device is compatible with the following equipment: PS900 Series power supplies - PS902, 904, 906, 914; 900 Series Option Boards - 900-2RS, 900-4R and 900-4RL. The power transfer (EPT, electrified hinge, or door loop) is also sold separately. Please refer to Falcon catalog for more information on EPT-2/EPT-10 power transfers, electrified hinges, and PS900 series power supplies.

How to order

- To order the MEL feature add "MEL" prefix to device designation (example: MEL-25-R-EO).
NOTE: Mechanical dogging is not an option with MEL.
- To order the MEL conversion kit, please specify finish with part number (US3, US4, US10, US26, US26D, US32D, SP28, SP313). MEL conversion kits are only compatible with mechanical Falcon 24 and 25 series exit devices. MEL kits may not be used to convert an EL device.

Model No.	Description	Part number	Part number with Allegion Connect (-CON)
25-MELK-3	25 Motorized Electric Latch Retraction Kit 3'	47266630	47270546
25-MELK-4	25 Motorized Electric Latch Retraction Kit 4'	47266631	47270547
24-MELK-3	24 Motorized Electric Latch Retraction Kit 3'	47266632	47270548
24-MELK-4	24 Motorized Electric Latch Retraction Kit 4'	47266633	47270549

Popular application



About Allegion

Allegion (NYSE: ALLE) is a global pioneer in safety and security, with leading brands like CISA®, Interflex®, LCN®, Schlage®, SimonsVoss® and Von Duprin®. Focusing on security around the door and adjacent areas, Allegion produces a range of solutions for homes, businesses, schools and other institutions. Allegion is a \$2 billion company, with products sold in almost 130 countries. For more, visit www.allegion.com.

KRYPTONITE ■ LCN ■  ■ STEELCRAFT ■ VON DUPRIN



© 2019 Allegion
012500, Rev. 03/19
www.allegion.com/us