

**SCHLAGE**

## AD-200

Standalone electronic lock



### Overview

AD Series electronic locks from Schlage are designed to be modular and provide more options to choose from, more functionality in the lock and more compatibility with existing systems. Its patent-pending modular design allows the lock to be customized to fit the needs of an application now, and can change to meet future needs without removing it from the door.

Factory orderable options include choices of credential readers, chassis type, locking functions, power options, lever styles and finishes. It also offers a wide selection of features that can be configured in the field to customize your openings.

The AD-200 is a simple, economical solution if no access control system currently exists in facility, or for openings that don't require the control of a networked solution. The AD-200 is easily upgradable to a networked lock if requirements change in the future.

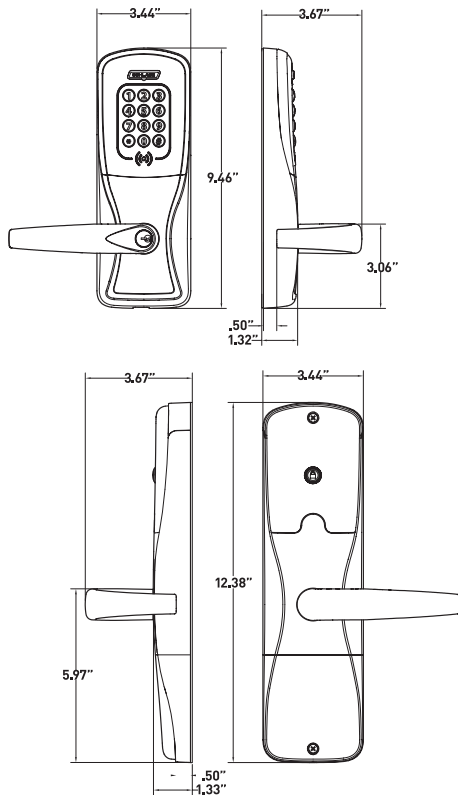
On all AD Series standalone locks, Schlage has built in many of the incremental features needed in a networked system such as request-to-exit and -enter sensors, interior cover tamper guard, as well as the door position switch. This way, if the customer chooses to network this opening in the future, all the components will be there to make the transition an easy one.

### Features and benefits

- Security that's more intelligent and convenient than traditional mechanical locking devices
- Audit trail reports that allow you to track usage and events
- Update users and access rights at the lock using the keypad or handheld device
- The ability to upgrade to a networked solution without removing the lock from the door
- Available in cylindrical, mortise, mortise deadbolt and exit trim
- Compatible with major brands of master key systems and exit devices
- Hardwired remote push button release capability
- Programmable option for lighted occupancy indication<sup>2</sup>
- ANSI/BHMA A156.25, ANSI/BHMA Grade 1, UL 294, UL 10C, FCC Part 15, ADA, FL12400<sup>1</sup>, FL1591<sup>1</sup>, FL13013<sup>1</sup> and FL14482<sup>1</sup>

<sup>1</sup> Applies to cylindrical and mortise chassis only

<sup>2</sup> Available on privacy function locks manufactured after May 2019 with firmware version ADA.126 or higher.



## AD-200 electronic lock specifications

|                                  |  |
|----------------------------------|--|
| Users                            | Up to 5000   |
| Audits                           | Up to 5000   |
| Credential verification time     | ≤ 1 second <sup>1</sup>  |
| Visual/audible communications    | Tri-colored LEDs and audible indicators (field configurable)           |
| System interface                 | SUS mobile app on compatible Android device <sup>3</sup>               |
| Power supply                     | 4AA, 8AA, 12 VDC or 24 VDC   |
| Voltage range                    | 4 VDC to 26 VDC  |
| Max current requirement          | Up to 250 mA   |
| Battery life                     | Up to 2 yrs with 4AA   |
| Operating temperature - exterior | -31° to 151°F (-35° to 66°C)   |
| Operating temperature - interior | 32° to 120°F (0° to 49°C) (battery)                                    |
| Operating humidity               | 0 - 100% non-condensing  |
| Certifications                   | ANSI/BHMA A156.25, ANSI/BHMA Grade 1, UL 294, UL 10C, FCC Part 15, ADA |
| Accessories                      | SUS-A Cable used with SUS Android mobile app <sup>3</sup>              |

### Functions

- Classroom/storeroom<sup>2</sup>
- Office<sup>2</sup>
- Privacy
- Apartment

### Standard status signals

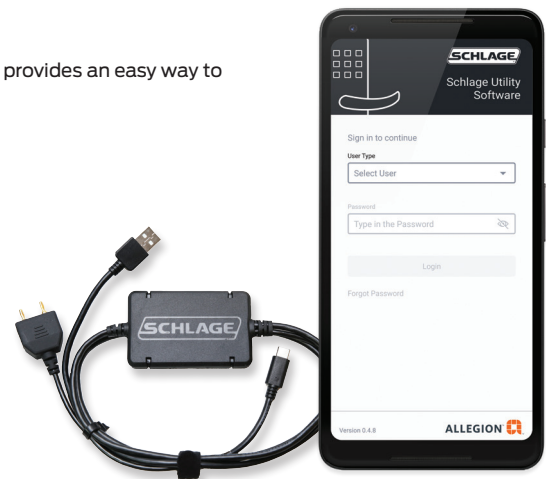
- Battery status - indicated by flashing LED light
- Lock/unlock status
- Mechanical key override
- Occupied - indicated by red LED light (privacy function only)

## Schlage Utility Software

The Schlage Utility Software (SUS) mobile app on compatible Android mobile devices provides an easy way to manage people, audits and locks for simple access control management.

### Schlage Utility Software

- Initialize lock and accessories
- Field configure devices
  - Credential reader formats
  - Lock function
  - Unlock period
  - Failure mode
  - Audible alarm on/off
- Service and diagnostics
  - Battery status
  - Validate hardware and software revision
  - Troubleshooting status signals
- New device template simplifies configuration



<sup>1</sup> Verification time is dependent on size of user base

<sup>2</sup> Classroom/storeroom and office function not available with mortise deadbolt option.

<sup>3</sup> Also compatible with legacy Handheld Device (HHD)

## Mechanical specifications

| Chassis                          | Cylindrical   | Mortise  | Exit trim               |
|----------------------------------|---|--|-------------------------|
| Handing                          | Handed to order, field reversible   |  |                         |
| ANSI standard (Meets or exceeds) | A156.25<br>A156.2 Series 4000<br>Grade 1  | A156.25<br>A156.13 Series 1000<br>Grade 1                      | A156.25<br>A156.3       |
| Door thickness                   | 1 3/4" standard, 1 3/8" to 2 3/4" optional (available in 1/8" increments)   |  |                         |
| Backset                          | Standard: 2 3/4"<br>Optional: 2 3/8", 3 3/4", 5"  | 2 3/4" only  | Defined by exit device  |
| Latch bolt                       | Standard: 1/2" throw<br>Optional: 3/4" throw  | Standard: 3/4" throw<br>Optional: 1" throw on mortise deadbolt | Provided by exit device |
| Levers                           | Pressure cast zinc, plated  |  |                         |
| Strike                           | Standard: 1 3/16" lip, ANSI, 1 1/4" x 4 7/8"<br>Optional: Additional configurations available please see price book   |  | Provided by exit device |
| Cylinder and keys                | Schlage 6-pin Everest 29 S123 keyway Conventional cylinder with two patented keys standard. Additional options available including SFIC, FSIC and competitor brands. See lever and cylinder compatibility data sheet (010432) |  |                         |

## Multi-technology reader specification

|   |   |
|---|---|
| Credential technologies                     | Proximity (125 kHz) and Smart (13.56 MHz)   |
| Standards                                   | ISO standard 15693 and ISO 14443  |
| Maximum read range                          | <b>Proximity:</b> up to 1.25"<br><b>Smart:</b> up to 0.75"  |
| Proximity credential compatibility          | <b>Compatibility:</b> Schlage®, ISONAS™, HID®, GE/CASI ProxLite®, AWID® and LenelProx®<br><b>Schlage credential style formats:</b> Clamshell, ISO card, ISO card with magnetic stripe, keyfob, thin keyfob, PVC adhesive disk   |
| Smart credential compatibility <sup>4</sup> | <b>Secure sector compatibility:</b> Schlage MIFARE Classic®, Schlage MIFARE Plus®, Schlage MIFARE® DESFire®, PIV and PIV-1®<br><b>CSN only compatibility:</b> HID iCLASS®, HID iCLASS SE®, Inside Contactless Pico Tag®, MIFARE Classic/Plus/DESFire, ST Microelectronics®, Texas Instruments Tag-It®, Phillips I-Code®<br><b>Schlage credential style formats:</b> Clamshell, ISO card, ISO card with magnetic stripe, keyfob, thin keyfob, wearable wristband, PVC adhesive patch |
| Certifications/standards                    | FCC, UL 294 Listed, ISO standard 15693, and ISO standard 14443  |
| Style/layout                                | Option for 12 button, 3x4 matrix backlit keypad   |

<sup>1</sup> Request-to-exit switch optional for future network migration

<sup>2</sup> Narrow design and reversible rim exits not compatible

<sup>3</sup> 75 bit output format default. Configurable to other output formats. Check with access control provider for specific support

<sup>4</sup> Smart card functionality dependant on access control software

## AD Series exit trim

Installed with a universal mounting plate, the AD Series exit trim is compatible with the following exit devices:

- Von Duprin 98/99 & 98/99XP<sup>1</sup> Rim, surface vertical rod, mortise. Concealed vertical cable and concealed vertical rod on metal doors only.
- Von Duprin 22/22F<sup>1</sup> Rim, surface vertical rod
- Falcon 25<sup>1</sup> - Rim
- Sargent® 80<sup>2</sup> Series - Rim
- Precision™ 21 Rim 2100 converts to 21 with Precision's BP21 kit
- Corbin Russwin® 5000 Series - Rim
- Yale® 7000 - Rim
- Dorma® 9300 - Rim

## Benefits of AD Series multi-technology readers:

- Reads multiple brands of both proximity (125 kHz) and smart (13.56 MHz) technologies with single reader
- Allows facility to migrate to more secure credential technologies over time and as budgets permit

## Additional readers

### Si option with HID® support

Supports:

- Secure application area of HID iCLASS®, iCLASS SE®, Seos® smart credentials
- iCLASS Standard Key and Elite Keys
- All Schlage MIFARE® smart credentials
- Does not support proximity

### Magnetic stripe

- Available with choice of insertion or swipe style readers
- Triple track reader (1, 2 or 3), field configurable
- ABA, ISO76XX standard

### Keypad

- Backlit keypad
- 12 button, 3x4 matrix

## Available AD Series reader modules



**Multi-technology**  
▪ Proximity  
▪ Smart



**Multi-technology**  
▪ Proximity  
▪ Smart



**Smart - HID support**  
▪ Smart  
▪ KEYPAD



**Smart - HID support**  
▪ Smart



**Magnetic stripe (insertion)**  
▪ KEYPAD



**Magnetic stripe (insertion)**



**Magnetic stripe (swipe)**  
▪ KEYPAD



**Magnetic stripe (swipe)**



**Keypad**

▪ KEYPAD  
FIPS 201-1 compliant option available (FMK)

# Ordering information

Available through one of our GSA schedule 84 approved distributors; BAA options available

AD-200-CY-70-MG-SPA-626-P6-S123-RH-4B-13-049-10-025-1 3/4

| Series | Class | Chassis | Function | Reader | Lever style | Finish | Lever cylinder | Keying type | Handing | Battery | Backset and latch | Strike | Door thickness |
|--------|-------|---------|----------|--------|-------------|--------|----------------|-------------|---------|---------|-------------------|--------|----------------|
| 1      | 2     | 3       | 4        | 5      | 6           | 7      | 8              | 9           | 10      | 11      | 12                | 13     | 14             |

Selections correspond with the numbers above

Standard options are indicated in bold. See price book for specific configuration options.

|           |                                      |
|-----------|--------------------------------------|
| <b>3</b>  | <b>Chassis</b>                       |
| CY        | Cylindrical                          |
| MS        | Mortise                              |
| MD        | Mortise deadbolt                     |
| 993R      | Exit trim – Rim/CVC/CVR              |
| 993S      | Exit trim – SVR                      |
| 993M      | Exit trim – mortise                  |
| 993DT     | Non-functioning dummy trim for exit  |
| <b>4</b>  | <b>Function</b>                      |
| 70        | Classroom/storeroom                  |
| 50        | Office                               |
| 40        | Privacy                              |
| 60        | Apartment                            |
| <b>5</b>  | <b>Reader</b>                        |
| <b>KP</b> | <b>Keypad</b>                        |
| MG        | Magnetic stripe (insertion)          |
| MGK       | Magnetic stripe + keypad (insertion) |
| MS        | Magnetic stripe (swipe)              |
| MSK       | Magnetic stripe + keypad (swipe)     |
| MT        | Multi-technology                     |
|           | (125 kHz and 13.56 MHz)              |
| MTK       | Multi-technology + keypad            |
|           | (125 kHz and 13.56 MHz)              |
| Si        | Smart - HID support                  |
| SiK       | Smart - HID support + keypad         |
| DT        | Dummy trim                           |

|          |              |
|----------|--------------|
| <b>6</b> | <b>Lever</b> |
| ATH      | Athens       |
| BRK      | Boardwalk    |
| BRW      | Broadway     |
| LAT      | Latitude     |
| LON      | Longitude    |
| RHO      | Rhodes       |
| SPA      | Sparta       |
| TLR      | Tubular      |

Available with knurled surface

|            |                            |
|------------|----------------------------|
| <b>7</b>   | <b>Finish</b>              |
| <b>626</b> | <b>Satin chrome</b>        |
| 605        | Bright brass               |
| 606        | Satin brass                |
| 612        | Satin bronze               |
| 619        | Satin nickel               |
| 625        | Bright chrome              |
| 643e       | Aged bronze                |
| 626AM      | Satin chrome antimicrobial |

|           |   |
|-----------|---|
| <b>8</b>  | <b>Lever cylinder type</b>                              |
| <b>P6</b> | <b>Schlage 6-pin Conventional key-in-lever cylinder</b> |

See price book for other SFIC, FSIC and less cylinder options available. Compatible with Schlage, Sargent, Corbin, Medeco and Yale.

|             |                    |
|-------------|--------------------|
| <b>9</b>    | <b>Keyway type</b> |
| <b>S123</b> | <b>Everest 29</b>  |

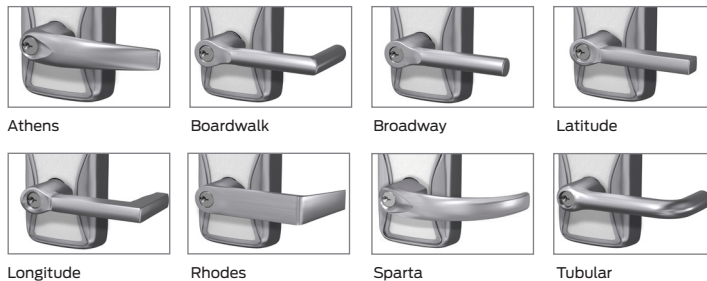
See price book for other available keyway options including restricted keyways in Primus XP high security cylinders and master keying

|           |                     |
|-----------|---------------------|
| <b>10</b> | <b>Handing</b>      |
| <b>RH</b> | <b>Right handed</b> |
| <b>LH</b> | <b>Left handed</b>  |

Field reversible

## Lever styles

Conventional cylinders shown, SFIC and FSIC also available.



## About Allegion

Allegion (NYSE: ALLE) is a global pioneer in seamless access, with leading brands like CISA®, Interflex®, LCN®, Schlage®, SimonsVoss® and Von Duprin®. Focusing on security around the door and adjacent areas, Allegion secures people and assets with a range of solutions for homes, businesses, schools and institutions. Allegion had \$2.7 billion in revenue in 2020, and its security products are sold around the world. For more, visit [www.allegion.com](http://www.allegion.com)

KRYPTONITE ■ LCN ■ **SCHLAGE** ■ STEELCRAFT ■ VON DUPRIN

|           |                |
|-----------|----------------|
| <b>11</b> | <b>Battery</b> |
| <b>4B</b> | <b>4AA</b>     |
| <b>8B</b> | <b>8AA</b>     |

|           |   |
|-----------|---|
| <b>12</b> | <b>Backset and latch or armor front</b> |
|-----------|---|

**Cylindrical**  
**13-049** **2 3/4" backset, deadlatch, square corner, 1 1/8" x 2 1/4"**

**Mortise**  
**09-663** **Armor front, 1 1/4" wide, square corner**

See price book for mortise deadbolt and other backset and latch options or armor front options

|           |               |
|-----------|---------------|
| <b>13</b> | <b>Strike</b> |
|-----------|---------------|

**Cylindrical**  
**10-025** **1 3/16" lip, ANSI, no box, 1 1/4" x 4 7/8"**

**Mortise**  
**10-072** **1 3/16" lip, 1 1/4" x 4 7/8" square corner, box**

See price book for other available strikes

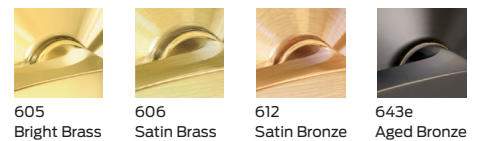
|           |                       |
|-----------|-----------------------|
| <b>14</b> | <b>Door thickness</b> |
|-----------|-----------------------|

**1 3/4"**  
 Other thicknesses available between **1 3/8" and 2 3/4"**

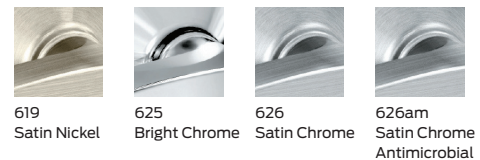
See price book for detail

## Finishes

Warm tone finishes



Cool tone finishes



**ALLEGION™**

© 2022 Allegion  
 004442, Rev. 03/22  
[www.allegion.com/us](http://www.allegion.com/us)