



## CO-220

Standalone classroom lockdown solution with remote fob and visual indicator



Images shown are not to scale and are subject to change.

### Overview

The CO Series standalone classroom lockdown solution with remote fob and visual indicator is the ideal solution for customers who require the ability to initiate immediate local lockdown of up to 10 paired locks within range in the event of an emergency. The CO-220 classroom lockdown solution with remote fob and visual indicator can be put into a lockdown state (panic mode) from within the room by authorized staff members utilizing a pre-paired remote fob.

The CO-220 classroom lockdown solution with remote fob and visual indicator is computer or manually programmable with user rights stored on the lock. The Handheld Device (HHD), used in conjunction with your access control software, allows you to easily add or delete users and retrieve audits.

By issuing electronic credentials, you can minimize the number of mechanical keys issued which protects the integrity of your key system. A variety of credential readers are also available, including keypad, magnetic stripe and proximity.

Cylindrical, mortise and exit trim chassis options are available as well as a wide variety of finishes and levers to suite with your existing hardware. Mechanical key override is standard and compatible with multiple cylinder types.

The CO Series has been tested to the highest standards in the industry to ensure the quality and reliability you have come to expect from Schlage. The CO Series is ANSI/BHMA A156.25, ANSI/BHMA Grade 1 certified, and UL 10C Listed.

### Features and benefits

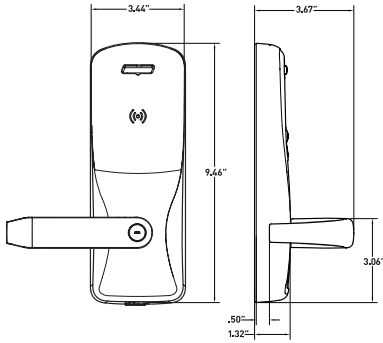
- Includes one pre-paired remote lockdown fob
  - Typical range of up to 75' on secured side and up to 25' on exterior side of the door<sup>1</sup>
- Continuous internal LED illumination during lockdown/panic mode
- In lockdown/panic mode, only fob, key or administrative/safety official credentials will override lock
- Always free egress even in lockdown/panic mode
- Manually or computer programmable with audit trail
- Up to 2000 users and up to 2000 audits<sup>2</sup>
- Up to 32 holidays and 16 time zones<sup>2</sup>
- ANSI/BHMA A156.25, ANSI/BHMA Grade 1 certified, UL 10C, FL12400<sup>3</sup>, FL1591<sup>3</sup>, FL13013<sup>3</sup> and FL14482<sup>3</sup> listed
- User rights stored on the lock
- The ability to add and delete users at the lock
- Available in cylindrical, mortise and exit trim options
- Compatible with major brands of key systems

<sup>1</sup> Depending on building construction

<sup>2</sup> Depending on standalone access control software

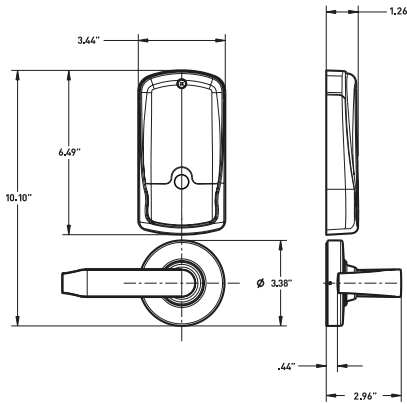
<sup>3</sup> Applies to cylindrical and mortise chassis only

### Exterior of the lock



### Interior of the lock

#### Cylindrical



## CO-220 electronic lock specifications

Users	Up to 2,000 <sup>1</sup>
Audits	Up to 2,000 <sup>1</sup>
Credential verification time	≤ 1 second
Visual/audible communications	Tri-colored LED's and audible indicators
Power supply	4 AA batteries (standard off the shelf: included)
Voltage range	4 VDC to 7 VDC
Max current requirement	Up to 250 mA
Battery life	Up to 2 yrs with 4AA batteries
Operating temperature - exterior	-31° to 151°F (-35° to 66°C)
Operating temperature - interior	32° to 120°F (0° to 49°C) due to batteries
Operating humidity	0 - 100% non-condensing
Certifications	ANSI/BHMA A156.25, ANSI/BHMA Grade 1, UL 10C, UL Canada, FCC Part 15, ADA and RoHS

### Functions

- Classroom security<sup>2</sup>

### Standard status signals

- Mechanical key override
- Battery status - indicated by blinking lights
- Access granted/access denied
- Programming commands

## Fob specifications

Battery life	Up to 2 years with a CR2025 coin cell battery
--------------	---

- Remote lockdown fob (part #4485001) is shipped standard with the lock and can be paired to a single lock.
- Remote lockdown fob (part #24744856) is sold separately as an accessory and can be paired to up to ten locks.
- Each lock can be paired to up to ten fobs.

## Schlage Utility Software on Handheld Device

The Schlage Utility Software (SUS) on the Handheld Device (HHD) provides an easy way to manage people, audits and locks for simple access control management.

#### Schlage Utility Software

- Initialize lock and accessories
- Field configure devices
  - Credential reader formats
  - Lock function
  - Unlock period
  - Failure mode
  - Audible alarm on/off
- Service and diagnostics
  - Battery status
  - Validate hardware and software revision
  - Troubleshooting status signals
- New device template simplifies configuration

#### HHD

- 3.5 inch display
- Touch screen/keypad backlit
- 32-bit processor
- OS: Windows Mobile 6.5
- Memory: 128 MB RAM/ 256 MB ROM
- Battery: rechargeable Li-ion
- Dimensions: 5.1" x 2.8" x 0.65" (13.0 cm x 7.2 cm x 1.7 cm)
- Weight: 0.42 lbs (190 g)
- 5 ft (1.2 m) drop to steel surface, 2 drops per 6 sides



The HHD connects with AD Series and CO Series locks and accessories via the USB interface

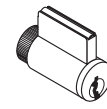
For replacement HHD devices with a serial cable connection, please contact Technical Support at 877.671.7011.

<sup>1</sup> Depending on access control software

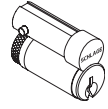
<sup>2</sup> To ensure safety, all functions always allow for free egress

## Mechanical specifications

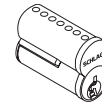
Chassis	Cylindrical	Mortise	Exit trim
Handing	Handed to order, field reversible		
ANSI standard (Meets or exceeds)	A156.25 A156.2 Series 4000 Grade 1	A156.25 A156.13 Series 1000 Grade 1	A156.25 A156.3
Door thickness	1 3/4" standard, 1 3/8" to 2 3/4" optional (available in 1/8" increments)		
Backset	Standard: 2 3/4" Optional: 2 3/8", 3 3/4", 5"	2 3/4" only	Defined by exit device
Latch bolt	Standard: 1/2" throw Optional: 3/4" throw	Standard: 3/4" throw	Provided by exit device
Levers	Pressure cast zinc, plated		
Strike	Standard: 1 3/16" lip, ANSI, 1 1/4" x 4 7/8" Optional: Additional configurations available please see price book		Provided by exit device
Cylinder and keys	Schlage 6-pin Everest 29 S123 keyway Conventional cylinder with two patented keys standard. Additional options available including SFIC, FSIC and competitor brands. See lever and cylinder compatibility data sheet (010432)		
Exit device compatibility	See CO Series exit trim compatibility data sheet (004183)		



Full cylinder



Full Size Interchangeable Core



Small Format Interchangeable Core

## Reader specifications

	Keypad	Magnetic stripe	Proximity
Frequency standards	N/A	ABA, ISO76XX standard high and low coercivity	125 kHz
Maximum read range	N/A	N/A (swipe card)	up to 1.25"
Compatibility	3-6 digit pin code	Triple track reader (1, 2 or 3), field configurable	Schlage, ISONAS®, HID®, GE/CASI ProxLite™ and AWID®
Compatible Schlage credentials	N/A	Configurable to read complete track 1, 2 or 3	125 kHz clamshell, ISO card, ISO card with magnetic stripe, keyfob, and PVC disk (7000 Series)
Style/layout	12-button, 3x4 matrix	Option for 12-button, 3x4 matrix	Option for 12-button, 3x4 matrix

Available  
CO-220  
reader  
options



Keypad



Proximity  
KEYPAD



Proximity



Magnetic Stripe



Magnetic Stripe  
KEYPAD

# Ordering information

Required fields							Factory defaults and options					
CO-220-CY-75-PR-SPA-626-PD-S123-RH-13-049-10-025-1 3/4												
Series	Class	Chassis	Function	Reader	Lever style	Finish	Lever cylinder	Keying type	Handing	Backset and latch	Strike	Door thickness
1	2	3	4	5	6	7	8	9	10	11	12	13

Selections correspond with the numbers above

Standards options are indicated in bold. See price book for specific configuration options.

<b>3</b>	<b>Chassis</b>
CY	Cylindrical
MS	Mortise
993R	Exit trim- Rim/CVC/CVR
993M	Exit trim- mortise
993DT	Exit dummy trim
<b>4</b>	<b>Function</b>
75	Classroom Security
<b>5</b>	<b>Reader</b>
<b>KP</b>	<b>Keypad</b>
PR	Proximity
PRK	Proximity + keypad
MS	Magnetic stripe
MSK	Magnetic stripe + keypad
<b>6</b>	<b>Lever</b>
ATH	Athens
BRK	Boardwalk
BRW	Broadway
LAT	Latitude
LON	Longitude
RHO	Rhodes
SPA	Sparta
TLR	Tubular
Available with tactile warning options	

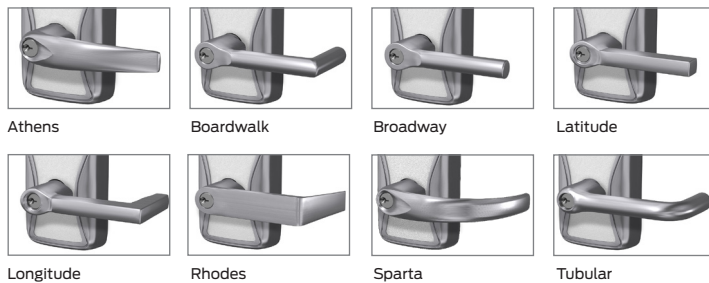
<b>7</b>	<b>Finish</b>
<b>626</b>	<b>Satin chrome</b>
605	Bright brass
606	Satin brass
612	Satin bronze
619	Satin nickel
625	Bright chrome
643e	Aged bronze
626AM	Satin chrome antimicrobial
<b>8</b>	<b>Lever cylinder type</b>
<b>PD</b>	<b>Schlage 6-pin Conventional key-in-lever cylinder</b>
See price book for other SFIC, FSIC and less cylinder options available. Compatible with Schlage®, Sargent®, Corbin Russwin, Medeco® and Yale®.	
<b>9</b>	<b>Keyway type</b>
<b>S123</b>	<b>Everest 29</b>
See price book for other available keyway options including restricted keyways in Primus XP high security cylinders and master keying	
<b>10</b>	<b>Handing</b>
<b>RH</b>	<b>Right handed</b>
RHR	Right handed reverse
LH	Left handed
LHR	Left handed reverse

Field reversible

<b>11</b>	<b>Backset and latch or armor front</b>
<b>Cylindrical</b>	
<b>13-049</b>	<b>2 3/4" backset, deadlatch, square corner, 1 1/8" x 2 1/4"</b>
<b>Mortise</b>	
<b>09-663</b>	<b>Armor front, 1 1/4" wide, square corner</b>
See price book for mortise deadbolt and other backset and latch options or armor front options	
<b>12</b>	<b>Strike</b>
<b>Cylindrical</b>	
<b>10-025</b>	<b>1 3/16" lip, ANSI, no box, 1 1/4" x 4 7/8"</b>
<b>Mortise</b>	
<b>10-072</b>	<b>1 3/16" lip, 1 1/4" x 4 7/8" square corner, box</b>
See price book for other available strikes	
<b>13</b>	<b>Door thickness</b>
<b>1 3/4"</b>	
Other thicknesses available between 1 3/8" and 2 3/4"	
See price book for detail	

## Lever styles

Conventional cylinders shown, SFIC and FSIC also available.



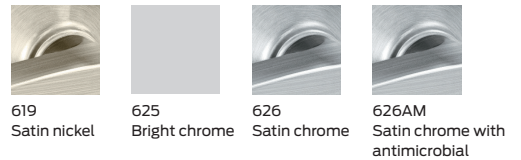
Allegion, the Allegion logo, Schlage, the Schlage logo, and Falcon are trademarks of Allegion plc, its subsidiaries and/or affiliates in the United States and other countries. All other trademarks are the property of their respective owners.

## Finishes

Warm tone finishes



Cool tone finishes



## About Allegion

Allegion (NYSE: ALLE) is a global pioneer in safety and security, with leading brands like CISA®, Interflex®, LCN®, Schlage®, SimonsVoss® and Von Duprin®. Focusing on security around the door and adjacent areas, Allegion produces a range of solutions for homes, businesses, schools and other institutions. Allegion is a \$2 billion company, with products sold in almost 130 countries. For more, visit [www.allegion.com](http://www.allegion.com).

KRYPTONITE ■ LCN ■ **SCHLAGE** ■ STEELCRAFT ■ VON DUPRIN



© 2019 Allegion  
009575, Rev. 02/19  
[www.allegion.com/us](http://www.allegion.com/us)