



CO Series

Exit Trim compatibility



Overview

The CO Series offers 993 Exit Trim for use with compatible exit devices in retrofit or new construction applications. The 993 Exit Trim was designed to suite with CO Series cylindrical and mortise locksets to ensure that the facility remains aesthetically consistent. The CO Series 993 Exit Trim utilizes universal hardware to simplify installation of offline trim to a variety of exit devices, including Rim style from Von Duprin, Falcon, Sargent®, Precision™ Corbin Russwin®, Dorma® and Yale®

Available Exit Trim styles:

- 993R – Rim, Concealed Vertical Rod or Concealed Vertical Cable (CVR/CVC for metal doors only)
- 993S – Surface vertical rod
- 993M – Mortise
- 993DT – Non-functioning dummy trim for exit

Features and benefits

- Multiple credential reader options
- A wide variety of finishes and lever styles
- Powered by 4 AA batteries¹
- Compatible with all Schlage Conventional, FSIC and SFIC formatted cylinders including many competitive OEM cylinders such as Sargent®, Corbin Russwin®, Medeco® and Yale®
- UL 294 Listed, ANSI/BHMA A156.25, ANSI/BHMA Grade 1 certified²

Compatibility

Devices	CO-100/CO-200/CO-220 ⁵ /CO-250
Von Duprin 98/99 and 98/99XP Rim/SVR ⁵ /CVR ³ /CVC ³ /mortise	X
Von Duprin 22/22F Rim/SVR ⁵	X
Falcon 25 Rim	X
Sargent® 80 ⁴ Rim	X
Precision™ 21 Rim (2100 converts to 21 with Precision's BP21 kit)	X
Yale® 7000 Rim	X
Corbin Russwin® 5000 Rim	X
Dorma® 9300 Rim	X

¹ Excluding dummy trim devices (993DT)

² UL 294 does not apply to dummy trim devices (993DT) or CO-220 locks

³ Metal door only

⁴ Narrow design and reversible Rim exits not compatible

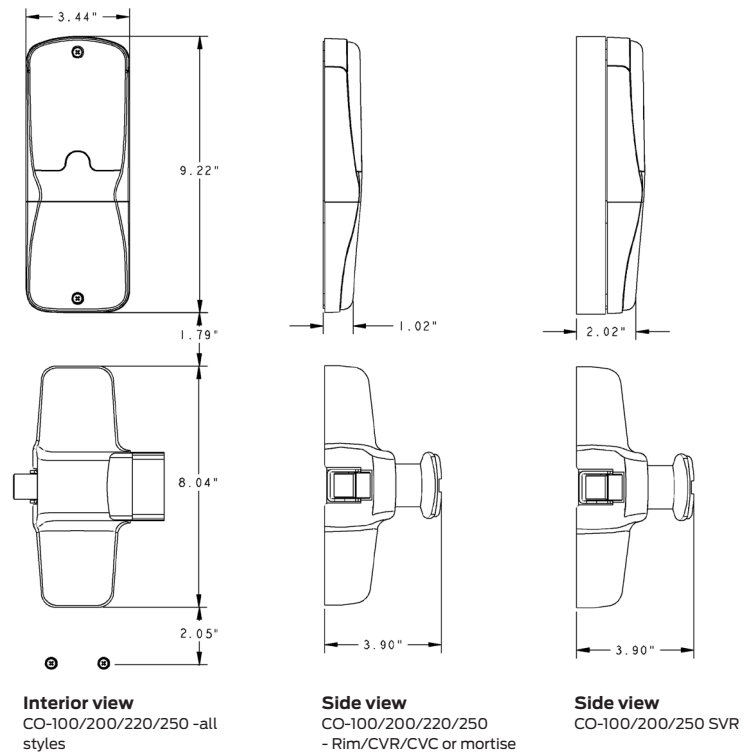
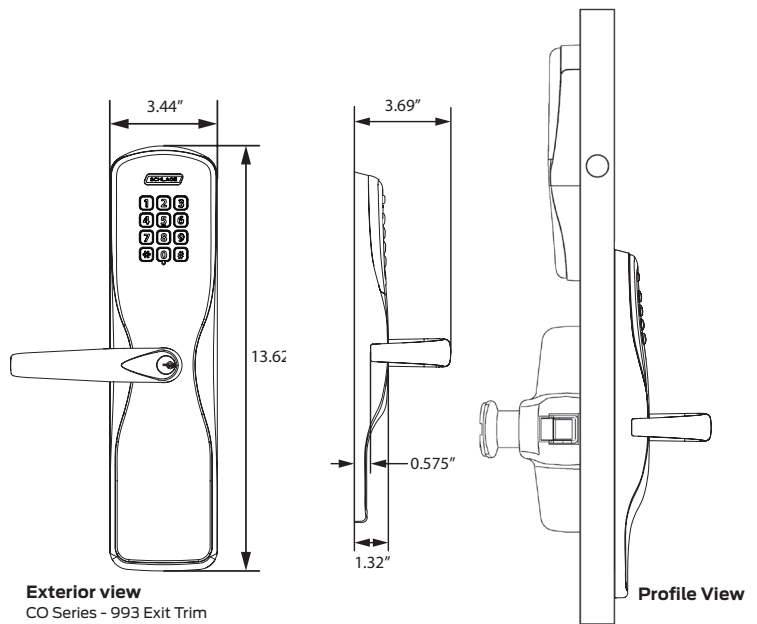
⁵ CO-220 is not compatible with surface vertical rod (SVR) devices

Compatibility

Reader options	CO-100	CO-200/CO-220	CO-250
KP keypad	X	X	
PR proximity		X	
PRK proximity + keypad		X	
MS magnetic stripe		X	X
MSK magnetic stripe + keypad		X	X

Programming options

Reader options	CO-100	CO-200/CO-220	CO-250
Computer		X	X
Manual	X	X	



Note: (2) #7 fasteners with decorative washers located 11.88" below bottom edge of lock

Allegion, the Allegion logo, Falcon, Schlage, the Schlage logo and Von Duprin are trademarks of Allegion plc, its subsidiaries and/or affiliates in the United States and other countries. All other trademarks are the property of their respective owners.

About Allegion

Allegion (NYSE: ALLE) is a global pioneer in safety and security, with leading brands like CISA®, Interflex®, LCN®, Schlage®, SimonsVoss® and Von Duprin®. Focusing on security around the door and adjacent areas, Allegion produces a range of solutions for homes, businesses, schools and other institutions. Allegion is a \$2 billion company, with products sold in almost 130 countries. For more, visit www.allegion.com.

KRYPTONITE ■ LCN ■  ■ STEELCRAFT ■ VON DUPRIN



© 2019 Allegion
004183, Rev. 12/19
www.allegion.com/us