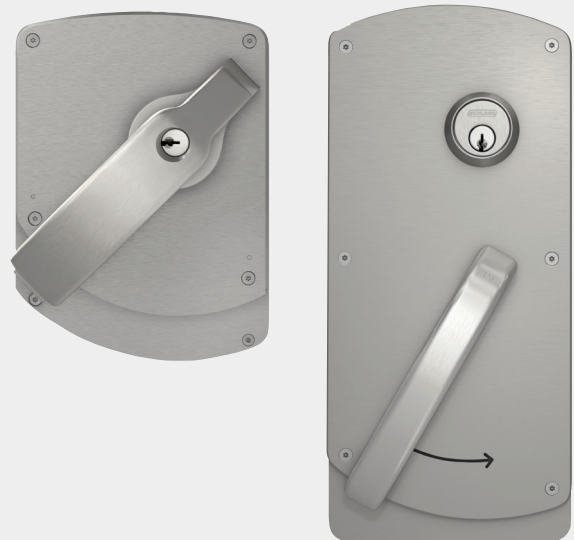




HSLR Series

Ligature resistant trim
for high risk applications



Overview

Hospitals, behavioral health facilities and detention centers are at high-risk for sentinel suicide events, even when regular monitoring checks are in place. Statistics from 2010-2017 show that over 70 percent of suicide attempts during hospital inpatient treatment utilized a ligature or strangulation point and almost 54 percent of those used a door or door hardware¹. To mitigate suicide risk more effectively facilities are making an effort to create spaces to keep patients safe from self harm.

Schlage® offers a comprehensive portfolio of door hardware that reduces the risk of injury or death due to ligature strangulation in all areas, but the High Security Ligature Resistant (HSLR) trim is especially recommended for high risk applications. The patented crescent-style handle design has quickly become the standard for ligature resistance and accessibility and is recognized by the widely-accepted New York State Office of Mental Health (NYS-OMH) Patient Safety Standard.

The HSLR ligature resistant trim is available for both the Schlage L Series mortise lock and Schlage ND Series cylindrical lock.

Recommended applications²

High risk areas

- Patient bedroom
- In-suite bathroom
- In-suite closet
- Time-out room

Patient difficult to manage; or risk of solitary and/or unsupervised areas.

Medium risk areas

- Living room
- Dining room
- Group room
- Kitchen
- Janitor's closet
- Hallway restroom

Patient access is controlled; or use is supervised with no solitary and/or unsupervised care.

Low risk areas

- Medication room
- Nurse station
- Office
- Laundry room
- Staff restroom
- Classroom

No patient use or area is constantly supervised.

Features and benefits

- The highest level of ligature resistance to positively contribute to healing environments
- Cylindrical and mortise options
- “Paperclip Protection” designation as determined by NYS-OMH testing
- Recommended for low, medium or high risk areas
- ADA Compliant - “no pinch, no grasp”
- Variety of mortise and cylindrical functions available, including electrified
- Supplied with Torx® security screws
- Available in 630 finish
- BAA compliant
- Locks are ANSI/BHMA Grade 1 certified
- UL Listed 3-hour

Note: Although designed to reduce the risk of injury or death due to ligature strangulation, these products are ligature resistant, but are not necessarily ligature proof.

1. The Joint Commission. Journal on Quality and Patient Safety: 2018; 44:643-650, Incidence and Method of Suicide in Hospitals in the United States

2. New York State Office of Mental Health. Patient Safety Standards, Materials and Systems Guidelines: August 15, 2018

Specifications

	ND Series HSLR cylindrical	L Series HSLR mortise
Functions	See price book for available functions	See price book for available functions
Door thickness	1 3/4" only	1 3/4" only
Handing	Must be specified on order	Must be specified on order
Trim materials	Lever: Stainless steel with aluminum spacer Plate: Stainless steel	Lever: Brass Plate: Stainless steel
Finishes	630 Satin stainless steel	630 Satin stainless steel
Backset	Standard: 2 3/4" Others available via RFQ	2 3/4"
Strike	ANSI curved lip strike 1 1/4" x 4 7/8" (32mm x 124mm) x 1 3/16" (30mm) lip to center with dust box	Deadbolt functions: ANSI curved lip strike Non-deadbolt functions: Ligature resistant ANSI curved lip strike 1 1/4" x 4 7/8" (32mm x 124mm) x 1 3/16" (30mm) lip to center with dust box
Cylinders and key systems	Standard: 6-pin Patented Everest 29, solid brass, keyed 6-pin with two nickel silver cut keys per lock. Additional cylinder and keying options available. See Schlage price book, ND Series or L Series catalogs.	
Warranty	10 year limited mechanical 1 year limited wired electrified	3 year limited mechanical 1 year limited wired electrified
ANSI/BHMA ¹	ANSI/BHMA A156.2-2017 Grade 1	ANSI/BHMA A156.13-2017 Series 1000, Grade 1 Operational and Security With FSIC cylinders: Grade 2 Security With SFIC cylinders: Grade 3 Security ASTM F476-76 Grade 40
ICC	Complies with ICC A117.1 Accessible and Usable Buildings and Facilities	
UL/cUL	UL10C and CAN/ULC-S104 3-hour Fire Listed	UL 10C and CAN/ULC-S104 3-hour Fire Listed (except L9076 and L9077)

1. Lock mechanisms only. Lock and trim combination has been tested to Grade 1 but not certified.

Ordering instructions

HSLR Series example

Product	Trim	Finish	Handing
L9080P or ND50PD	HSLR	630	LH

Lock specifications

Product	Product series + function + cylinder
Trim	HSLR
Finish	630 only
Handing	Hand of door, must be specified

Finishes



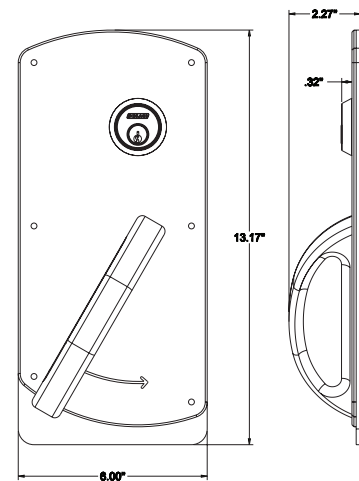
630
Satin stainless steel

About Allegion

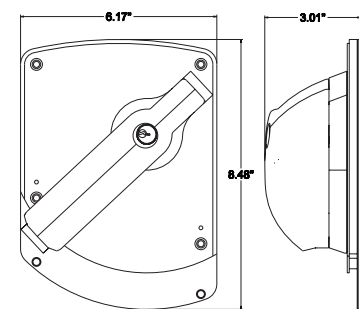
Allegion (NYSE: ALLE) is a global pioneer in safety and security, with leading brands like CISA®, Interflex®, LCN®, Schlage®, SimonsVoss® and Von Duprin®. Focusing on security around the door and adjacent areas, Allegion produces a range of solutions for homes, businesses, schools and other institutions. Allegion is a \$2 billion company, with products sold in almost 130 countries. For more, visit www.allegion.com.

KRYPTONITE ■ LCN ■  ■ STEELCRAFT ■ VON DUPRIN

HSLR mortise trim



HSLR cylindrical trim



Other Allegion ligature resistant solutions

Schlage SL1/SK1 mortise locks

- For low-medium risk applications
- Lever and knob styles with recessed trim and sloped surfaces

Ives® hospital tip door hinges

- Ligature resistant sloped tip
- Available on architectural hinges and pin and barrel continuous hinges

Zero International ligature resistant gasketing

- Patented design allows normal function, but will break into pieces if removed for any reasons



© 2019 Allegion
013143, Rev. 04/19
www.allegion.com/us