



2720 Tobey Drive, Indianapolis, IN 46219  
Tel 1-877-671-7011 ■ Fax 800-851-0000  
Zero.Customer.Support@allegion.com  
[www.zerointernational.com](http://www.zerointernational.com)

Part No:

253

Part description:

Door shoe

Notes:

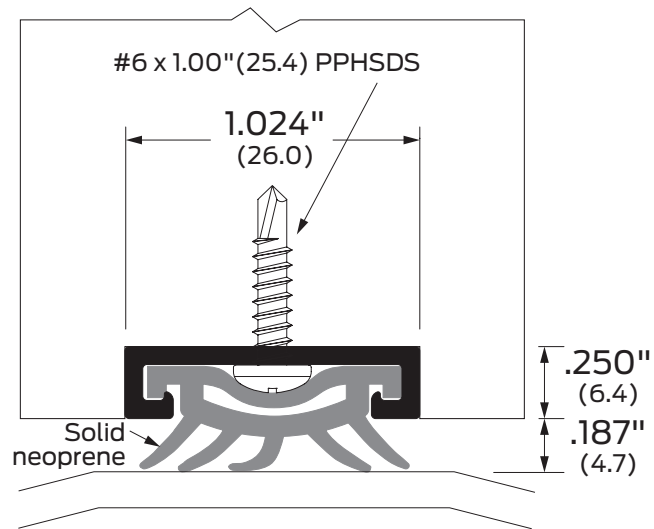
Provided by:

Customer name:

Job no:

Date:

Image may not be shown to scale



Notes:

Supplied unassembled for ease of installation.

Certifications:

Fire rated-UL10c

ANSI/BHMA:

253A

R3B424

Finishes:

**A** Aluminum mill finish

