



2720 Tobey Drive, Indianapolis, IN 46219  
 Tel 1-877-671-7011 ■ Fax 800-851-0000  
 Zero.Customer.Support@allegion.com  
 www.zerointernational.com

Part No:

323

Part description:

Automatic door bottom  
 Regular duty

Notes:

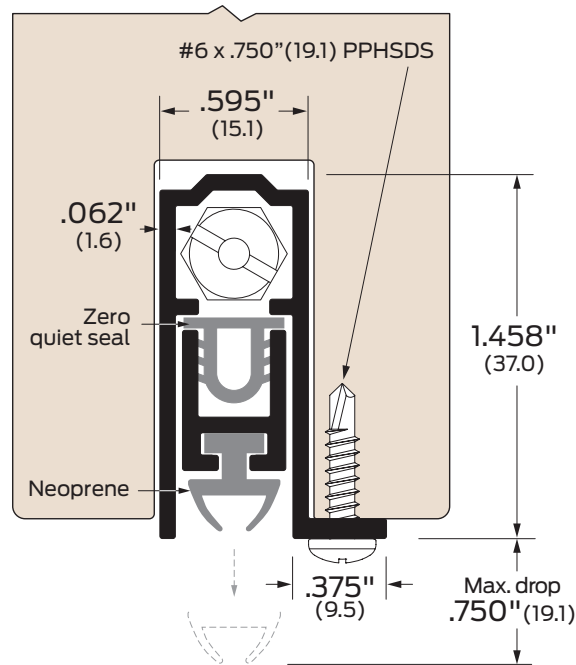
Provided by:

Customer name:

Job no:

Date:

Image may not be shown to scale



Notes:

Mortised. Supplied with two handing holes that allow changing handing without changing mounting orientation.  
 Lengths 60-96" available as engineering specials.

Certifications:

Fire rated-UL10c

ANSI/BHMA:

323A

R3B3241

Finishes:

**AA** Aluminum clear anodized

Options:

- LS** Light spring
- PL** Pull out
- NH** No holes

