



2720 Tobey Drive, Indianapolis, IN 46219  
 Tel 1-877-671-7011 ■ Fax 800-851-0000  
 Zero.Customer.Support@allegion.com  
 www.zerointernational.com

Part No:

360

Part description:

Automatic door bottom  
 Heavy duty

Notes:

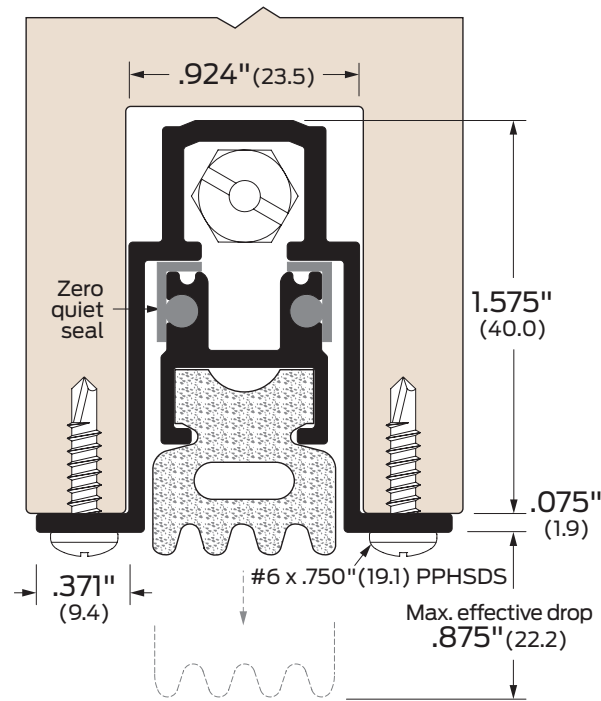
Provided by:

Customer name:

Job no:

Date:

Image may not be shown to scale



Notes:

Mortised. Supplied with closed cell sponge neoprene.  
 Consult your local AHJ for maximum allowable door undercut.

Certifications:

Fire rated-UL10c

ANSI/BHMA:

360AA

R3C3241

Finishes:

**AA** Aluminum clear anodized

Options:

- LS** Light spring
- Z49** Removable end cap
- PL** Pull out
- NH** No holes

