



2720 Tobey Drive, Indianapolis, IN 46219  
 Tel 1-877-671-7011 ■ Fax 800-851-0000  
 Zero.Customer.Support@allegion.com  
 www.zerointernational.com

Part No:

712

Part description:

Adjustable sealing system  
 jamb applied

Notes:

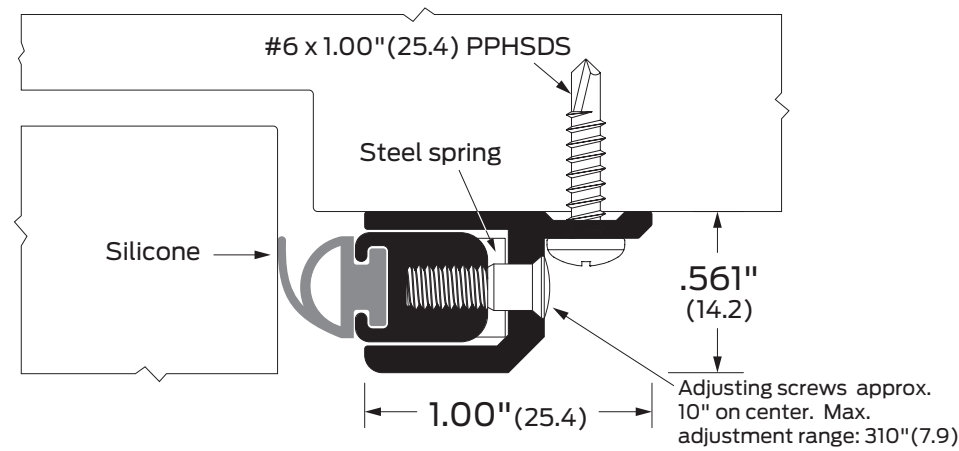
Provided by:

Customer name:

Job no:

Date:

Image may not be shown to scale



Notes:

Adjustable and spring loaded. Extruded Bulb/Finger for double-sealing protection.

Certifications:

- Fire rated-UL10c
- Smoke and draft control

ANSI/BHMA:

712AA, 712BK, 712D, 712G

R3E264

Finishes:

- AA** Aluminum clear anodized
- BK** Aluminum black anodized
- D** Aluminum dark bronze anodized
- G** Aluminum gold anodized

Options:

- S** Order as a set
- SEC** Security screws

