



2720 Tobey Drive, Indianapolis, IN 46219
Tel 1-877-671-7011 ■ Fax 800-851-0000
Zero.Customer.Support@allegion.com
www.zerointernational.com

Part No:

8052N

Part description:

Kerf frame weatherstripping

Notes:

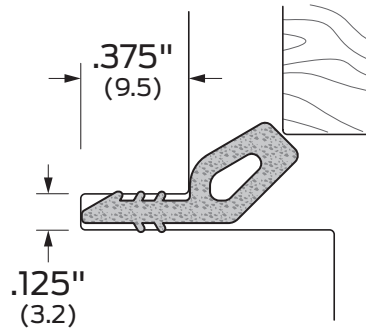
Provided by:

Customer name:

Job no:

Date:


Image may not be shown to scale



Notes:

Closed cell sponge neoprene rubber.

Certifications:

 Fire rated-UL10c

ANSI/BHMA:

8052N

ROC186

Finishes:

BK Black

