



2720 Tobey Drive, Indianapolis, IN 46219  
Tel 1-877-671-7011 ■ Fax 800-851-0000  
Zero.Customer.Support@allegion.com  
[www.zerointernational.com](http://www.zerointernational.com)

Part No:

8053Q

Part description:

Kerf frame weatherstripping

Notes:

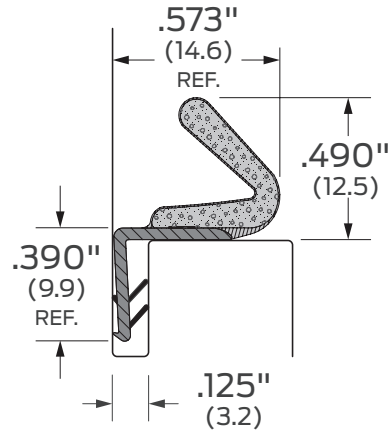
Provided by:

Customer name:

Job no:

Date:

Image may not be shown to scale



Notes:

Vinyl-covered foam.

ANSI/BHMA:

8053Q

ROY186

Finishes:

**BR** Brown

**WH** White

