



2720 Tobey Drive, Indianapolis, IN 46219
Tel 1-877-671-7011 ■ Fax 800-851-0000
Zero.Customer.Support@allegion.com
www.zerointernational.com

Part No:

8195

Part description:

Meeting stile

Notes:

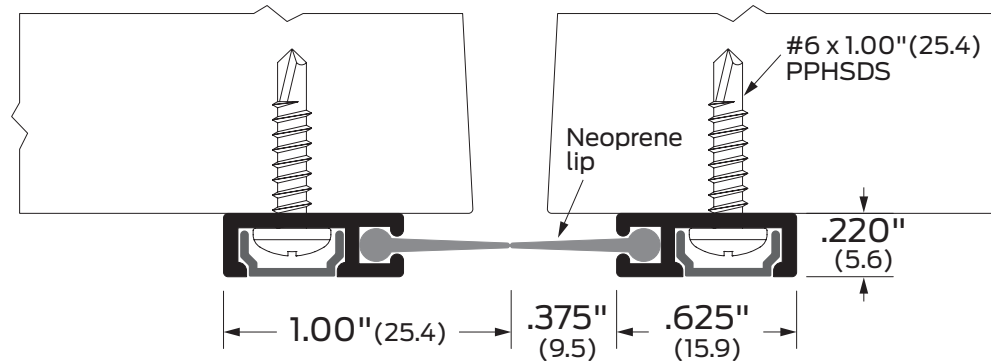
Provided by:

Customer name:


Job no:

Date:

Image may not be shown to scale



Certifications:

 Fire rated-UL10c

ANSI/BHMA:

8195AA, 8195BK, 8195D, 8195G

R3B734

Finishes:

- AA** Aluminum clear anodized
- BK** Aluminum black anodized
- D** Aluminum dark bronze anodized
- G** Aluminum gold anodized

Options:

- PSA** Pressure-sensitive adhesive
- SEC** Security screws

