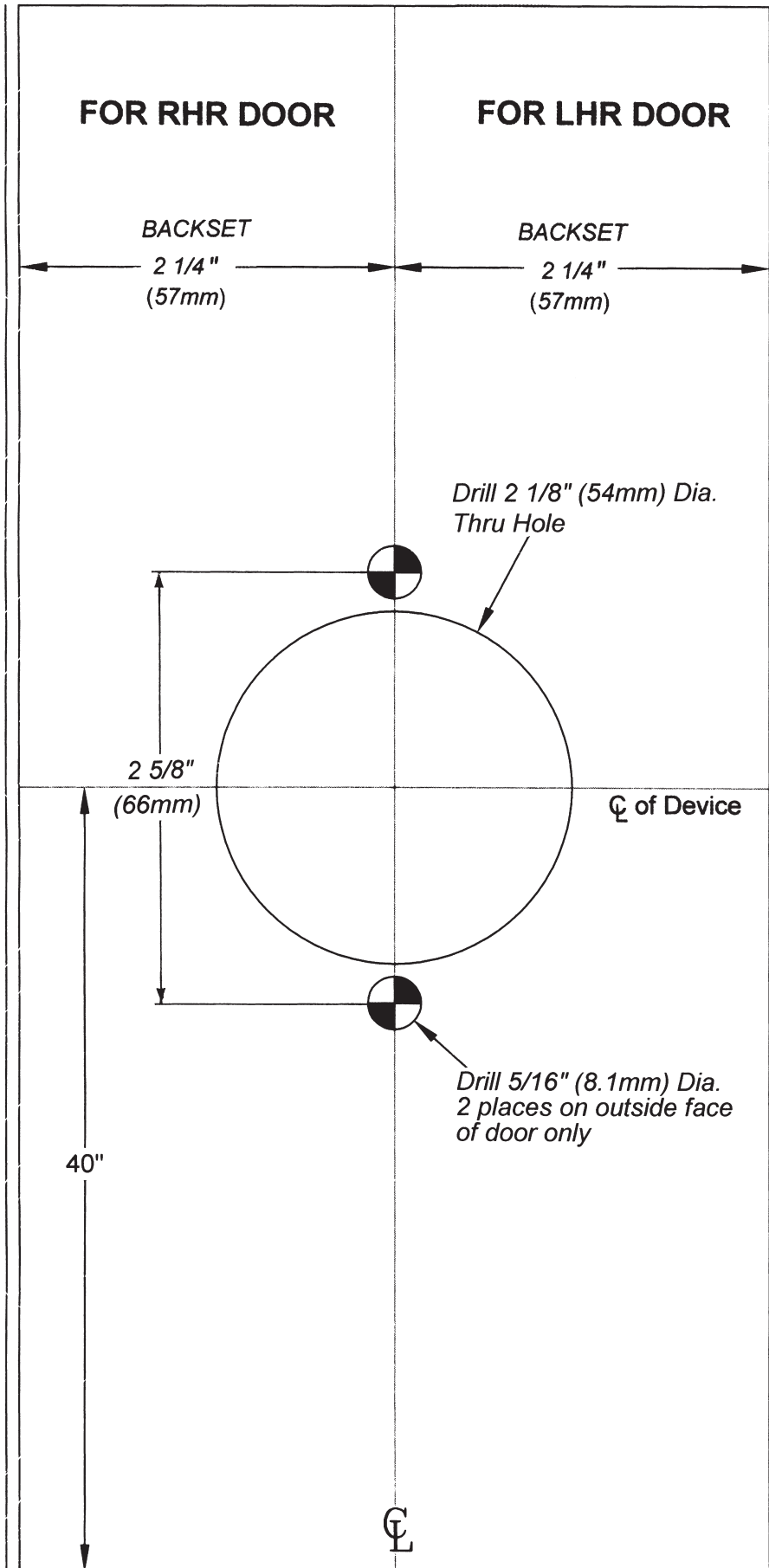


TEMPLATE

FOR ROUND ROSE LEVER / KNOB TRIM

- Use for Economy Exit Device only



Finished Floor

NOTE:

1. For single door & double doors with mullion applications, the backset 2 - 1/4" (57mm) is to *face of stop*.
2. For double doors without mullion applications, the backset 2 - 1/4" (57mm) is to *edge of door*.