

**LHR SHOWN
RHR OPPOSITE**

INSTALLATION INSTRUCTIONS

1. PREPARE INSIDE FACE OF DOOR FOR DEVICE.
 - A. SEE DEVICE DIRECTIONS FOR LOCATIONS OF VERT. AND DEVICE REF. CENTERLINES.
2. PREPARE OUTSIDE FACE OF DOOR FOR TRIM.
 - A. TRANSFER VERT. AND DEVICE REF. CENTERLINES FROM INSIDE FACE TO OUTSIDE FACE OF DOOR. BE SURE VERT. CENTERLINE IS PARALLEL TO EDGE OF DOOR.
 - B. LOCATE AND PREPARE ALL HOLES AS INDICATED.
3. INSTALL TRIM ON DOOR AND CUT THUMBPIECE TO SIZE.
 - A. TRIM MOUNTING.
 - BOTTOM STUD: 1/4"-20x3/4" FPHMS FINISH WASHER
 - TOP FOUR STUDS: ARE THRU-BOLTED TO DEVICE WHEN DEVICE IS INSTALLED.
 - B. CUT THUMBPIECE.
 - RIM & VERTICAL: THUMBPIECE TO EXTEND 5/8"-3/4" BEYOND DOOR SKIN.
 - MORTISE: THUMBPIECE TO BE INSIDE DOOR SKIN BY 1/4".
4. ASSEMBLE CYLINDER (IF REQUIRED).
 - A. IF USING MORTISE CYLINDER, INSTALL CYLINDER TO MORTISE LOCK.
 - B. IF USING RIM CYLINDER, CUT TAILPIECE TO EXTEND 3/8" BEYOND INSIDE FACE OF DOOR.
5. INSTALL DEVICE ON DOOR PER DEVICE INSTRUCTIONS.

DEVICE	"A"	"B"	DEVICE	"A"	"B"
(F)XX-R-TP	OMIT	1-1/4"	(F)18-R-TP (BE)	OMIT	OMIT
(F)XX-R-TP (BE)	OMIT	OMIT	(F)18-R-TP (NL)	OMIT	1-1/4"
(F)XX-R-TP (NL)	OMIT	1-1/4"	(F)18-M-TP	1-1/4"	OMIT
(F)XX-M-TP	1-1/4"	OMIT	(F)18-M-TP (BE)	OMIT	OMIT
(F)XX-M-TP (BE)	OMIT	OMIT	(F)18-M-TP (NL)	1-1/4"	OMIT
(F)XX-M-TP (NL)	1-1/4"	OMIT	(F)18-V-TP	1-1/4"	OMIT
(F)XX-V-TP	1-1/4"	OMIT	(F)18-V-TP (BE)	OMIT	OMIT
(F)XX-V-TP (BE)	OMIT	OMIT	(F)18-V-TP (NL)	1-1/4"	OMIT
(F)XX-V-TP (NL)		1-1/4"			
(F)18-R-TP	OMIT	1-1/4"			



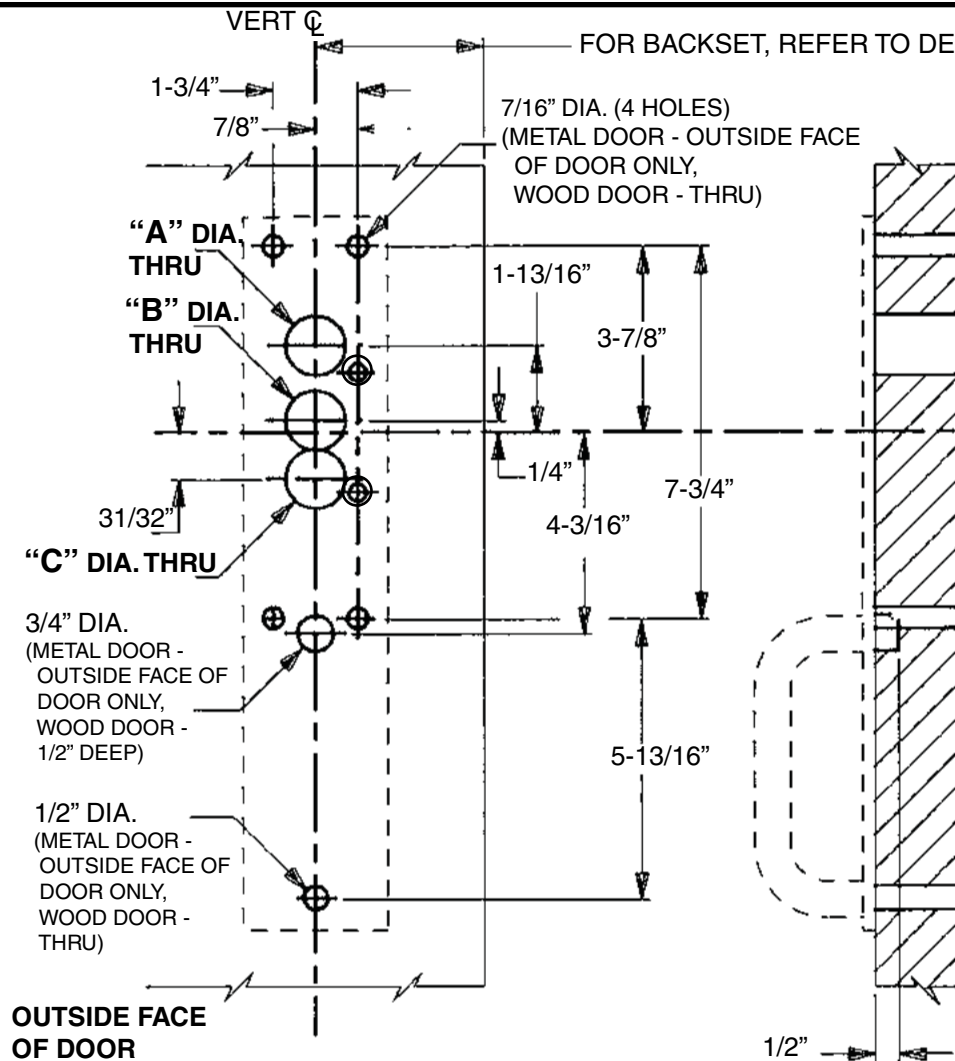
© Allegion 2015
Printed in U.S.A.
D-2050/2051 Rev. 05/15-a

FALCON[®]

TITLE:
**810TP, 810TP-BE, 810TP-NL
FOR (F)18 & (F)XX SERIES DEVICES**

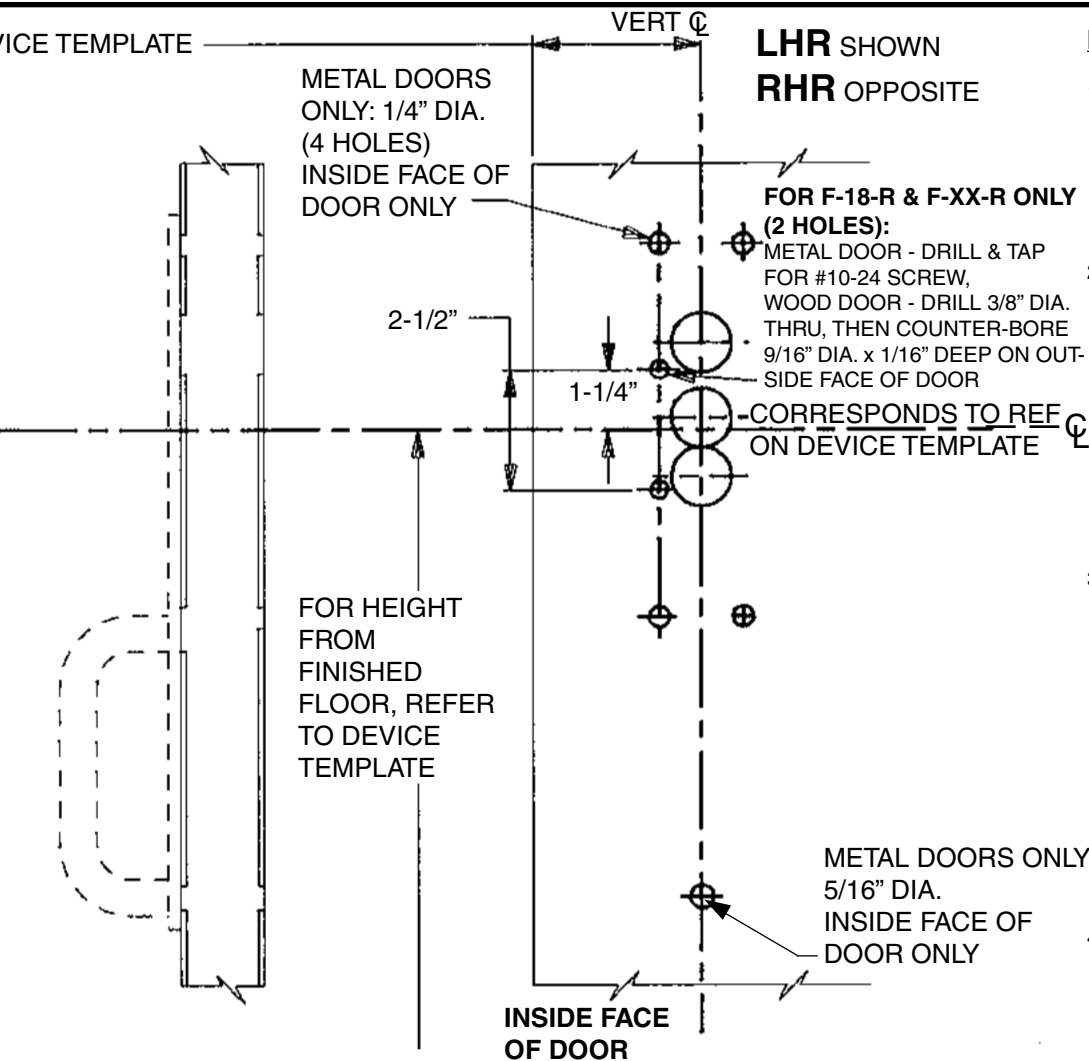


D-2050/2051



OUTSIDE FACE OF DOOR

DEVICE	"A"	"B"	"C"	DEVICE	"A"	"B"	"C"
(F)XX-R-EO	OMIT	OMIT	OMIT	(F)18-R-N	OMIT	OMIT	OMIT
(F)XX-R-DT	OMIT	OMIT	OMIT	(F)18-R-DT	OMIT	OMIT	OMIT
(F)XX-R-NL	1-1/4"	OMIT	OMIT	(F)18-R-NL	1-1/4"	OMIT	OMIT
(F)XX-M-EO	OMIT	OMIT	OMIT	(F)18-M-N	OMIT	OMIT	OMIT
(F)XX-M-DT	OMIT	OMIT	OMIT	(F)18-M-DT	OMIT	OMIT	OMIT
(F)XX-M-NL	1-1/4"	OMIT	OMIT	(F)18-M-NL	1-1/4"	OMIT	OMIT
(F)XX-V-EO	OMIT	OMIT	OMIT	(F)18-V-N	OMIT	OMIT	OMIT
(F)XX-V-DT	OMIT	OMIT	OMIT	(F)18-V-DT	OMIT	OMIT	OMIT
(F)XX-V-NL	OMIT	OMIT	1-1/4"	(F)18-V-NL	OMIT	1-1/4"	OMIT
(F)XX-TPL-EO	OMIT	OMIT	OMIT	(F)18-TPL-N	OMIT	OMIT	OMIT
(F)XX-TPL-DT	OMIT	OMIT	OMIT	(F)18-TPL-DT	OMIT	OMIT	OMIT



INSIDE FACE OF DOOR

**LHR SHOWN
RHR OPPOSITE**

INSTALLATION INSTRUCTIONS

- PREPARE INSIDE FACE OF DOOR FOR DEVICE.
 - SEE DEVICE DIRECTIONS FOR LOCATIONS OF VERT. AND DEVICE REF. CENTERLINES.
- PREPARE OUTSIDE FACE OF DOOR FOR TRIM.
 - TRANSFER VERT. AND DEVICE REF. CENTERLINES FROM INSIDE FACE TO OUTSIDE FACE OF DOOR. BE SURE VERT. CENTERLINE IS PARALLEL TO EDGE OF DOOR.
 - LOCATE AND PREPARE ALL HOLES AS INDICATED.
- INSTALL TRIM ON DOOR.
 - BOTTOM STUD:**
1/4"-20x3/4" FPHMS FINISH WASHER
 - TOP FOUR STUDS:**
ARE THRU-BOLTED TO DEVICE WHEN DEVICE IS INSTALLED.

NOTE: FOR F-18-R & F-XX-R DEVICES, INSERT SEXBOLTS INTO TWO HOLES PRIOR TO INSTALLING TRIM.
- INSTALL CYLINDER (IF REQUIRED).
 - IF USING MORTISE CYLINDER, INSTALL CYLINDER INTO MORTISE LOCK.
 - IF USING RIM CYLINDER, INSTALL CYLINDER TO TRIM. THEN CUT TAILPIECE TO EXTEND 3/8" BEYOND INSIDE FACE OF DOOR.
- INSTALL DEVICE ON DOOR PER DEVICE INSTRUCTIONS.

<h1>FALCON®</h1>	TITLE: 810-EO, 810-DT, & 810-NL TRIMS FOR (F)18 & (F)XX SERIES DEVICES
------------------	----------------------------------------------------------------------------------------------