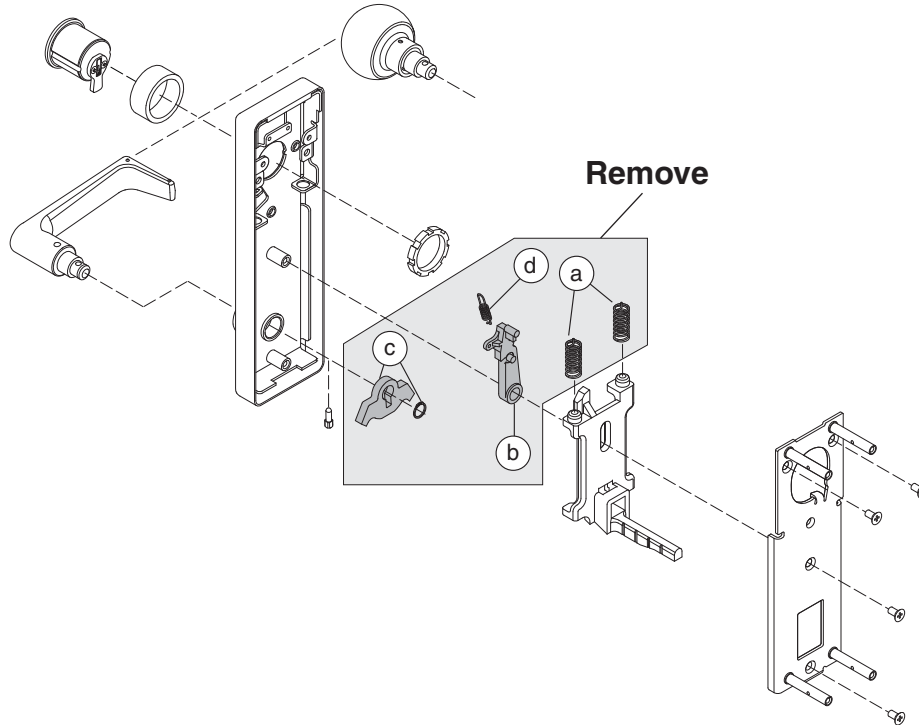


510L to 510L-NL Trim Conversion

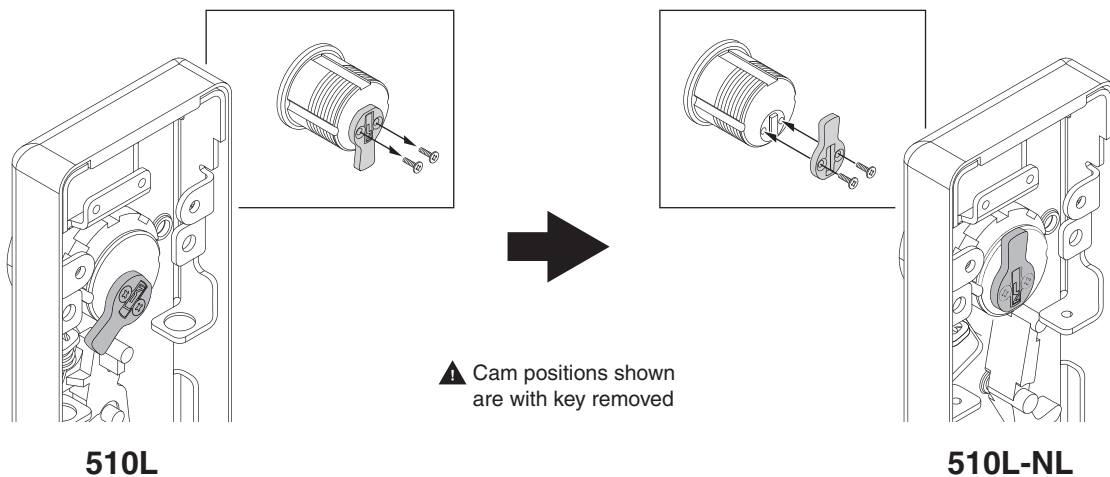
FALCON[®]

Installation Instructions

- 1** Disassemble 510L trim and remove parts a, b, c, and d.



- 2** Make sure cylinder cam is reverted back to an upright position.



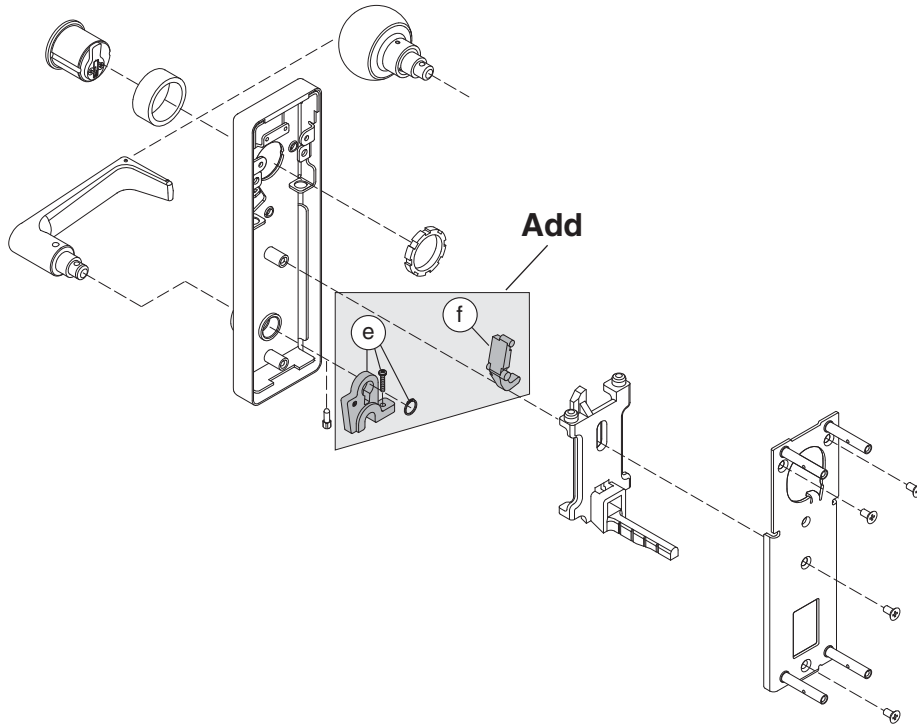
Customer Service Servicio al cliente Service à la clientèle

1-877-671-7011

www.allegion.com/us

© Allegion 2015
Printed in U.S.A.
110924 Rev. 07/15-a

3 Add parts e and f and reassemble to convert 510L to 510NL.



No.	Qty.	Description	Package contents
e	1	Dummy Spindle Cam Kit	1- Spindle Cam Dummy 1- Spindle Cam Retaining Ring 1- #10-24 x 3/4" PPHMS
f	1	NL Cam Pkg.	NL Cam