

## INSTALLATION INSTRUCTIONS

- Prepare inside face of lock stile for device.
  - See device directions for holes, correct backset, and location of vertical and device reference centerline.
- Prepare outside face of lock stile for trim.
  - Transfer vertical and device reference centerline from inside face to outside face of door. Be sure vertical centerline is parallel to edge of door.
  - Locate and prepare all holes as indicated.
- Apply trim.
  - Install cylinder and anchor to trim plate if required (See Figure 1)
  - Cut cylinder tail piece 1/8" to 3/16" projection with inside face of door
  - Assemble pull grip (when used) to trim plate for correct handing
  - Insert sexbolt(s) and apply trim to door
- Apply device.
 

CYLINDER ANCHOR

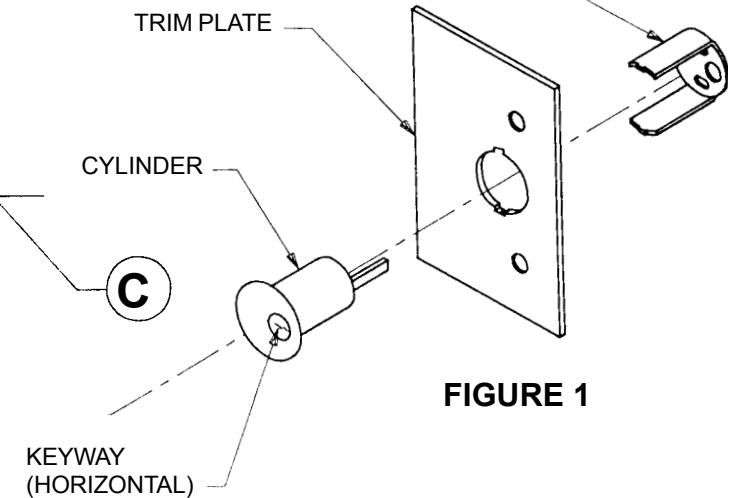
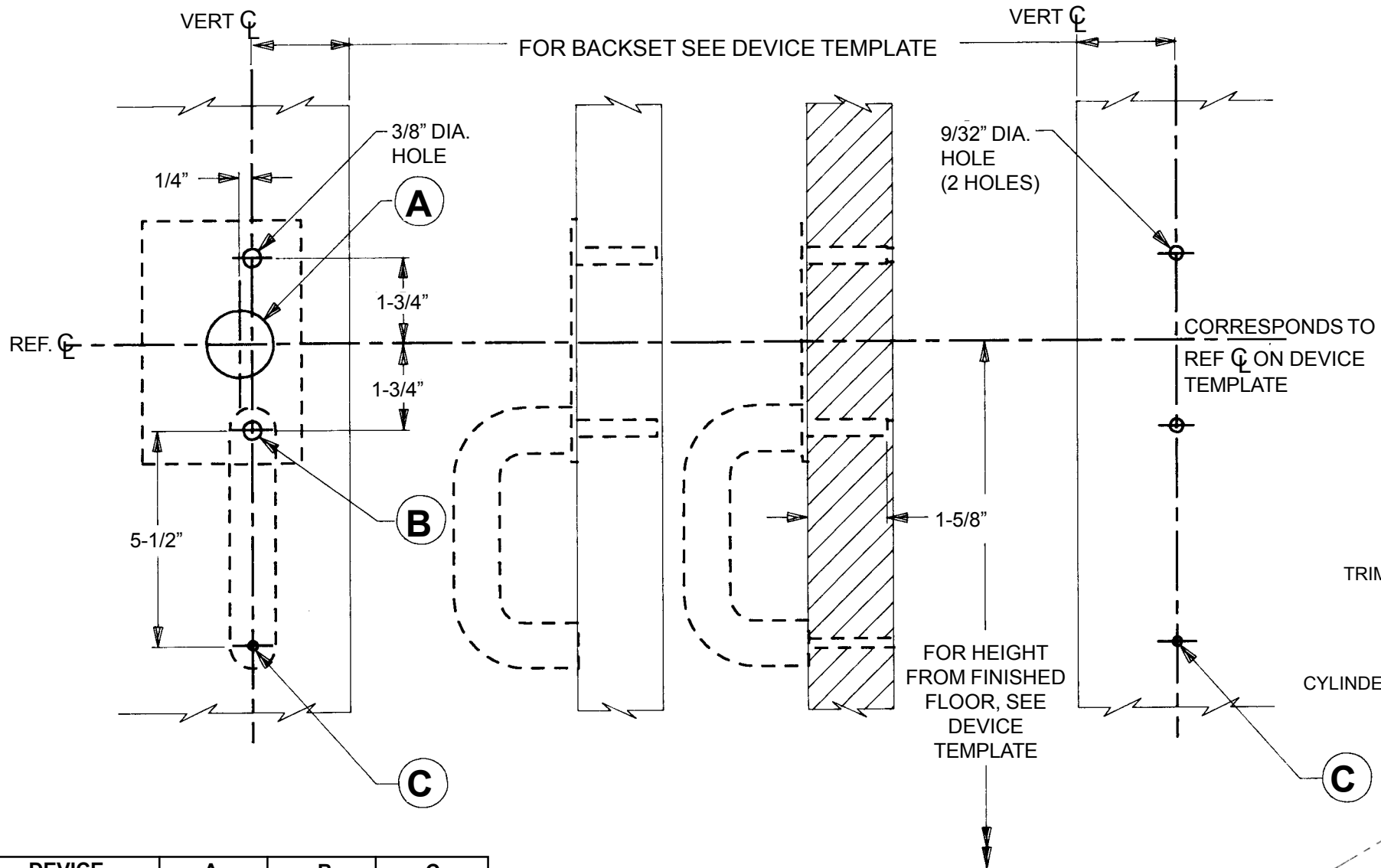


FIGURE 1

DEVICE	A	B	C
(F)19-R-EO	OMIT	3/8"φ	OMIT
(F)19-R-DT	OMIT	7/16"φ	5/16"φ
(F)19-R-C	1-3/8"φ	3/8"φ	OMIT
(F)19-R-P(NL)	1-3/8"φ	7/16"φ	5/16"φ
(F)19-V-EO	OMIT	3/8"φ	OMIT
(F)19-V-DT	OMIT	7/16"φ	5/16"φ
(F)19-V-C	1-3/8"φ	3/8"φ	OMIT
(F)19-V-P(NL)	1-3/8"φ	7/16"φ	5/16"φ



ALLEGION  
© Allegion 2015  
Printed in U.S.A.  
D-2124 Rev. 05/15-b

Corresponds to T-2124

# FALCON®

TITLE: **CENTRON TRIM  
FOR 19 SERIES  
WIDE STILE DEVICES**

DATE: 5-29-15

**D-2124-B**