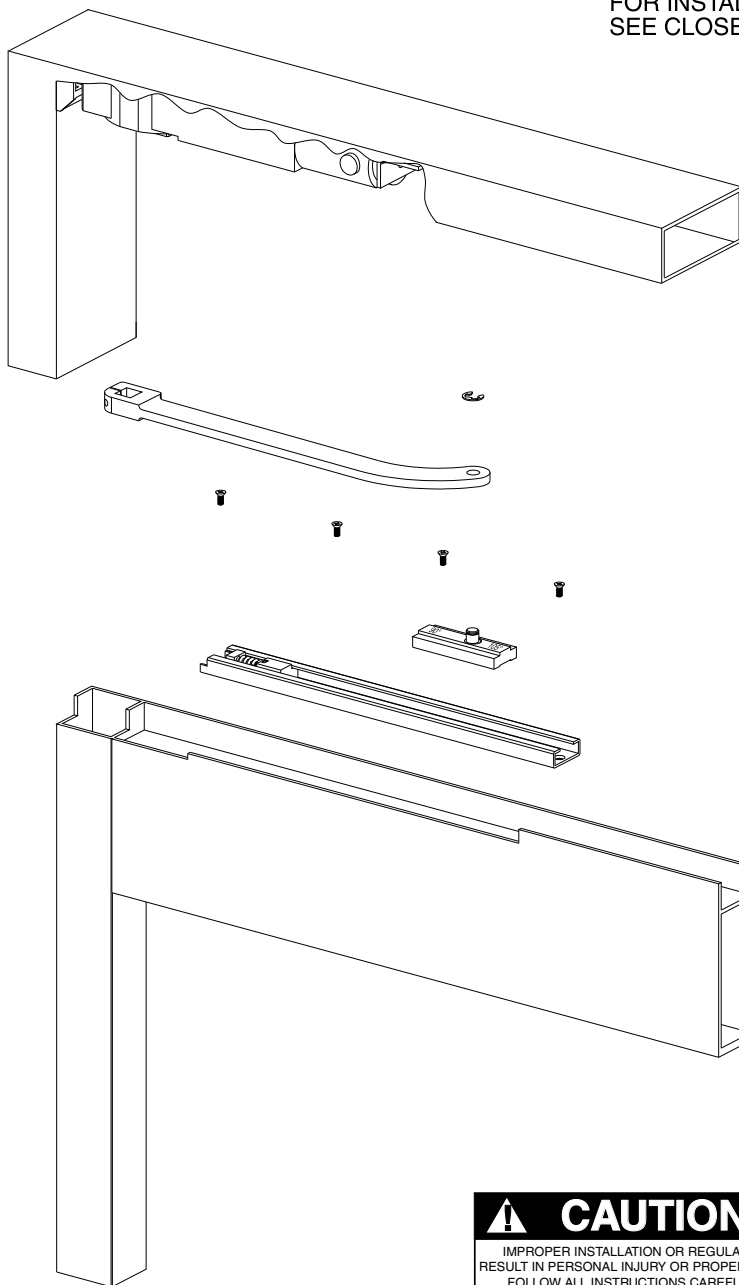


OHC 100 SERIES

OFFSET SLIDE ARM INSTALLATION INSTRUCTIONS

FOR OFFSET PIVOT OR BUTT HINGED DOORS FOR 7/8" DEPTH TOP RAIL

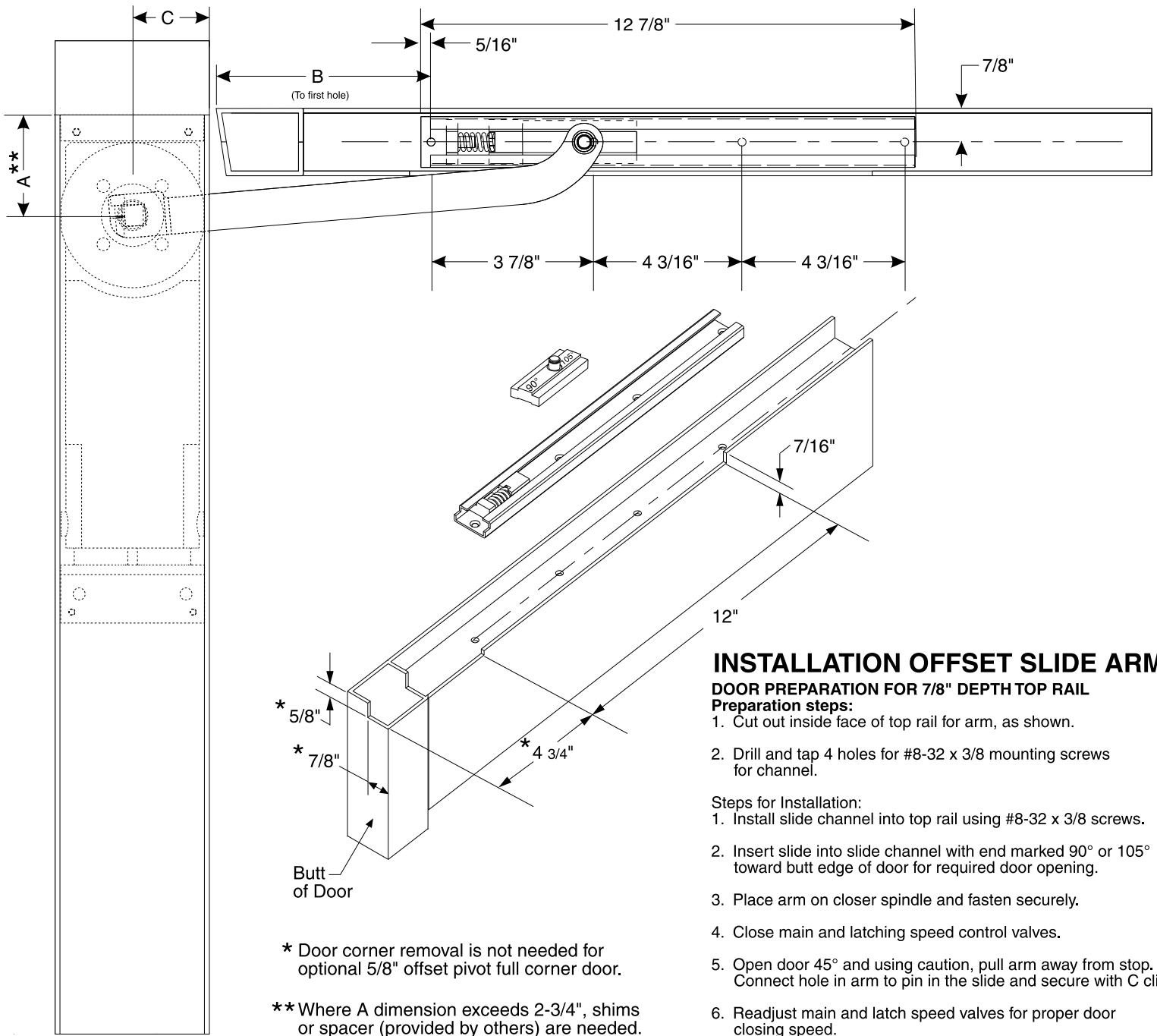
NOTE:
FOR INSTALLATION OF CLOSER
SEE CLOSER INSTRUCTION SHEETS.



CAUTION
IMPROPER INSTALLATION OR REGULATION MAY
RESULT IN PERSONAL INJURY OR PROPERTY DAMAGE.
FOLLOW ALL INSTRUCTIONS CAREFULLY. FOR
QUESTIONS, CALL FALCON AT 1-877-671-7011

Customer Service Servicio al cliente Service à la clientèle
1-877-671-7011 www.allegion.com/us

TO DETERMINE HOW THE DOOR IS HUNG AND DOOR OPENING USE APPLICATION CHARTS.



NOMINAL OPENING	3/4" OFFSET PIVOT FLUSH DOOR		
	A**	B	C
105°	3 3/4"	5 5/8"	2"
90°	3"	5 5/8"	2"

NOMINAL OPENING	5/8" OFFSET PIVOT 1/8 RECESSED DOOR		
	A**	B	C
105°	3 3/4"	5 21/32"	2"
90°	3"	5 11/16"	2"

Note: For mounting other than those listed in charts, contact FALCON at 1-800-815-1517.

NOMINAL OPENING	7/16" BUTT HINGES FLUSH DOOR		
	A	B	C
105°	2 3/4"	5 5/32"	2"
90°	2 3/4"	5 5/16"	2"

NOMINAL OPENING	7/16" BUTT HINGES 1/8 RECESSED DOOR		
	A	B	C
105°	2 3/4"	5 5/32"	2"
90°	2 3/4"	5 1/4"	2"

(OPTION FOR FULL CORNER DOOR)

NOMINAL OPENING	5/8" OFFSET PIVOT 1/8 RECESSED DOOR		
	A**	B	C
105°	4 1/2"	6 3/8"	2 1/8"
90°	3 3/4"	5 11/16"	2 1/8"