




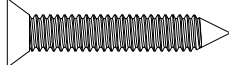
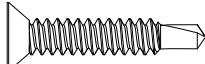
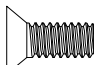
44424

SC80A Series

FALCON®

Installation Instructions

ALL PLATES

FASTENERS		DOOR / FRAME	DRILL SIZES
PLATE	 1/4-20 machine	METAL	Drill: #7 Tap: 1/4-20
	 #14 wood	WOOD	1/8"
	 self-reaming, & tapping (SRT)	METAL	1/8"
CLOSER BODY	 1/4-20 machine	PLATE	N/A

CAUTION

Improper installation or regulation may result in personal injury or property damage. Follow all instructions carefully. For questions, call Falcon at: 1-877-671-7011

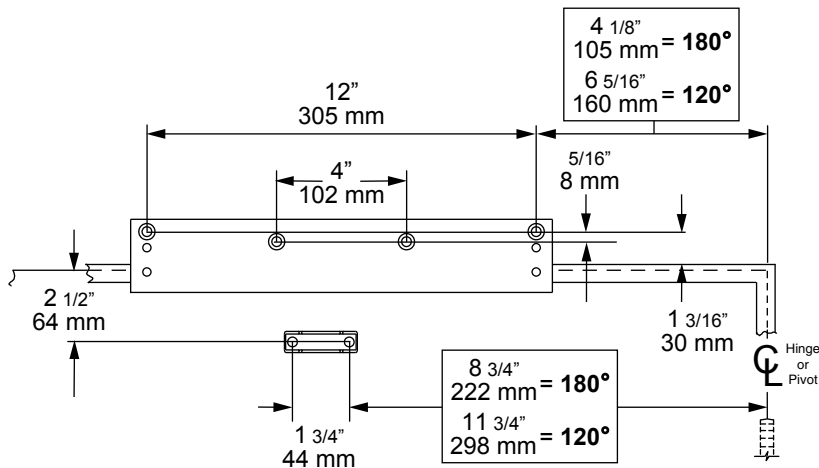
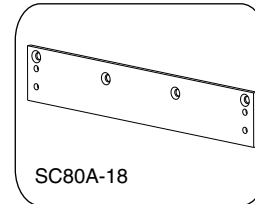
ADVERTENCIA

Una instalación o un ajuste incorrectos pueden resultar en daño personal o material. Siga bien todas las instrucciones. Para más informaciones, llama a Falcon al: 1-877-671-7011

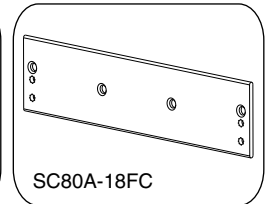
DANGER

Une installation ou un réglage inadéquats peuvent entraîner des blessures ou des dommages. Veuillez suivre toutes les instructions avec soin. Pour plus de renseignements, composez le: 1-877-671-7011

SC80A Regular Arm (TOP JAMB) DROP PLATE: PERMITS 180° MAXIMUM OPENING

PUSH SIDE MOUNT ON:
SC80A-18 DROP PLATE

SC80A-18

PUSH SIDE MOUNT ON:
SC80A-18FC DROP PLATE

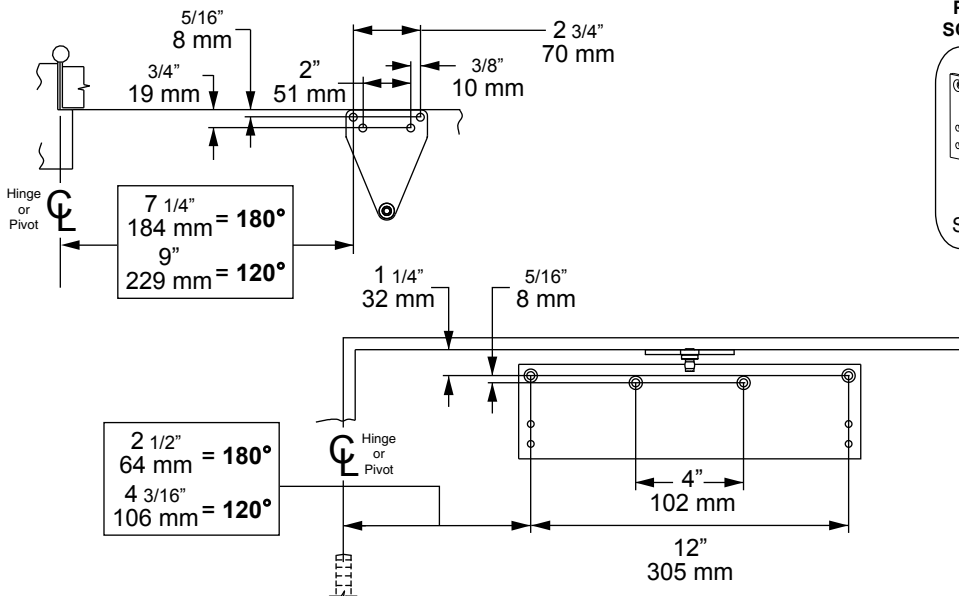
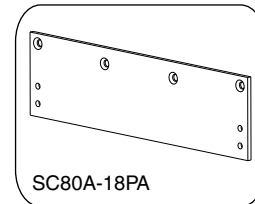
SC80A-18FC

General Notes:

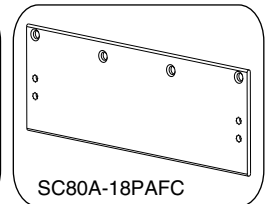
1. Use Standard instruction sheet for installation sequence and closer adjustments.
2. Backcheck faces away from the hinge edge.
3. Use shorter machine screws to attach cylinder to drop plate.

RIGHT HAND DOOR ILLUSTRATED. Same dimensions apply for Left Hand Door measured from hinge side.

SC80A Regular Arm (PARALLEL ARM DOOR MOUNT) DROP PLATE: PERMITS 180° MAXIMUM OPENING, BUTT SIZE 5X5 MAXIMUM

PUSH SIDE MOUNT ON:
SC80A-18PA DROP PLATE

SC80A-18PA

PUSH SIDE MOUNT ON:
SC80A-18PAFC DROP PLATE

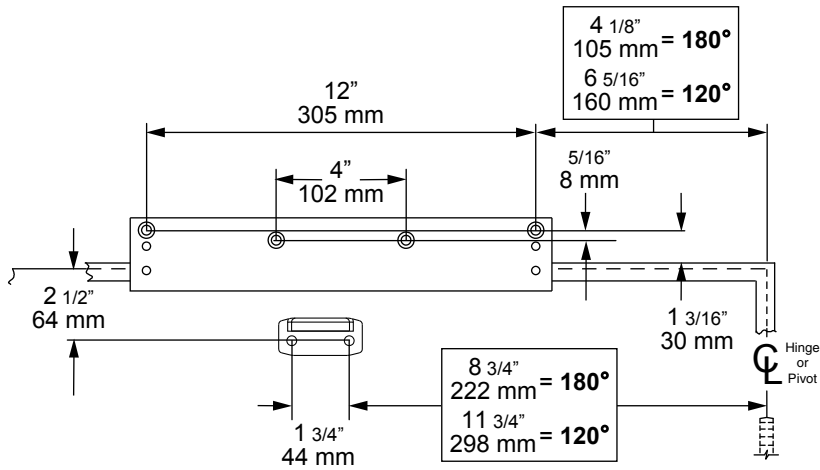
SC80A-18PAFC

General Notes:

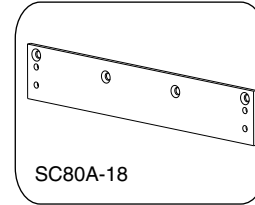
1. Use Standard instruction sheet for installation sequence and closer adjustments.
2. Backcheck faces toward the hinge edge.
3. Use shorter machine screws to attach cylinder to drop plate.

LEFT HAND DOOR ILLUSTRATED. Same dimensions apply for Right Hand Door measured from hinge side.

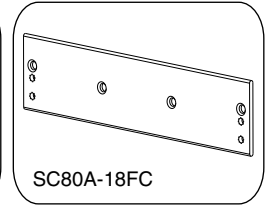
SC80A Hold-Open Arm (TOP JAMB) DROP PLATE: PERMITS 180° MAXIMUM OPENING



PUSH SIDE MOUNT ON:
SC80A-18 DROP PLATE



PUSH SIDE MOUNT ON:
SC80A-18FC DROP PLATE



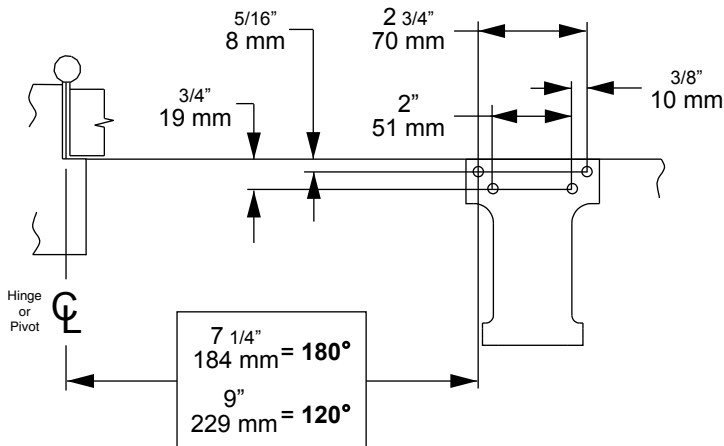
General Notes:

1. Use Standard instruction sheet for installation sequence and closer adjustments.
2. Backcheck faces away from the hinge edge.
3. Use shorter machine screws to attach cylinder to drop plate.

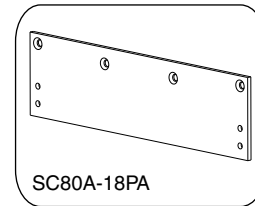
RIGHT HAND DOOR ILLUSTRATED. Same dimensions apply for Left Hand Door measured from hinge side.

SEE FIRST PAGE FOR FASTENERS & CAUTION

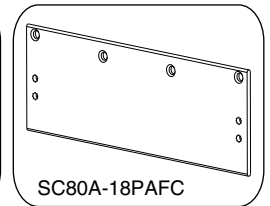
SC80A Hold-Open Arm (PARALLEL ARM DOOR MOUNT) DROP PLATE: PERMITS 180° MAXIMUM OPENING, BUTT SIZE 5X5 MAXIMUM



PUSH SIDE MOUNT ON:
SC80A-18PA DROP PLATE



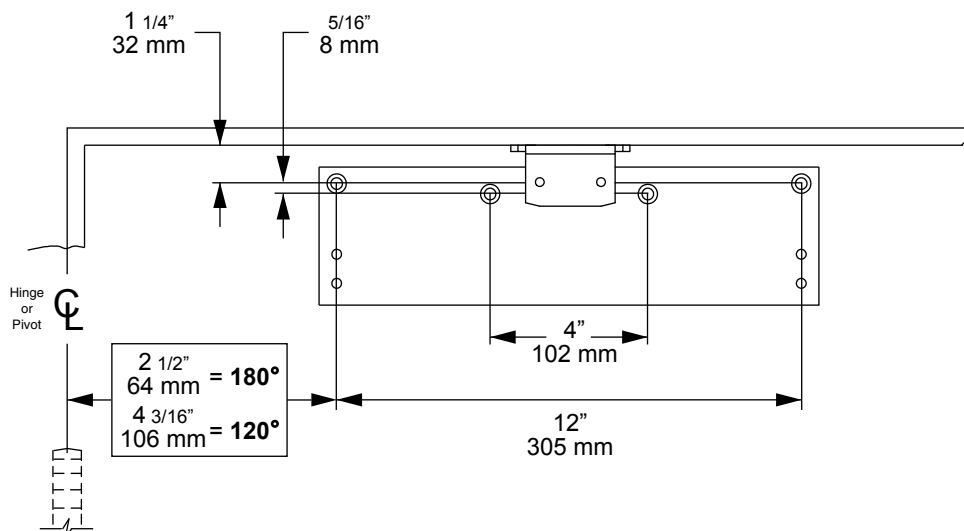
PUSH SIDE MOUNT ON:
SC80A-18PAFC DROP PLATE



General Notes:

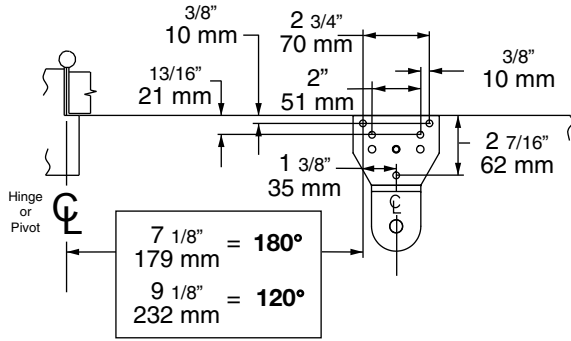
1. Use Standard instruction sheet for installation sequence and closer adjustments.
2. Backcheck faces toward the hinge edge.
3. Use shorter machine screws to attach cylinder to drop plate.

LEFT HAND DOOR ILLUSTRATED. Same dimensions apply for Right Hand Door measured from hinge side.



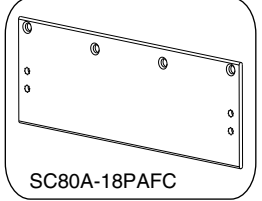
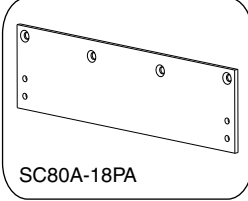
SEE FIRST PAGE FOR FASTENERS & CAUTION

SC80A Heavy Duty Arm (PARALLEL ARM DOOR MOUNT) DROP PLATE: PERMITS 180° MAXIMUM OPENING, BUTT SIZE 5X5 MAXIMUM



PUSH SIDE MOUNT ON:
SC80A-18PA DROP PLATE

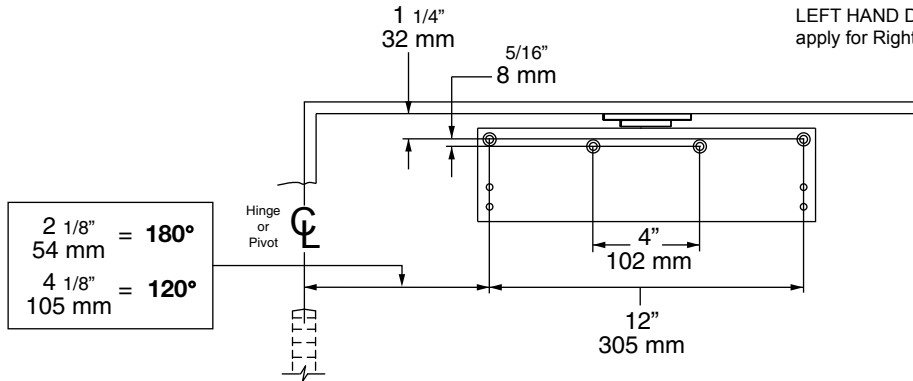
PUSH SIDE MOUNT ON:
SC80A-18PAFC DROP PLATE



General Notes:

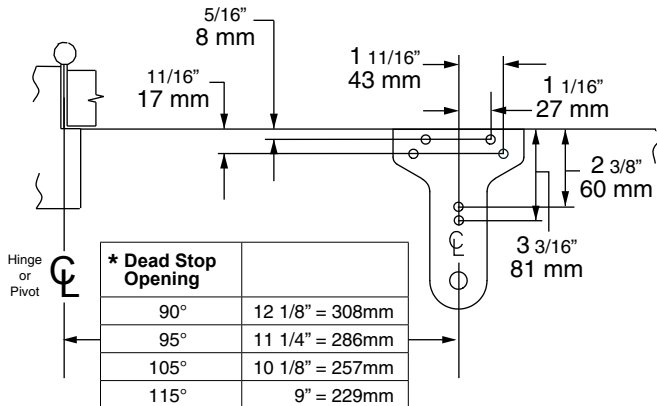
1. Use Heavy Duty instruction sheet for installation sequence and closer adjustments.
2. Backcheck faces toward the hinge edge.
3. Use shorter machine screws to attach cylinder to drop plate.

LEFT HAND DOOR ILLUSTRATED. Same dimensions apply for Right Hand Door measured from hinge side.



SEE FIRST PAGE FOR FASTENERS & CAUTION

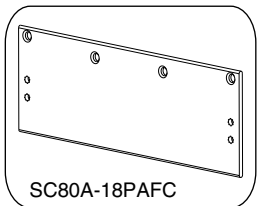
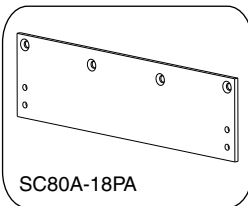
SC80A Spring-N-Stop (or w/ SNS Hold-Open) Arm (PARALLEL ARM DOOR MOUNT) DROP PLATE: PERMITS 115° MAXIMUM OPENING, BUTT SIZE 5x5 MAXIMUM



* Dead Stop Opening	
90°	12 1/8" = 308mm
95°	11 1/4" = 286mm
105°	10 1/8" = 257mm
115°	9" = 229mm

PUSH SIDE MOUNT ON:
SC80A-18PA DROP PLATE

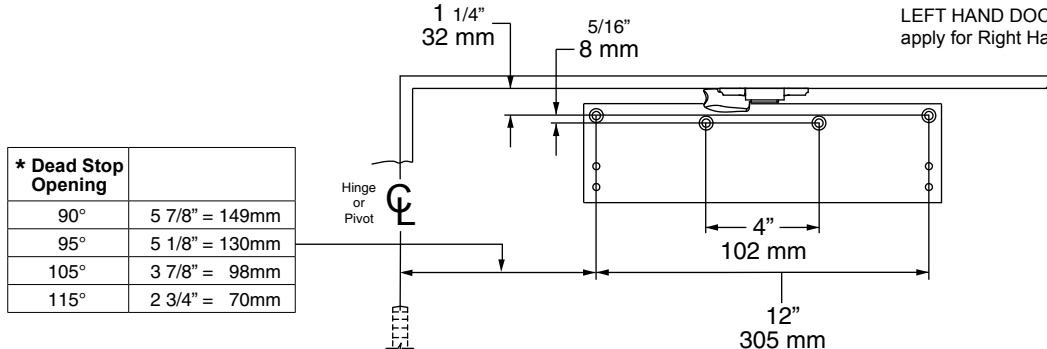
PUSH SIDE MOUNT ON:
SC80A-18PAFC DROP PLATE



General Notes:

1. Use Spring-N-Stop instruction sheet for installation sequence and closer adjustments.
2. Backcheck faces toward the hinge edge.
- ★ 3. Hold-open point is 5° less than dead stop opening.
4. Use shorter machine screws to attach cylinder to drop plate.

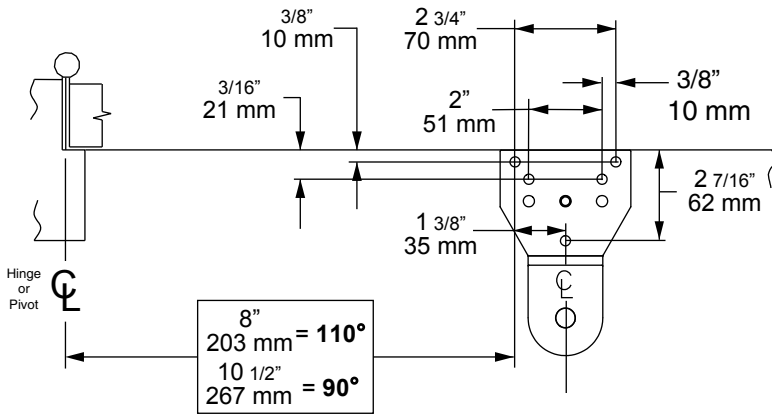
LEFT HAND DOOR ILLUSTRATED. Same dimensions apply for Right Hand Door measured from hinge side.



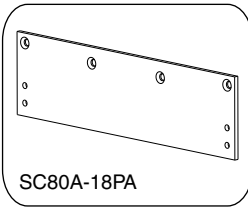
* Dead Stop Opening	
90°	5 7/8" = 149mm
95°	5 1/8" = 130mm
105°	3 7/8" = 98mm
115°	2 3/4" = 70mm

SEE FIRST PAGE FOR FASTENERS & CAUTION

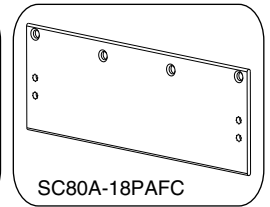
SC80A Dead Stop (or with DS Hold-Open) Arm (PARALLEL ARM DOOR MOUNT) DROP PLATE PERMITS 110° MAXIMUM OPENING, BUTT SIZE 5x5 MAXIMUM



**PUSH SIDE MOUNT ON:
SC80A-18PA DROP PLATE**



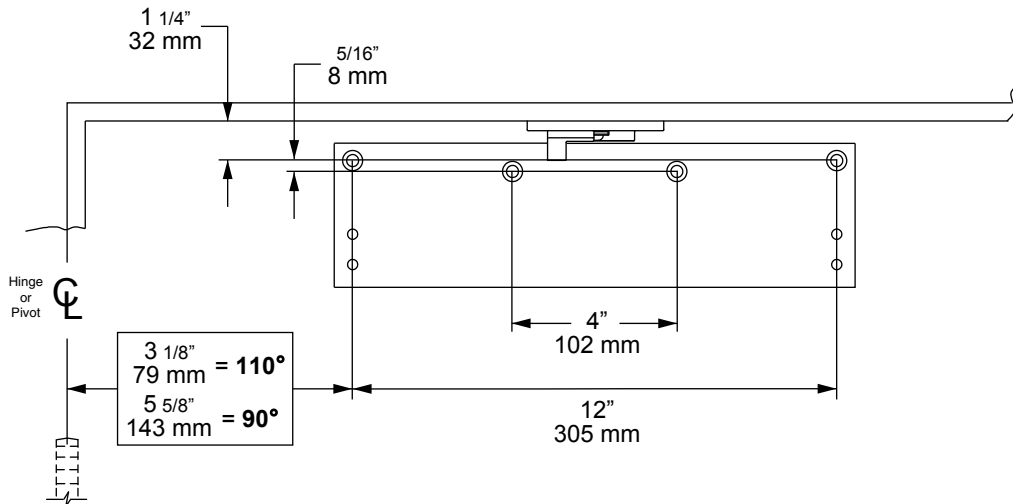
**PUSH SIDE MOUNT ON:
SC80A-18PAFC DROP PLATE**



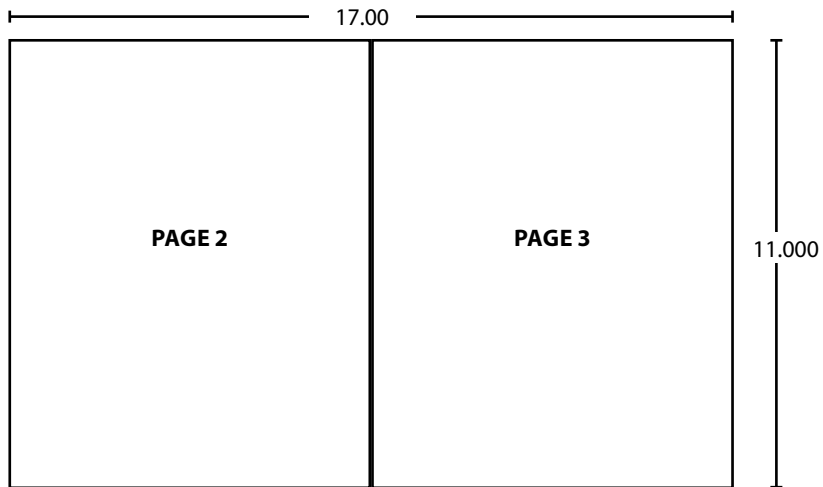
General Notes:

1. Use Dead Stop & Dead Stop Hold-Open instruction sheet for installation sequence and closer adjustments.
2. Backcheck faces toward the hinge edge.
3. Hold-open point is 4° less than dead stop point.
4. Use shorter machine screws to attach cylinder to drop plate.

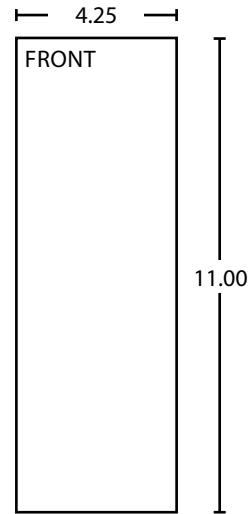
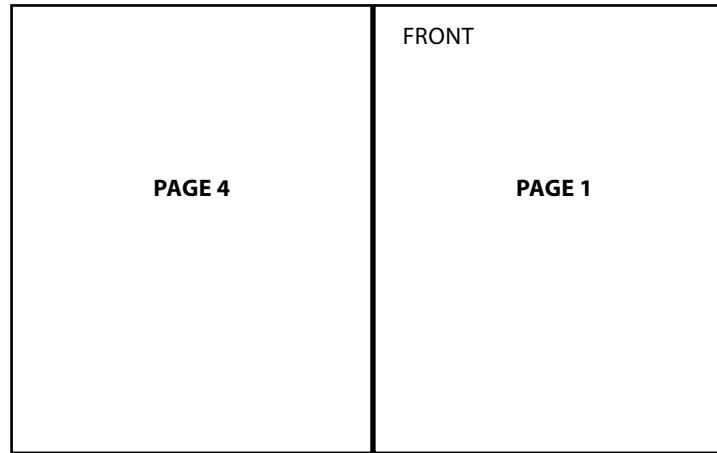
LEFT HAND DOOR ILLUSTRATED. Same dimensions apply for Right Hand Door measured from hinge side.



SEE FIRST PAGE FOR FASTENERS & CAUTION



BEGINNING SHEET



FOLDED SHEET

Additional Notes:
1. None

Revision History						Revision Description:				
B	C	D	E	F	G					
N/A	N/A	N/A	N/A	N/A	043812					
Material						Edited By	Approved By	EC Number	Release Date	
White Paper						N. Wilson	M. Roberts	070781	11-18-16	
Notes						Title				
1. printed two sides						SC80A Series Drop Plate Instruction Sheet				
2. printed black						Creation Date	Number		Revision	
3. tolerance ± .13						11-18-16	44424		A	
4. printed in country may vary						Created By	Activity			
5. drawings not to scale						N/A	3899 Hancock Expwy			
						Software: InDesign CS6	Security, CO 80911		© Allegion 2016	